



PRODUCT  
CATALOG  
ISSUE 5



**Alpha**  
TUBULAR MOTORS LLC  
MOTORIZATION MADE EASY  
2023-2024

# Motorization Made Easy!



## Who is Alpha Motors

Alpha Tubular Motors produce a very high-quality range of motorization products and accessories for indoor roller blinds, outdoor awnings, shutters and screens. Alpha offers reliable, intuitive motorization solutions with a highly competitive edge. Our focus is on genuine high-quality motorization products at a realistic price. We also boast some of the most elegant and flexible controllers on the market and our programming is super simple.

We are currently the second best-selling motor in Australia amongst the usual array of European offerings and we are the best-selling motor by far in external products. At Alpha we place great importance on doing things the right way. We make a point of being ethical in the way we do business and deal with every situation in a manner designed to keep everybody happy.

There are several reasons why everyone is switching to Alpha Motors:

- ✓ The 7 year warranty
- ✓ The unmatched service
- ✓ The ongoing support
- ✓ The same day dispatch
- ✓ The extremely competitive pricing
- ✓ Proven reliability
- ✓ Advanced technology
- ✓ The easiest programming on the market
- ✓ The best remote control options on the market
- ✓ The preferred motor of many industry giants
- ✓ Our full compliance to American standards

Our customers are happy with the all the advantages Alpha has to offer and we hope to partner with you on future projects, and that we may help you grow your business and profitability. Choose Alpha and experience the difference for yourself.

David Fezer  
Founder & President, Alpha Tubular Motors



# CONTENTS

## Tubular Motors

- Drapery Motors and Accessories ..... p 5-7
- WSER Remote Control Motors ..... p 8-18
- DC Motor Systems ..... p 13-18
- WSEC Automation System Motor ..... p 19
- WSS Mechanical Limits Motors ..... p 20-22
- Manual Override Motors ..... p 23-25

## Control Systems

- Alpha-Neo App & Link Box ..... p 26
- Remote Controls ..... p 27-29
- Keypad ..... p 30
- Wall Mount Controls ..... p 29-31
- Receivers ..... p 32
- Relay Controlled Remote ..... p 33

## Sun & Wind Sensors

- Motion Sensor ..... p 34
- Sun & Wind Sensors ..... p 35

## Accessories

- Manual Override Accessories ..... p 25
- Crown & Drive Adapters ..... p 37-49
- Brackets ..... p 50-52
- Limit Setting Device & Test Lead ..... p 53
- Cables for AC Motors ..... p 53
- Retractable Awning Motor Guide ..... p 54
- Motor Lifting Capacity Chart ..... p 55

PROUD MEMBER



**NEW**

# The Alpha Drapery System



# AC/DC drapery motors

3 year replacement warranty  
Electronic limit switch built-in receiver  
Auto end limits setting  
Soft start and soft stop

Hand operable during power-off  
Touch control  
3rd intermediate limit position

## WSCMQ AC drapery motor



## WSCMI Lithium battery drapery motor and wall mount battery pack



**ALDC  
charger required**

3.28ft connecting  
cable supplied



This new drapery motor is available in both AC (WSCMQ) and DC (WSCMI) versions.

Although very similar, there are a few main differences between the AC and DC variants.

Both are remote control motors that are compatible with all Alpha controllers and our Neo App.

Dry contact control is also available on both for use with switches or relays. Both also can be started by hand, have auto limits setting, and have the same pulling capacity of 110lbs. Both also allow the drapery to be drawn by hand if power is disconnected.

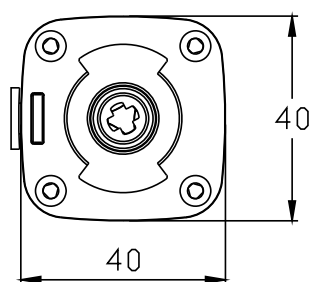
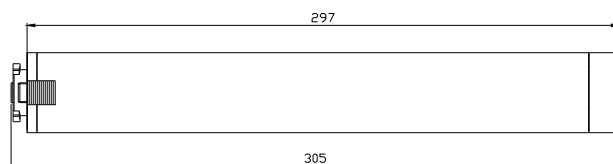
The primary differences are as follows:

- Slightly slower run speed for the DC motor 5.9in/second vs 7in/second
- AC version comes with normal tail and molex connector
- DC version comes with a wall mount cradle for the battery pack and a removable battery for easier charging



## RE306B

Plastic or steel border design  
Handheld remote  
Comes with wall holder  
CODE rolling  
FREQUENCY 433.92MHz  
POWER SUPPLY 3V battery  
TRANSMIT DISTANCE 328ft  
SIZE 4.7in x 1.7in x .47in



## Specifications

Type	AC	DC
Rated Torque (N.m)	2	2
Maximum Pulling Weight (lbs)	44	44
Running Speed (in per second)	7	5.9
Nominal Voltage (V)	240	12
Nominal Current (A)	0.47	4
Running Time	∞	∞
Protection Index (IP)	20	20
Total Length (in)	11.8	9.8
Maximum Turns	∞	∞
Net Weight (lbs)	2	1.45
RS-485 Compatible	Yes	No
Relay or Switch Control	Yes	Yes

Product Certificates



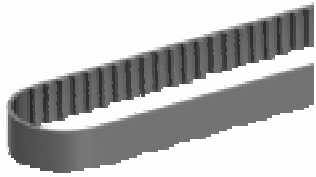
# Drapery Accessories

CMAT



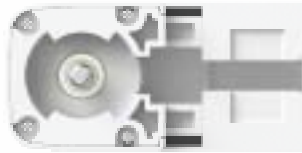
DRAPER Y TRACK  
motorized aluminium track  
9ft & 18ft lengths, white

CMA1



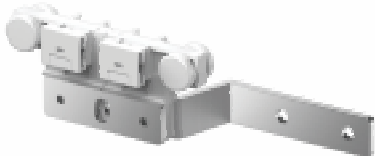
DRIVE BELT  
with high strength non-corrosive  
steel wire

CMA2J



DRIVE UNIT/IDLE  
2 per track

CMA3A



CMA3B



MASTER CARRIER

CMA3A - Rigid master carrier  
(STRAIGHT TRACK ONLY)

CMA3B - Bendable master carrier  
(FOR USE WITH CORNERS)

1 piece for one side opening  
2 pieces for center opening

CMA3F



BENDABLE MASTER CARRIER  
for S Wave  
Sold in sets of 2

CMA4



END STOP WITH HOOK

CMA5



RETURN HOOK  
2 pieces per track

# Drapery Accessories

CMA6



RUNNER

8 pieces required per 3 feet

CMA8  
(A or B)



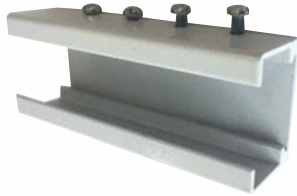
RIPPLE FOLD CARRIER WITH PENDANTS

CMA8A - 3.14in spacing (NOT SUITABLE FOR USE WITH CORNERS)

CMA8B - 2.36in spacing

CMA9

BASIC  
TRACK JOINER



CMA9A

PREMIUM  
TRACK JOINER

Almost invisible, super precise connector



CMA10/90

CORNER JOINER  
connector for 2 tracks  
at 90 degree angle



CMA10/135

CORNER JOINER  
connector for 2 tracks  
at 135 degree angle



CMA11



MOUNTING CEILING BRACKETS

CMA12



WALL BRACKETS

base only, requires an additional CMA11  
per bracket

CMA13



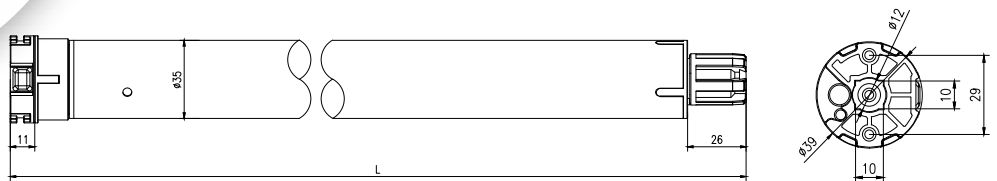
EXTENDED DOUBLE WALL BRACKET

base only, requires 2x CMA11 per bracket



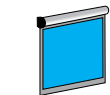
## Electronic Limit Switch

Built-in Receiver Motor  
 35mm diameter



### Specifications - 120V / 60Hz

Type	6/34	10/14
Rated Torque (Nm)	6	10
Output Speed (rpm)	34	14
Nominal Consumption (W)	103	116
Nominal Voltage (V)	120	120
Nominal Current (A)	0.88	0.49
Running Time (Min)	4	4
Protection Index (IP)	44	44
Total Length (in)	23.62	22
Maximum Turns (Turn)	∞	∞
Net Weight (lb)	3	3



Projection Screen



Roller Blind

#### Product Certificates





# WSER50

universal

7 year replacement warranty  
Electronic limit switch  
Built-in receiver  
Wireless limit setting  
External antenna

The WSER50 series universal motors are a premium motor designed specifically for external straight drop products.

Due to the torque stop function, this motor is ideal for all external drop screen systems. This protective feature can be used to stop on bottom bar impact bullets at the top limit in side channel systems and can also be used to tension the fabric when the shade is down. A top limit is set normally and the torque stop function can be used in conjunction.

The **WSER50S** 10Nm/21rpm is a short motor version for smaller applications.

It measures in a length of 20.375"



## Electronic Limit Switch Built-in Receiver Motor 45mm diameter



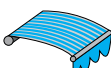
### Specifications - 120V / 60Hz

Type	10/21 SHORT MOTOR	10/33	30/16	50/16
Rated Torque (Nm)	10	10	30	50
Output Speed (rpm)	21	33	16	16
Nominal Consumption (W)	150	186	186	280
Nominal Voltage (V)	120	120	120	120
Nominal Current (A)	1.26	1.60	1.60	2.40
Running Time (Min)	4	4	4	4
Protection Index (IP)	44	44	44	44
Total Length (in)	20.375	24.80	23.62	24.80
Maximum Turns (Turn)	∞	∞	∞	∞
Net Weight (lb)	5.07	5.07	5.40	5.84

#### OPTIONAL MODEL

The Alpha 6 wire model is both a remote control and dry contact control motor.

This allows for both full RF connectivity, as well as the ability to operate via hardwire control, thus allowing for integration into various control systems or a simple doorbell button.



Awning



Roller Blind



Roller Shutter

Product Certificates



# WSER50

retractable awning motor

7 year replacement warranty  
Electronic limit switch  
Built-in receiver  
Wireless limit setting  
External antenna

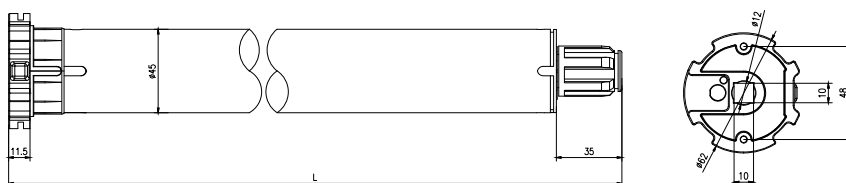
The WSER50 retractable awning motors are designed to automatically set their inner limit based on tension. It will also allow you to set the inner limit manually if you require.

When using the auto inner limit setting, the outer limit is set manually using the remote and it will find its own inner stopping position by detecting the resistance as it reaches the fully closed position the first time it is closed. After this the motor will stop in this position after detecting an increased resistance of 25% while moving.

On larger cassette awnings, 25% is sometimes not enough so you can increase this to 50%, 75% or 100% if required. It's rare to need this adjustment but it's a good feature to have.

When used with Sun/Wind sensors or Motion sensors, this motor detects a pulse from the sensor issued every 20 minutes. If the awning is out and does not receive a signal from the sensor for half an hour, it will close itself automatically as a protective measure assuming the sensor has failed or the batteries are flat.

## Electronic Limit Switch Built-in Receiver Motor 45mm diameter



This motor's safety feature is the main reason you should always choose this motor for retractable awnings if a sensor is going to be used.

Models are also available in 6 wire for both radio and dry contact control.



Awning

### Specifications - 120V / 60Hz

Type	30/16	50/16
Rated Torque (Nm)	30	50
Output Speed (rpm)	16	16
Nominal Consumption (W)	186	280
Nominal Voltage (V)	120	120
Nominal Current (A)	1.60	2.40
Running Time (Min)	4	4
Protection Index (IP)	44	44
Total Length (in)	23.62	24.80
Maximum Turns (Turn)	∞	∞
Net Weight (lb)	5.40	5.84

Product Certificates



# WSER50 OD

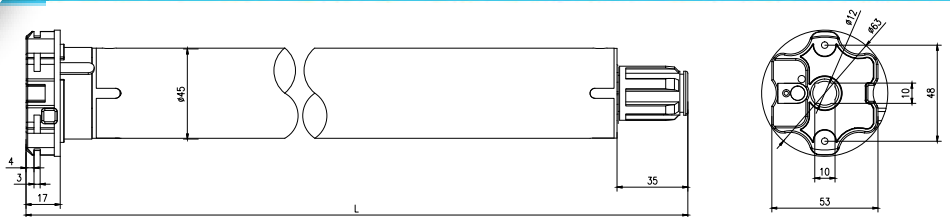
obstacle detection motor with starhead

7 year replacement warranty  
Electronic limit switch  
Built-in receiver  
Wireless limit setting  
External antenna

Designed primarily with zip style systems in mind, this motor incorporates obstacle detection in both directions. It can stop on bottom bar impact bullets at the top limit if necessary on the way up, but also, if on the way down, the motor detects that the bottom bar has stopped moving in the channel due to getting stuck or hitting an object, it will rebound to a higher point and attempt to go down again. After attempting this 3 times unsuccessfully, if it has detected an obstacle, it will return to the rebound position and stop. But if it has detected wind stopping the awning, then it will return to the top limit. This motor has a star shaped head which is different to all other Alpha motor heads, and will suit many common mountings used by various manufacturers when producing their product.

**OPTIONAL  
BLACK CORD  
AVAILABLE**

## Electronic Limit Switch Built-in Receiver Motor 45mm diameter



### Specifications - 120V / 60Hz

Type	30/21	50/16
Rated Torque (Nm)	30	<b>COMING SOON</b>
Output Speed (rpm)	21	
Nominal Consumption (W)	186	
Nominal Voltage (V)	120	
Nominal Current (A)	1.60	
Running Time (Min)	4	
Protection Index (IP)	44	
Total Length (in)	23.62	
Maximum Turns (Turn)	∞	
Net Weight (lb)	5.40	

For compatible mounting brackets, please see the A3438 and A3440 on page 50



External Zip System

### Product Certificates



# WSER60 100/15

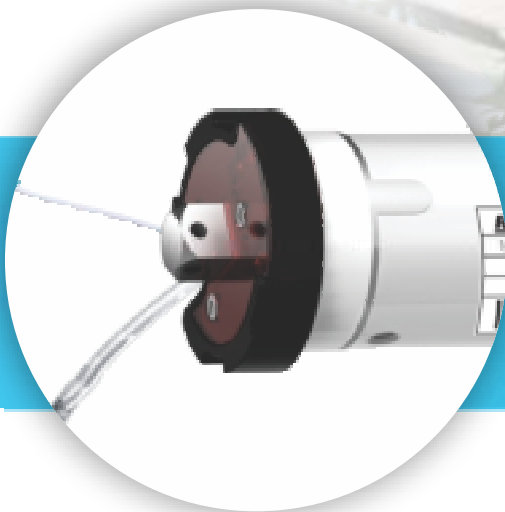
universal motor

7 year replacement warranty  
Electronic limit switch  
Built-in receiver  
Wireless limit setting  
External antenna

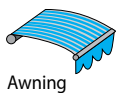
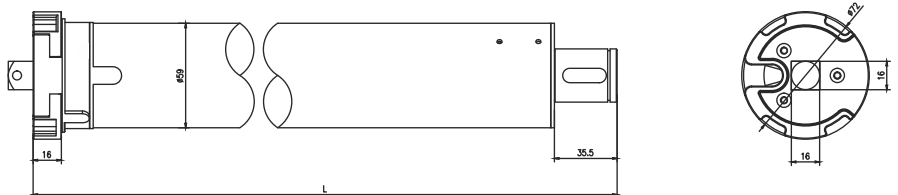
The WSER60 is the heavy duty motor within the WSER family.

Although it's a universal motor, it's compatible with extra-large retractable awnings, including the additional safety features provided by motion and wind sensors.

Due to the larger diameter of this motor, the smallest tube it can be used with is a 78mm single keyway tube, or a 70mm octagonal roller shutter tube.



## Electronic Limit Switch Built-in Receiver Motor 60mm diameter



Awning

Product Certificates



### Specifications - 120V / 60Hz

Type	100/15
Rated Torque (Nm)	100
Output Speed (rpm)	15
Nominal Consumption (W)	478
Nominal Voltage (V)	120
Nominal Current (A)	4.02
Running Time (Min)	4
Protection Index (IP)	44
Total Length (in)	29.13
Maximum Turns (Turn)	∞
Net Weight (lb)	10.47

# WSERD24

DC battery motor

Electronic limit switch  
Built-in receiver  
3rd intermediate limit position

The all new WSERD24 is super quiet with low consumption.

This motor has adjustable speed control.

Suitable for cellular, honeycomb shades and small venetian blinds.

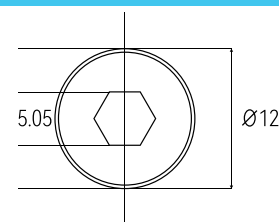
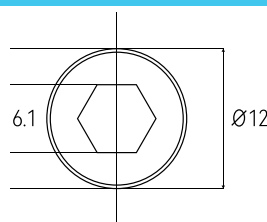
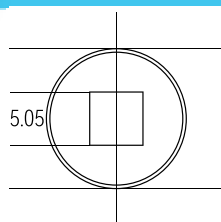
Remote Control with slide wheel to rotate blade angle.

**RE701V** 1 channel remote

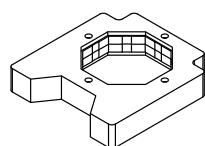
**RE703V** 6 channel remote



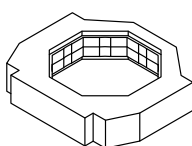
3 shaft adaptors supplied



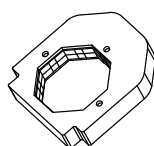
Drive adaptor supplied with request (2 required)



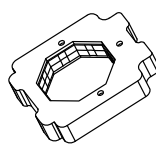
drive adaptor K



drive adaptor L



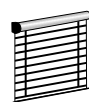
drive adaptor M



drive adaptor N



Honeycomb Blind



Venetians



## Specifications - 12V DC

Type	1.5/35
Rated Torque (Nm)	1.5
Output Speed (rpm)	35
Nominal Consumption (W)	16.8
Nominal Voltage (V)	12
Nominal Current (A)	1.4
Protection Index (IP)	20
Total Length (in)	9.21
Maximum Turns (Turn)	∞
Net Weight (lb)	0.61

Product Certificates



# WSERD30-A

hardwired DC motor

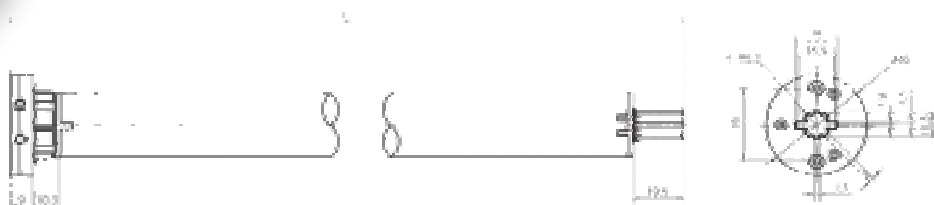
Works with AC/DC Adapter  
Electronic limit switch  
Built-in receiver  
3rd intermediate limit position

Yet another product that compliments Alpha's refined motor selection. At only 12-5/8", it is quite the power house @ 2Nm 20RPM.

As a plug and play hardwire solution the convenience of low voltage wiring make this the ideal choice for applications where is it just not feasible to recharge a battery nor in budget to run line voltage points of connections.



Requires DC005 power supply



## Specifications - 12V DC

Type	2/20
Rated Torque (Nm)	2
Output Speed (rpm)	20
Nominal Consumption (W)	11.4
Nominal Voltage (V)	12
Nominal Current (A)	0.95
Protection Index (IP)	20
Total Length (in)	12.75
Maximum Turns (Turn)	∞
Net Weight (lb)	0.70



Roller Blind



Product Certificates



# WSERD30B

## rechargeable internal battery motor

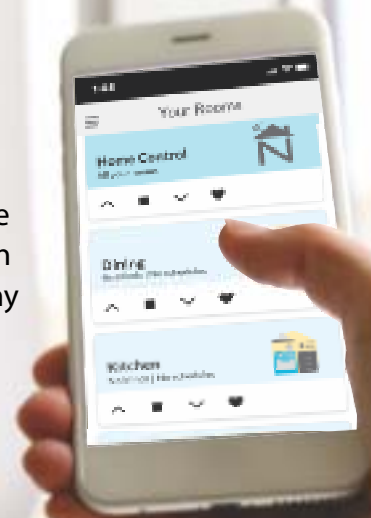
DC 12V power supply  
Built-in rechargeable Lithium battery  
Electronic limit switch  
Built-in receiver  
3rd intermediate limit position

This version of our popular battery motor has a new ground-breaking coreless DC drive inside, that is much more efficient and much quieter than other battery motors.

The WSERD30B 2/31 motor has internal lithium rechargeable batteries with approximately 12 months of an average use of 750 up/down cycles between charges on an 8'x' blind. It can be used on blinds up to 10'x10'.

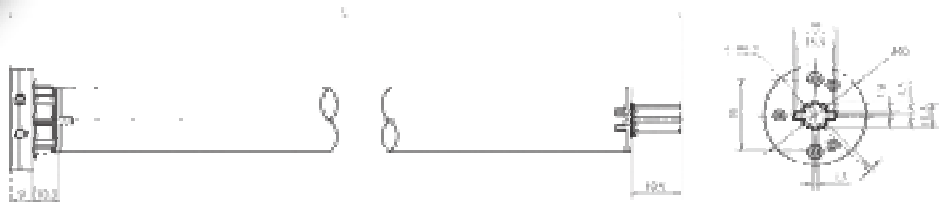
The 3Nm version of this amazing motor will lift a blind 10' high x 15' wide and the time between charges will average 8 - 12 months under normal usage.

The fittings for these motors will allow it to be used with a range of tube sizes from 30-50mm in diameter. All of the charging intelligence is taken care of inside the motor, not by a 3rd party charger. This eliminates many of the issues experienced by other brands of DC motors. The motor will indicate both when charging is required, and completed. It cannot be overcharged and it will not start to discharge when the batteries are full as other brands may do. The charger plugs directly into the motor head so there is no need for an unsightly charging cable.



### ALDC charger required

- \* Charger comes with 13ft cable.
- \* 10ft extension cable also available.
- \* Motor comes with 20cm charging tail for optional use, in case the motor head is difficult to access after installation.



### Specifications - DC

Type	1/30	2/31	3/20
Rated Torque (N.m)	1	2	3
Output Speed (rpm)	30	31	20
Nominal Consumption (W)	11	15.6	15.3
Nominal Voltage (V)	7.4	12	12
Nominal Current (A)	1.5	1.5	1.5
Running Time (Min)	∞	∞	∞
Protection Index (IP)	20	20	20
Total Length (in)	18.1	20	20
Maximum Turns (Turn)	∞	∞	∞
Net Weight (lb)	1.06	1.2	1.2



Roller Blind

### Product Certificates



# WSERD30T

100-240VAC motor

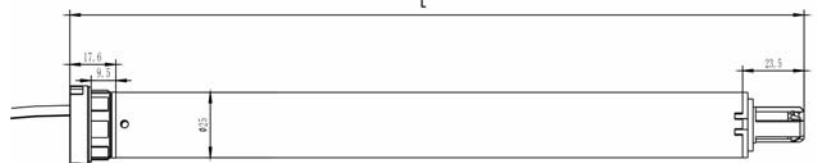
AC 120-240V power supply  
Built-in transformer  
Electronic limit switch  
Built-in receiver  
Tilting to adjust light  
3rd intermediate limit position

## SMALL and QUIET

Alpha's new WSERD30T motor delivers optimal performance.

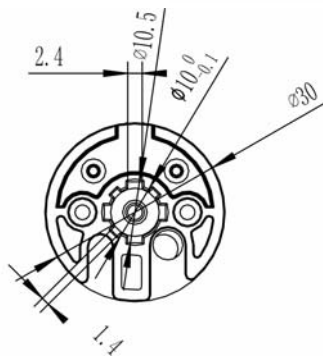


- Push button programming.
- Compact design.
- Quiet.
- 25mm diameter



### Specifications

Type	2/31
Rated Torque (N.m)	2
Maximum Pulling Weight (kg)	31
Nominal Consumption (W)	13.6
Nominal Voltage (V)	100-240
Nominal Current (A)	0.24
Running Time	4 min
Protection Index (IP)	20
Total Length (in)	17.7
Maximum Turns	∞
Net Weight (lbs)	1.1
Relay or Switch Control	Yes



Roller Blind

Product Certificates





# WSERD40B

rechargeable internal battery motor

3 year replacement warranty  
Built-in rechargeable Lithium batteries  
Electronic limit switch with Built-in receiver  
3rd intermediate limit position

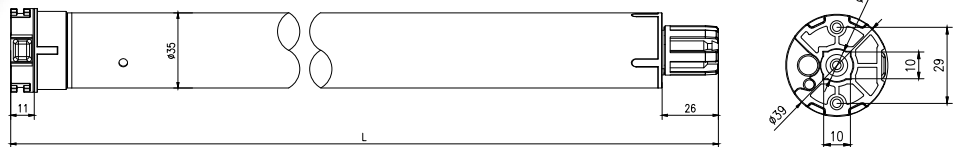


The market talked and we listened! Alpha is proud to introduce an indoor **and** outdoor rated 5Nm rechargeable. It is suitable for certain external screens, yet retains a sleek mounting head for refined interior applications. It is the ideal solution for wide spanning shading systems that demand power and speed without the need for an electrician. Like all other Alpha radio products, it is compatible with all Alpha controls and integration devices.

Can be combined with TYB006 Solar Panel.

## ALDC charger required

- \* Charger comes with 13ft cable.
- \* 10ft extension cable also available.
- \* Motor comes with 20cm charging tail for optional use, in case the motor head is difficult to access after installation.

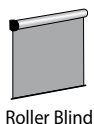


## Specifications - 12V DC

Type	5/28	10/14
Rated Torque (Nm)	5	10
Output Speed (rpm)	28	14
Nominal Consumption (W)	42	36
Nominal Voltage (V)	12	12
Nominal Current (A)	3.5	3.5
Running Time (Min)	∞	∞
Protection Index (IP)	44	44
Total Length (in)	24	24
Maximum Turns (Turn)	∞	∞
Net Weight (lb)	3	3



The 5/28 is able to lift  
18' x 7'6" drop.  
It's reliable and delivers  
smooth, quiet operation.



Roller Blind

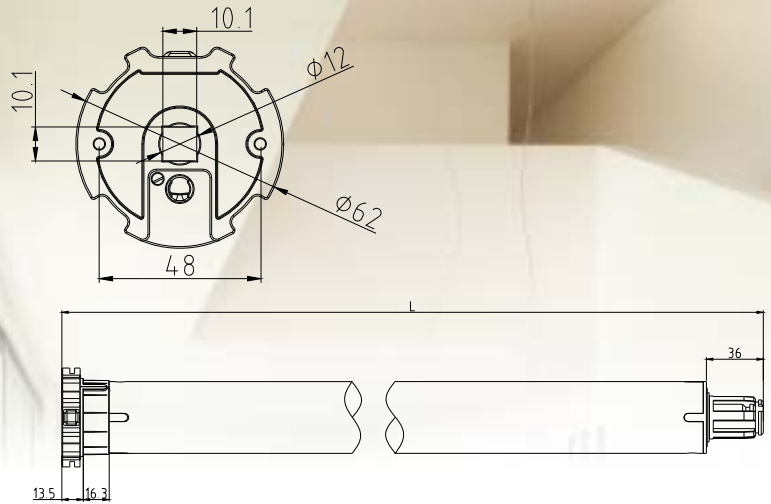
Product Certificates



# WSERD50

battery & solar motor

3rd intermediate limit position  
Low power consumption  
Soft start and soft stop  
Electronic Limit Switch

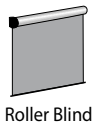


## Specifications - 12V DC

Type	15/12
Rated Torque (Nm)	15
Output Speed (rpm)	12
Nominal Consumption (W)	96
Nominal Voltage (V)	12
Nominal Current (A)	8
Protection Index (IP)	44
Total Length (in)	22.24
Maximum Turns (Turn)	∞
Net Weight (lb)	4.50



*Use Pioneer Series Remotes for greater responsiveness*



Roller Blind



Roller Shutter

## TYB002 Solar panel and battery pack for WSERD50 (Optional power source)

The WSERD50 works in conjunction with our solar panel/battery pack, model number TYB002.

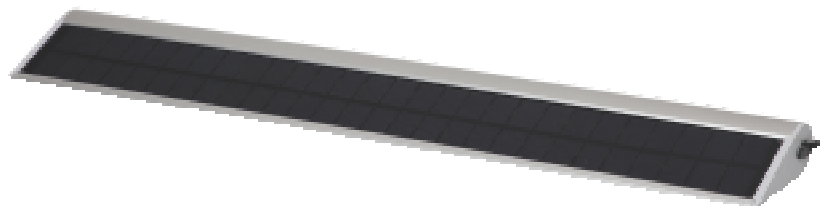
The solar panel has lithium batteries and a storage capacity of 4400mAh.

The batteries will be recharged in a few hours by connecting an external charger to the unit.

- Tear drop design
- Monocrystalline silicone material
- Nominal capacity 4400 mAh
- Charging voltage 16.8v/1A
- Charging time 8 hours
- Output voltage 11.1v/4.5A
- Working temperature 14°F to 113°F
- Protection index IP55
- Dimensions 21.5" x 3.5" x 1"

### PLEASE NOTE:

**10ft extension cables are available**



Product Certificates



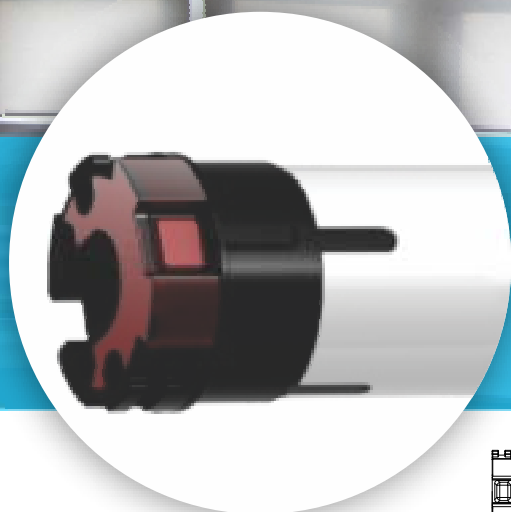
# WSEC40

universal

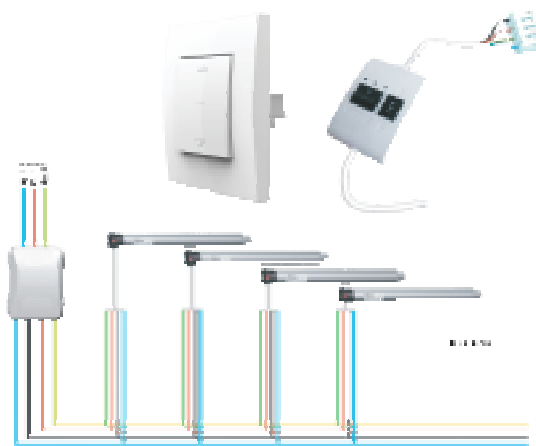
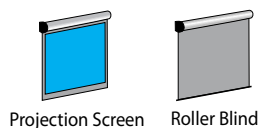
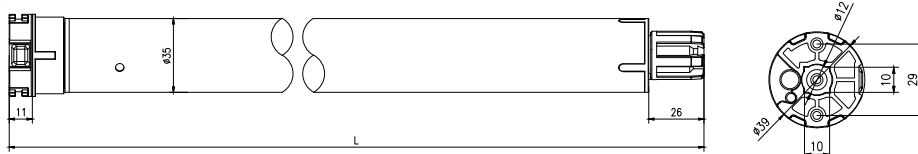
7 year replacement warranty  
Electronic limit switch  
For use with building management systems  
Parallel wiring compatible  
Counter balanced noise suppression

The WSEC40 is an electronic limits 4 core motor that will allow multiple motors to be parallel wired together. The number is only restricted by the power source feeding them.

Limits may be set by using either the WSB11 limit setting tool or by using the button on the motor head.



## Push Button Type Electronic Limit Switch Parallel Connector Motor - 35mm diameter



### Specifications - 120V / 60Hz

Type	6/34
Rated Torque (Nm)	6
Output Speed (rpm)	34
Nominal Consumption (W)	103
Nominal Voltage (V)	120
Nominal Current (A)	0.88
Running Time (Min)	4
Protection Index (IP)	44
Total Length (in)	23.62
Maximum Turns (Turn)	∞
Net Weight (lb)	2.98

### Product Certificates

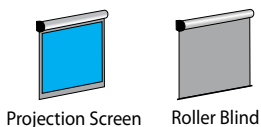
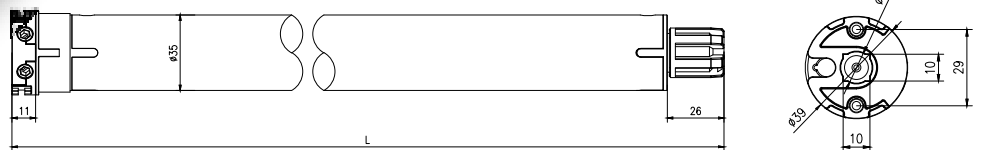
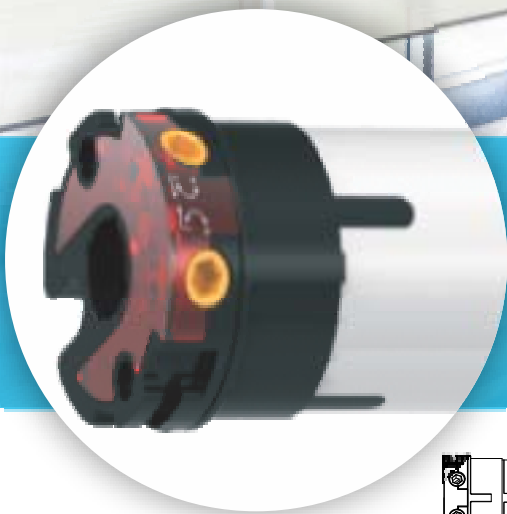


The WSS40 is a basic 4 core motor for when you want a reliable workhorse without any bells and whistles and switch operation.

Unlike the WSEC Series motors, these motors cannot be parallel wired.

## Standard Type Motor

35mm diameter



### Specifications - 120V / 60Hz

Type	6/34
Rated Torque (Nm)	6
Output Speed (rpm)	34
Nominal Consumption (W)	103
Nominal Voltage (V)	120
Nominal Current (A)	0.88
Running Time (Min)	4
Protection Index (IP)	44
Total Length (in)	20.08
Maximum Turns (Turn)	27
Net Weight (lb)	2.86

### Product Certificates



# WSS50

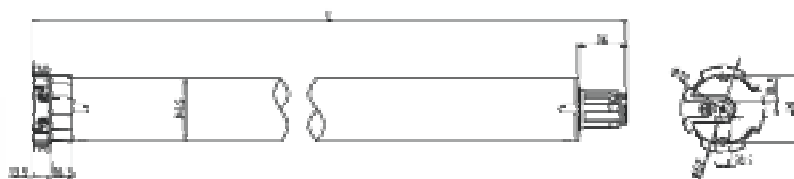
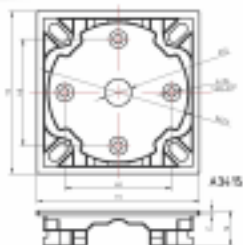
7 year replacement warranty  
Standard type  
Mechanical switch

The WSS50 is a basic 4 core motor for when you want a reliable workhorse without any bells and whistles and switch operation.



## Standard Type Motor

45mm diameter



### Specifications - 120V / 60Hz

Type	30/16	50/16
Rated Torque (Nm)	30	50
Output Speed (rpm)	16	16
Nominal Consumption (W)	186	280
Nominal Voltage (V)	120	120
Nominal Current (A)	1.60	2.40
Running Time (Min)	4	4
Protection Index (IP)	44	44
Total Length (in)	22.44	22.44
Maximum Turns (Turn)	27	27
Net Weight (lb)	5.29	5.73



Awning



Roller Blind



Roller Shutter



#### Product Certificates



# WSS60 100/15

59mm motor

7 year replacement warranty  
Built in receiver  
Mechanical limits

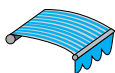


## Standard Type Motor

59mm diameter

WSS60 is a basic 4 core motor.

This motor is great for projects that need a workhorse motor that operates with a wall switch.



Awning



Roller Door

Product Certificates



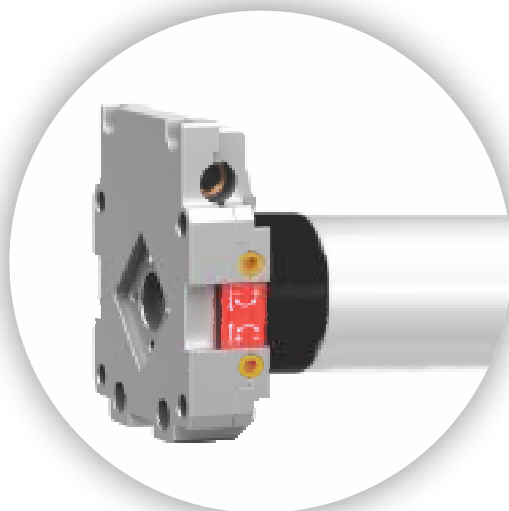
### Specifications - 120V / 60Hz

Type	100/15
Rated Torque (Nm)	100
Speed (rpm)	15
Nominal Consumption (W)	478
Nominal Voltage (V) AC	120
Nominal Current (A)	4.02
Running Time (Min)	4
Protection Index (IP)	44
Total Length (in)	24.4
Maximum Turns (Turn)	27
Net Weight (lb)	10.7

# WSM50 50/16

manual override

7 year replacement warranty  
Standard type  
Mechanical switch



This is a mechanical limits motor, with the addition of manual override. This feature allows a roller shutter or awning to be operated by a crank handle in the event of a power failure. This feature is to allow for emergency operation only and is not suitable for general usage.

**PLEASE NOTE  
for eyelet and crank handle  
options please see page 25**

## Specifications - 120V/60Hz

Type	50/16
Rated Torque (N.m)	50
Output Speed (rpm)	16
Nominal Consumption (W)	280
Nominal Voltage (V)	120
Nominal Current (A)	2.40
Running Time (Min)	4
Protection Index (IP)	44
Total Length (in)	24.8
Maximum Turns (Turn)	27
Override Turn Ratio	45:1
Net Weight (lb)	7.28



Roller Shutter



Awning



Product Certificates



# WSME60 100/15

manual override

7 year replacement warranty  
Standard type  
Mechanical switch



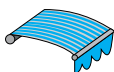
This is a mechanical limits motor, with the addition of manual override. This feature allows a roller shutter or awning to be operated by a crank handle in the event of a power failure. This feature is to allow for emergency operation only and is not suitable for general usage.

## Specifications - 120V / 60Hz

Type	100/15
Rated Torque (N.m)	100
Output Speed (rpm)	15
Nominal Consumption (W)	478
Nominal Voltage (V)	120
Nominal Current (A)	4.02
Running Time (Min)	4
Protection Index (IP)	44
Total Length (in)	33.9
Maximum Turns (Turn)	27
Net Weight (lb)	13.6



Roller Shutter



Awning



Product Certificates



# WSME50

manual override

7 year replacement warranty  
Standard type  
Mechanical switch  
Built-in receiver



The WSME50 is a remote control version of a mechanical limits motor, with the addition of manual override. This feature allows a roller shutter or awning to be operated by a crank handle in the event of a power failure. The manual override feature is to allow for emergency operation only and is not suitable for general usage.

**PLEASE NOTE**  
for eyelet and  
crank handle  
options please  
see page 25

## Specifications - 120V / 60Hz

Type	50/16
Rated Torque (Nm)	50
Output Speed (rpm)	16
Nominal Consumption (W)	280
Nominal Voltage (V)	120
Nominal Current (A)	2.40
Running Time (Min)	4
Protection Index (IP)	44
Total Length (in)	28.74
Maximum Turns (Turn)	27
Net Weight (lb)	9.48



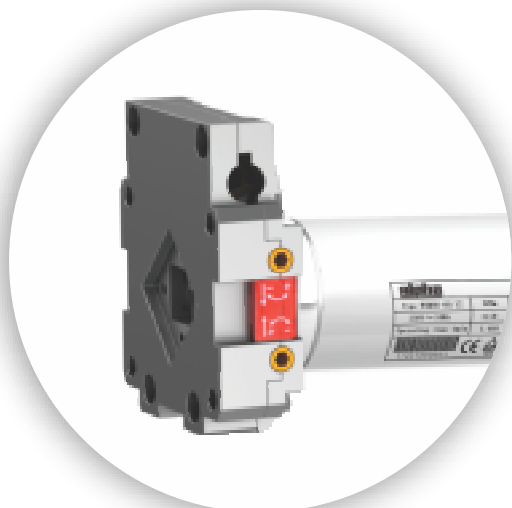
Product Certificates



# WSME60

manual override

7 year replacement warranty  
Standard type  
Mechanical switch  
Built-in receiver



The WSME60 is a remote control version of a mechanical limits motor, with the addition of manual override. This feature allows a roller shutter or awning to be operated by a crank handle in the event of a power failure. The manual override feature is to allow for emergency operation only and is not suitable for general usage.

## Specifications - 120V / 60Hz

Type	140/11
Rated Torque (Nm)	140
Output Speed (rpm)	11
Nominal Consumption (W)	478
Nominal Voltage (V)	120
Nominal Current (A)	4.02
Running Time (Min)	4
Protection Index (IP)	44
Total Length (in)	33.9
Maximum Turns (Turn)	27
Net Weight (lb)	13.6



Product Certificates

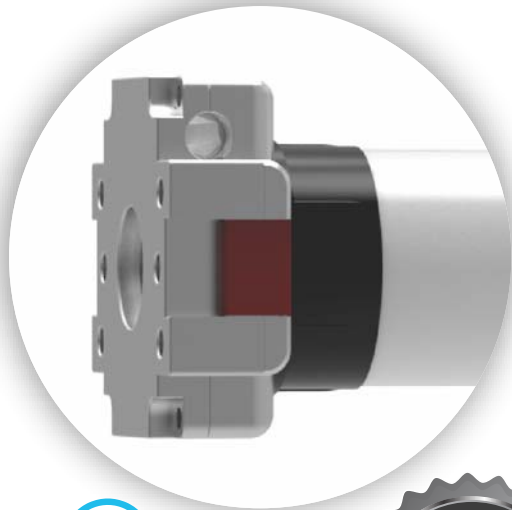




# WSME50 ELECTRONIC

manual override with electronic limits

7 year replacement warranty  
Electronic limit switch  
Built-in receiver  
Wireless limit setting  
External antenna



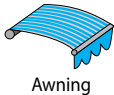
This motor has manual override and electronic limits. Unlike most override motors, the electronic limits allow easy installation and programming, as well as the flexibility to be used in cassette systems that block access to typical mechanical limit mechanisms on conventional manual override motors.

This motor has a smaller head with threaded holes for direct mounting.

**LED VERSION  
COMING SOON**

## Specifications - 120V / 60Hz

Type	50/16
Rated Torque (Nm)	50
Output Speed (rpm)	16
Nominal Consumption (W)	280
Nominal Voltage (V)	120
Nominal Current (A)	2.40
Running Time (Min)	4
Protection Index (IP)	44
Total Length (in)	25.80
Maximum Turns (Turn)	∞
Net Weight (lb)	5.84



Awning



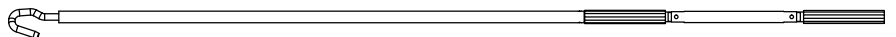
Product Certificates



## Manual Override Motor Accessories

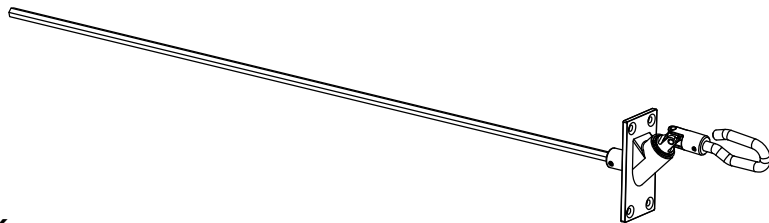
### A3018 Hook Hand Crank

5ft length



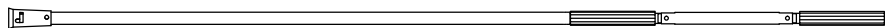
### A3025-02 Hook Eyelet

for A3018



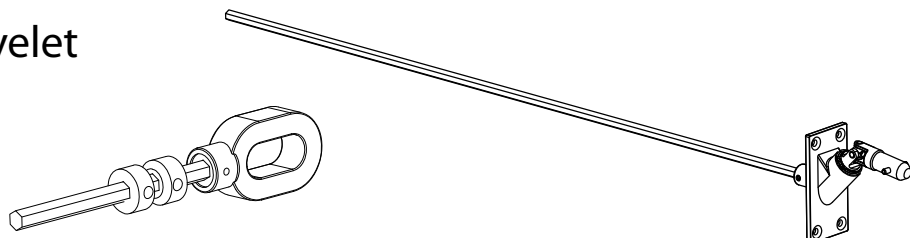
### A3018K Bullet Hand Crank

5ft length



### A3025-03 Bullet Eyelet

for A3018K



### A3047 Eyelet

available in either 4", 6" & 12" shaft length

# Alpha-Neo App & Link Box

## ALPHA<sup>NEO</sup>

App integration  
made easy

 matter



Control4



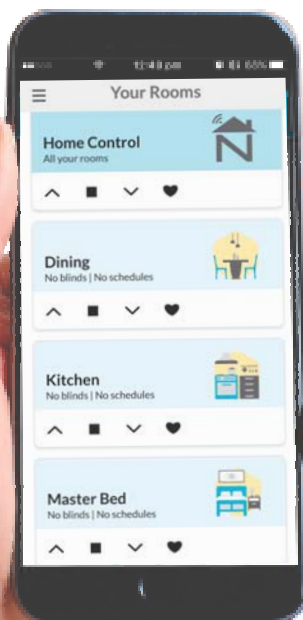
SAVANT

CRESTRON



This app is extremely versatile and easy to set up. It controls motorized products individually, or by area, or the whole house at once from anywhere in the world with an internet connection. All functionality can be scheduled to operate automatically.

Simply purchase the link box and download the free app for either Android or Apple. This app is compatible with all Alpha remote control motors. There is no limit to the number of control devices you can connect. There are 30 control groups (rooms) available and you can add up to 8 blinds per group. Additionally, you can create up to 40 schedules to automate functionality.



## Specifications

Type	
Nominal Voltage (V)	5
Nominal Current (A)	1
Frequency MHz	433.92
Code Type	Rolling
Power Requirements	5V DC
Number of Channels	Max 240
Total Length (in)	2.95
Total Width (in)	2.36
Total Height (in)	0.98

Alpha's Pioneer series remote controls have a new sleeker look and wall holder design. The other big change is the addition of a battery cover, so there is no more need to un-screw the back to change the battery. Available in single or 4 channel versions without a screen, or 4, 8 or 16 channel versions with a screen, as well as single and 4 channel options with timers. Incorporating soft silicone rubber edges and buttons, this is a great remote for use with external products where being a bit more bounce proof is an advantage. All Alpha remotes and receivers are inter-compatible. Remotes now have an easy access battery compartment.



### Single Channel



## RE101

### Specifications

<b>Channels</b>	<b>1</b>
Frequency (MHz)	433.92
Codes	Rolling
Wall Mount	Yes

### 4 Channel



## RE102

### Specifications

<b>Channels</b>	<b>4</b>
Frequency (MHz)	433.92
Codes	Rolling
Wall Mount	Yes

With the 4, 8 & 16 channel remotes you can control 4, 8 or 16 different motors or receivers separately or any group among them.

The 4T is a 4 channel variant which can set up 8 different open/close times and also select days of the week.



## RE103

### Specifications

<b>Channels</b>	<b>4, 8, 16, 4T</b>
Frequency (MHz)	433.92
Codes	Rolling
Wall Mount	Yes

### Keyring Remote



## RE110

### Specifications

<b>Channels</b>	<b>1</b>
Frequency (MHz)	433.92
Codes	Rolling

The Navigator series has an elegant and simple design featuring stainless steel edge trim and a near invisible magnetic wall mount. The stainless finish is much more than simply a trim on the edge. It's actually a solid steel chassis to which the front and back panels are attached. This gives the remote a great deal of structural strength, but additionally adds a significant feel of weight and quality in the hand that customers often notice. Available in single and 5 channel without screens, and 4, 8 and 16 channel with screens as well as single and 4 channel options with timers.



## RE301

### Specifications

<b>Channels</b>	<b>1</b>
Frequency (MHz)	433.92
Codes	Rolling
Magnetic Wall Mount	Yes



## RE302

### Specifications

<b>Channels</b>	<b>5</b>
Frequency (MHz)	433.92
Codes	Rolling
Magnetic Wall Mount	Yes



## RE303

### Specifications

<b>Channels</b>	<b>4, 8, 16 1T, 4T</b>
Frequency (MHz)	433.92
Codes	Rolling
Magnetic Wall Mount	Yes

With the 4, 8 & 16 channel remotes you can control 4, 8 or 16 different motors or receivers separately or any group among them.

The 1T & 4T are single and 4 channel variants, either of which can set up 8 different open/close times and also select days of the week.



This series of controllers are surface mounted and designed to suit Decorator wall plates.

*(Decorator wall plate not included)*



Single channel

*(Decorator wall plate not included)*



4 channel  
wall mount remote  
with 25%, 50% and 75%  
between limit selection

*(Decorator wall plate not included)*

## RE601-i-PLUS

### Specifications

<b>Channels</b>	<b>1</b>
Frequency (MHz)	433.92
Codes	Rolling
Wall Mount	Decora

## RE602-i-PLUS

### Specifications

<b>Channels</b>	<b>4</b>
Frequency (MHz)	433.92
Codes	Rolling
Wall Mount	Decora



The Alpha Keypad remote is a great way to provide additional security to a point of entry for a blind or shutter. When use of a blind, awning or shutter needs to be restricted, this is a great solution.

Simply setup the keypad remote with your own personal code between 5 – 16 digits. Then when you want to control the product, simply enter the code, then issue the desired command. The Keypad will then time out back to locked mode after 30 seconds. This item is of course compatible with all our remote control motors and receivers.

## KEYPAD

### Specifications

Frequency (MHz)	433.92
Codes	Rolling
Protection Index	IP44
Power	CR2032
Transmit Distance (m)	100
Dimensions (mm)	93x77x11

Product Certificates

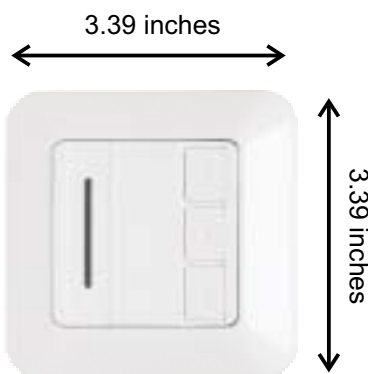


# Wall Mount Controls



## RE201

ideal control  
for drapery  
systems

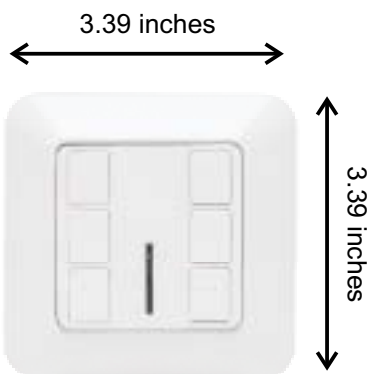


### Specifications

<b>Channels</b>	<b>1</b>
Frequency (MHz)	433.92
Codes	Rolling
Wall Mount	Yes

## RE202

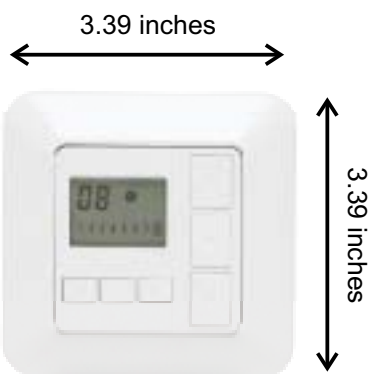
ideal control  
for dual shade  
control



### Specifications

<b>Channels</b>	<b>2</b>
Frequency (MHz)	433.92
Codes	Rolling
Wall Mount	Yes

## RE203-8C

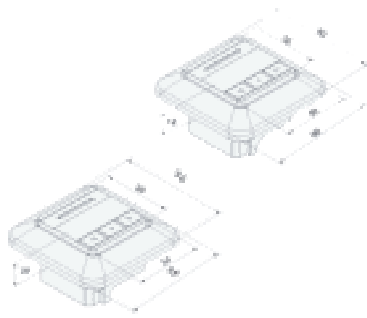
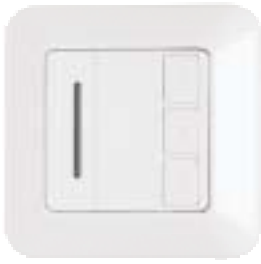


### Specifications

<b>Channels</b>	<b>8</b>
Frequency (MHz)	433.92
Codes	Rolling
Wall Mount	Yes

# Receivers

## RC201

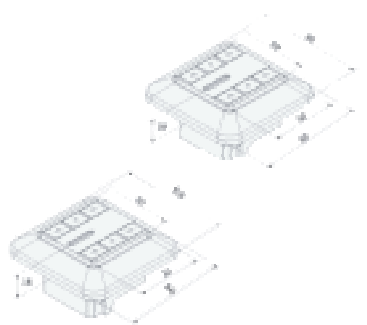


### Specifications

<b>Connect with motor</b>	<b>up to 3 units</b>
Frequency (MHz)	433.92
Codes	Rolling
Receiver Power	400W
Voltage	230V 50Hz

Able to operate with a maximum of 15 remotes

## RC202



### Specifications

<b>Connect with motor</b>	<b>2 units</b>
Frequency (MHz)	433.92
Codes	Rolling
Receiver Power	600W
Voltage	230V 50Hz

Able to operate with a maximum of 15 remotes

## RC006



### Specifications

<b>Connections for motors</b>	
Frequency (MHz)	433.92
Codes	Rolling
Voltage	120V 60Hz

Able to operate with a maximum of 15 remotes

## RC007

perfect control  
option for garage  
doors with  
photo-eye  
option



### Specifications

<b>Connections for motors</b>	<b>1</b>
Frequency (MHz)	433.92
Codes	Rolling
Voltage	120V 60Hz

Wall mount receiver for high capacity motors with up to 1600 watts current draw. Suitable for all Alpha 4 core motors. Has the option of lighting control with up 500 watts output. Can be used with up to 15 remote controls.



**AUTOMATION  
SYSTEM CONTROL  
OF REMOTE  
CONTROL  
MOTORS**



This device is a single channel remote control that plugs into a power point for permanent power and is controlled by connecting the device to relays in a control system or other switches. There are 4 wires connected this item: common, up, stop, and down. When the common wire comes into contact with any of the control wires, the function for that wire will be sent out to any WSER series motors or remote receivers this device is assigned to.

This device allows remote control Alpha motors to be operated by a huge variety of building management systems, automation equipment, press buttons or key turn switches as well as a remote control. This device is not practical for use in setting up the motors it will control. This must be done with a standard remote and the RE-DCE can be assigned to the motor separately for additional control options.

When planning your job with this item, only allow for connection to relays or switches that make contact as long as a button or switch is pressed and release automatically afterwards. Do not use rotary switches or switches that lock into position as the item will continue to send out the signal for as long as contact is made. This could produce unwanted results.



Product Certificates



## RE-DCE

### Specifications

<b>Channels</b>	<b>1</b>
Frequency (MHz)	433.92
Codes	Rolling
Wall Mount	Yes
Voltage	120V 60Hz

# RS005 Motion Sensor

for retractable awnings

*Available in black or white*



This item attaches to the front channel of a retractable awning at either end. It measures the angle of the front bar and the amount of movement created by wind. When the sensitivity setting is reached, it sends a signal to the awning to close.

When used with a retractable awning motor, it will send a pulse to the motor a few times an hour telling the motor it's there and working. If the motor stops detecting this pulse due to drained batteries or failure, it will automatically retract the awning after about half an hour to both protect the awning and to alert the owner that the motion sensor is not working. Once the pulse is restored (usually by installing new batteries) normal operation will resume.



Although this item will control a Universal motor, the Universal motor does not have the extra protective functions mentioned above if the item stops sending the pulse. The motion sensor is a more reliable method of protection than the Sun/Wind sensors as it responds to actual physical movement of the front bar and not the wind speed detected by a device mounted nearby.

This unit has 9 pre-determined sensitivity settings.

**Cannot be used in conjunction with Sun/Wind Sensors.**

**RS005W** (white)

**RS005B** (black)

Specifications

Frequency (MHz)	433.92
Codes	Rolling
Protection Index	IP44
Power	2x AAA Batteries



Product Certificates



# Solar Sun and Wind Sensors

wired & wireless

These devices cannot be used in conjunction with Motion Sensors

## RS001

### Solar wind & sun sensor

The RS001 cannot be used in conjunction with Motion Sensors

#### Specifications

Frequency (MHz)	433.92
Codes	Rolling
Protection Index	IP44
Display	LED
Power	Solar Panel & Rechargeable Battery

- Programmable with 5 wind speed and 9 light intensity settings
- Usable as sun and wind sensor where wind overrides sun
- Sun sensor can be disabled if required
- For use with WSER Series motors



## RS102

### Internal sun sensor

#### Specifications

Frequency (MHz)	433.92
Codes	Rolling
Protection Index	IP44
Display	LED
Power	3V Lithium Battery (CR2032)

- 3 fixed and 1 user setting.
- Includes timer functions that allow 8 up and down timed operations.



# Accessories



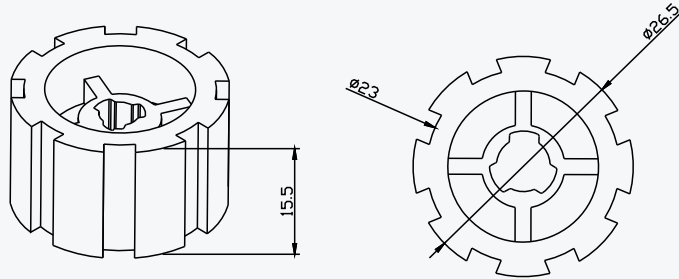
***alpha***

# Crown & Drive Adapters

\*Measurements listed are in millimeters

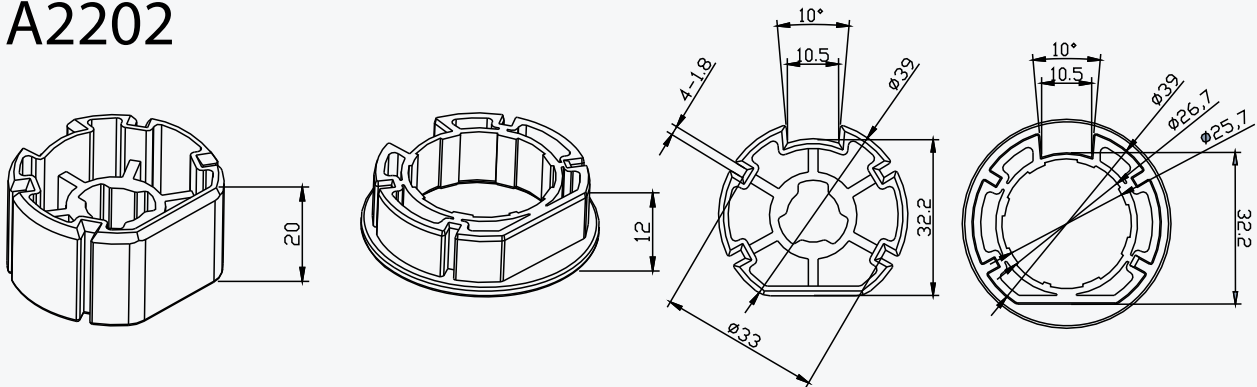
## 25mm MOTOR DRIVE ADAPTER SETS

### A2201

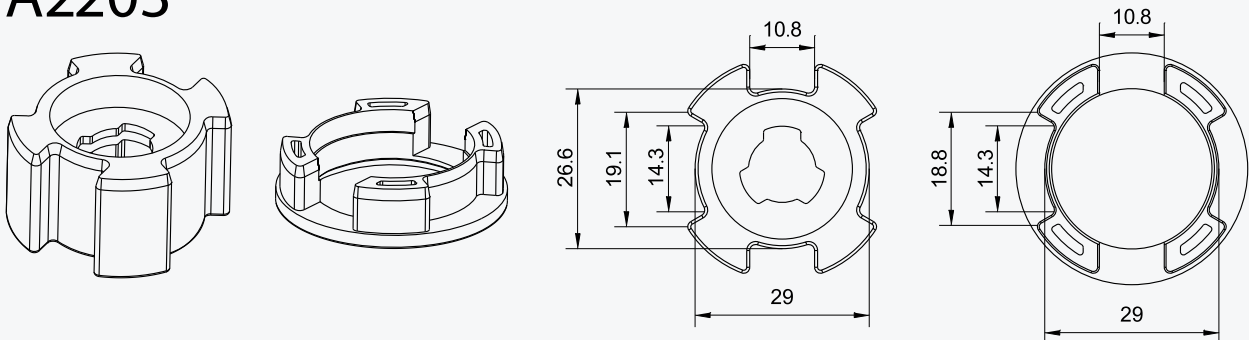


No crown required

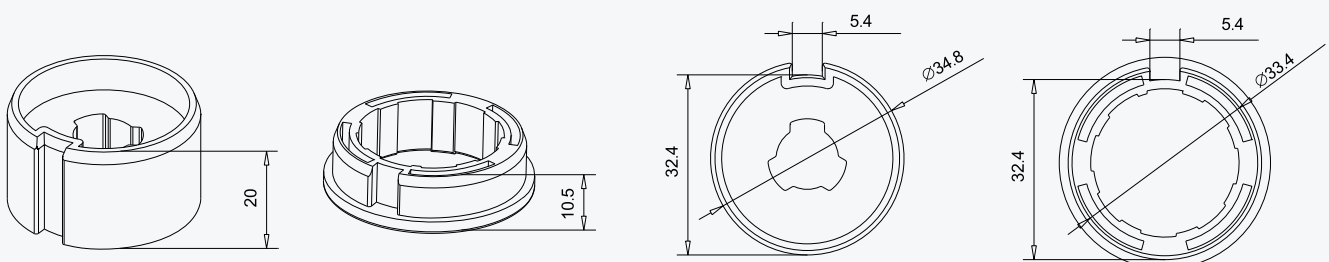
### A2202



### A2203



### A2204

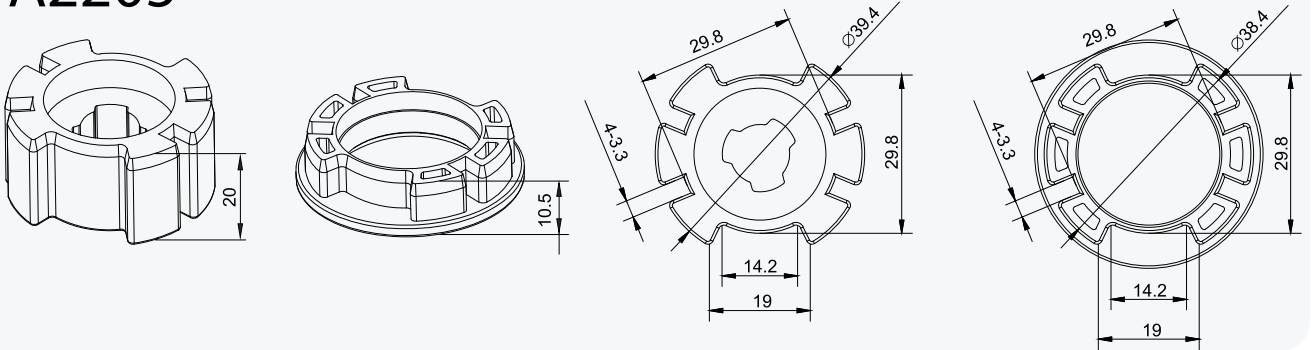


# Crown & Drive Adapters

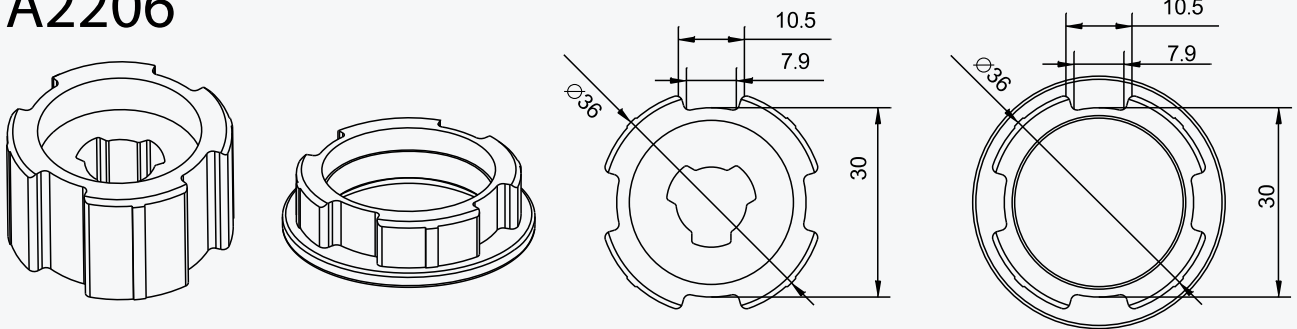
\*Measurements listed are in millimeters

## 25mm MOTOR DRIVE ADAPTER SETS

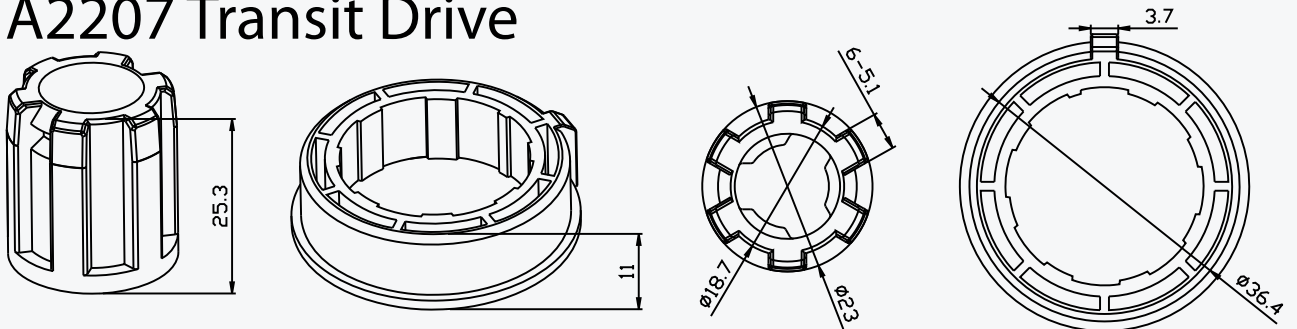
### A2205



### A2206

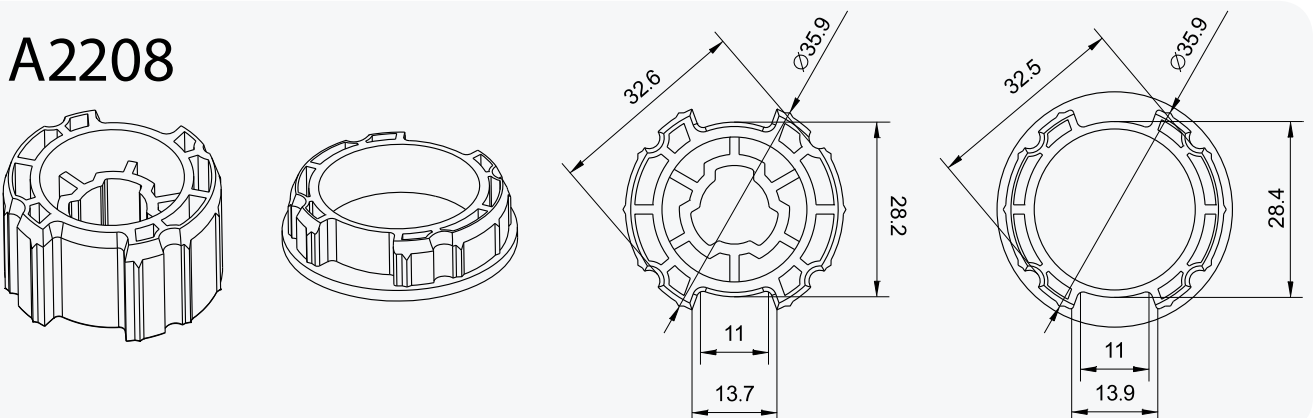


### A2207 Transit Drive



These are adapters to allow connection of our 35mm motor fittings onto a 25mm motor.

### A2208

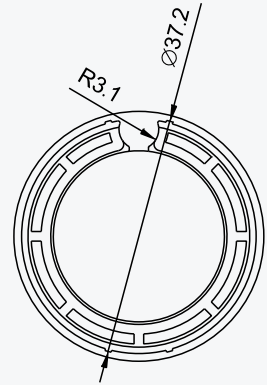
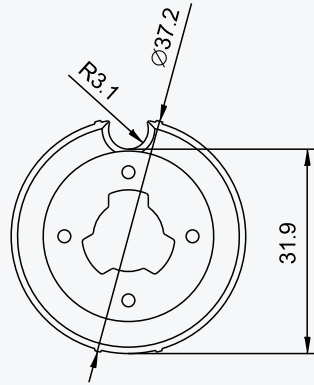
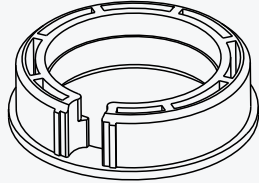
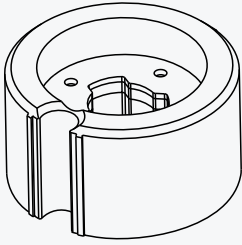


# Crown & Drive Adapters

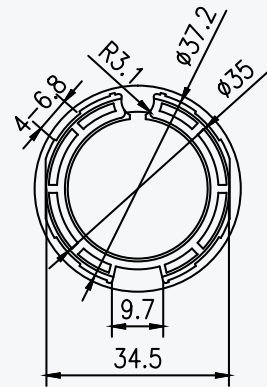
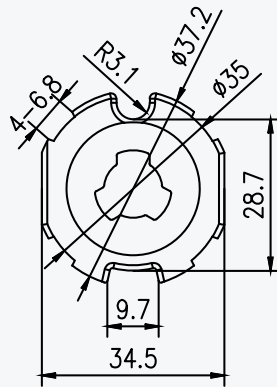
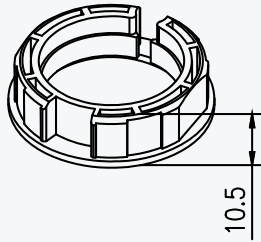
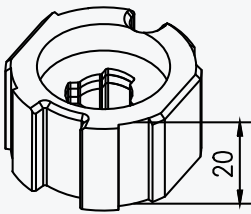
\*Measurements listed are in millimeters

## 25mm MOTOR DRIVE ADAPTER SETS

### A2213

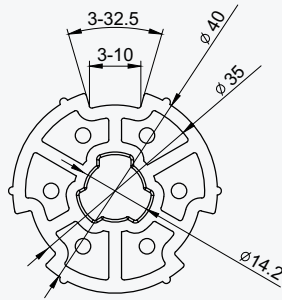
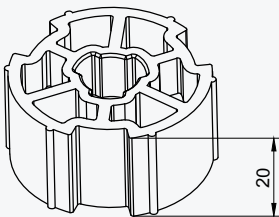


### A2214

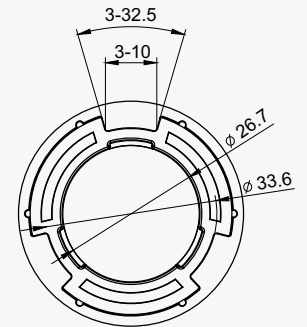
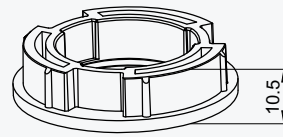


### A2216

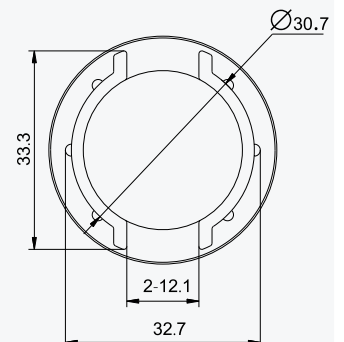
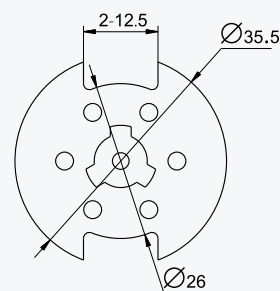
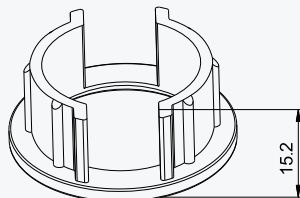
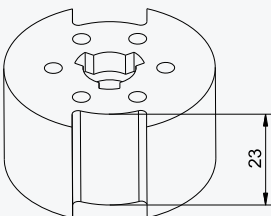
A2216-01



A2216-02



### A2217

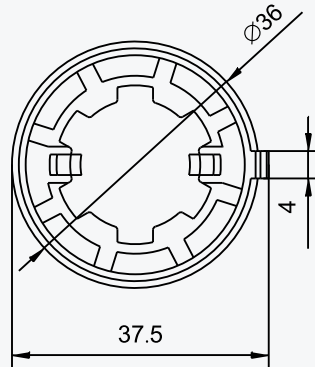
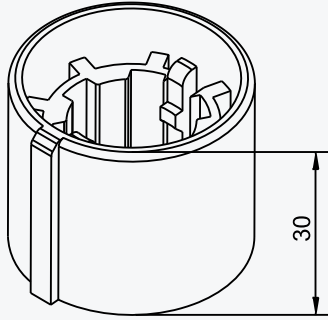


# Crown & Drive Adapters

\*Measurements listed are in millimeters

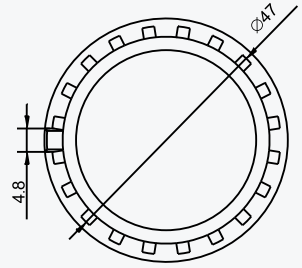
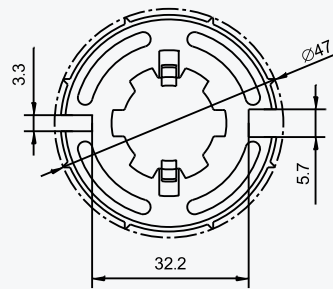
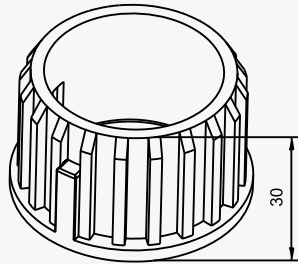
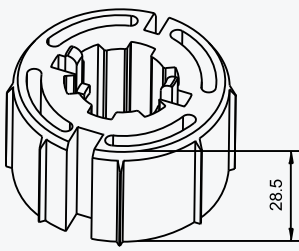
## 35mm MOTOR DRIVE ADAPTER SETS

### A2305

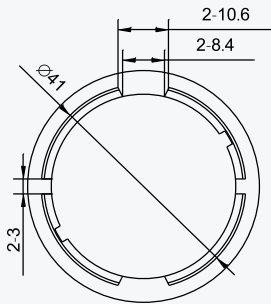
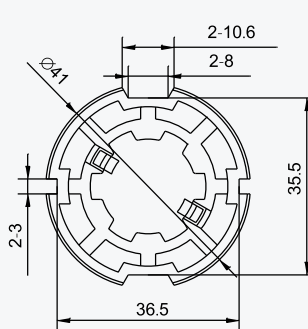
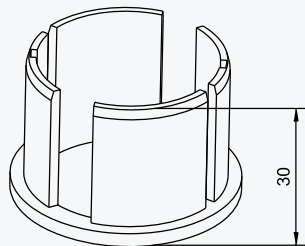
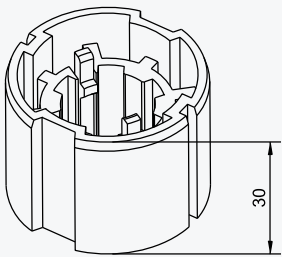


No crown required

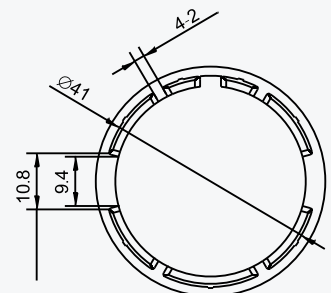
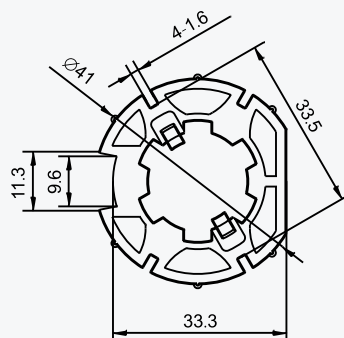
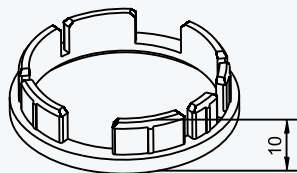
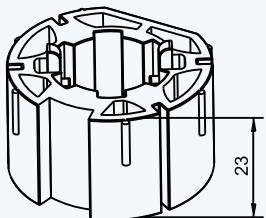
### A2307



### A2308



### A2310



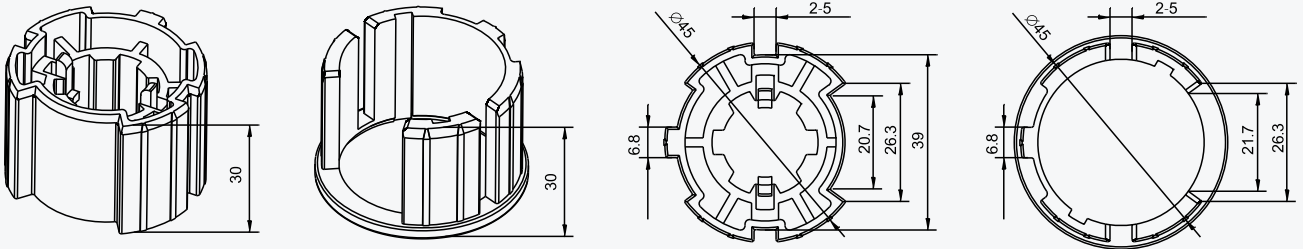


# Crown & Drive Adapters

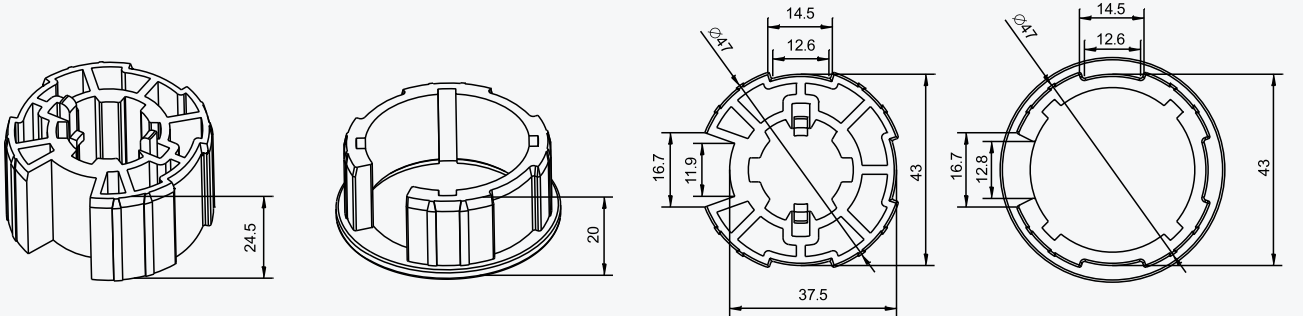
\*Measurements listed are in millimeters

## 35mm MOTOR DRIVE ADAPTER SETS

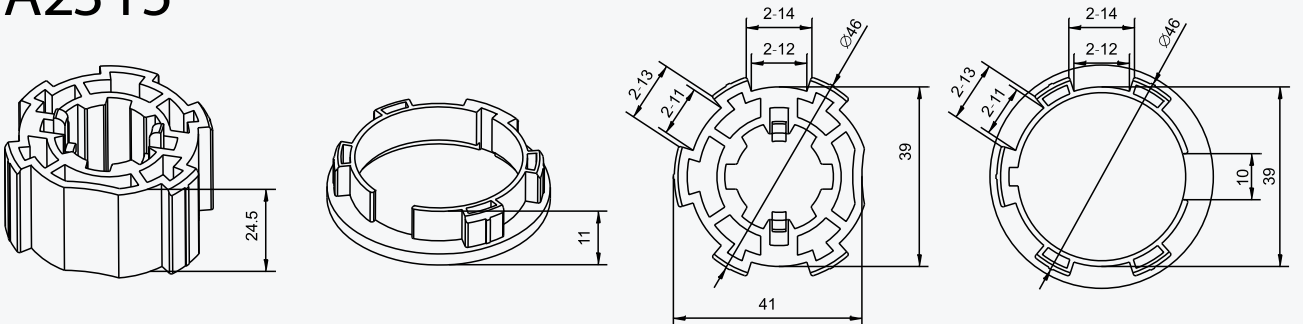
### A2313



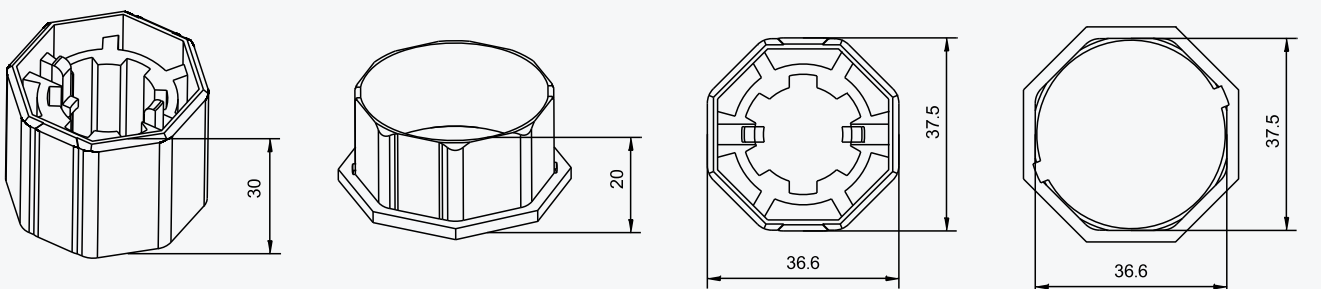
### A2314



### A2315



### A2320

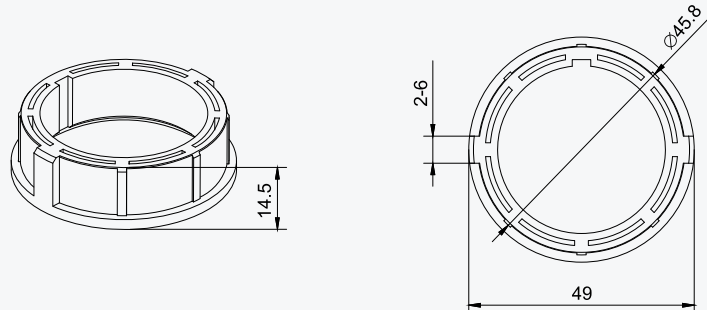


# Crown & Drive Adapters

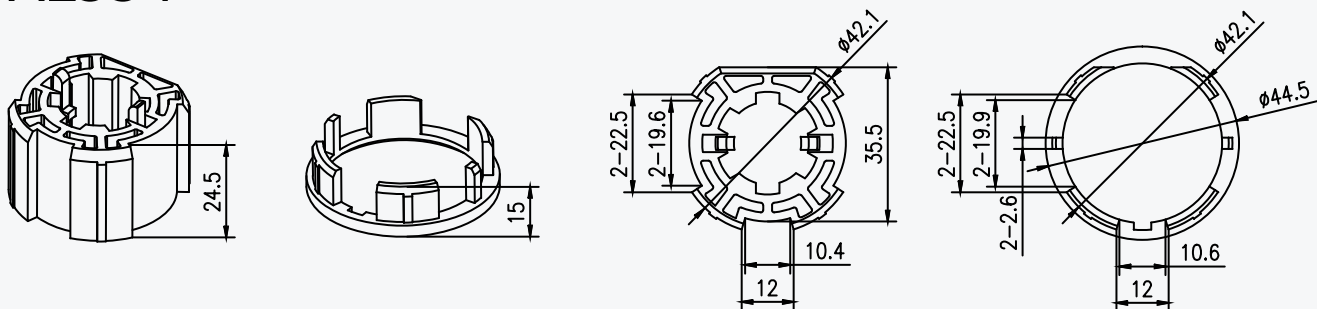
\*Measurements listed are in millimeters

## 35mm MOTOR DRIVE ADAPTER SETS

### A2324 and Aluminum transit drive

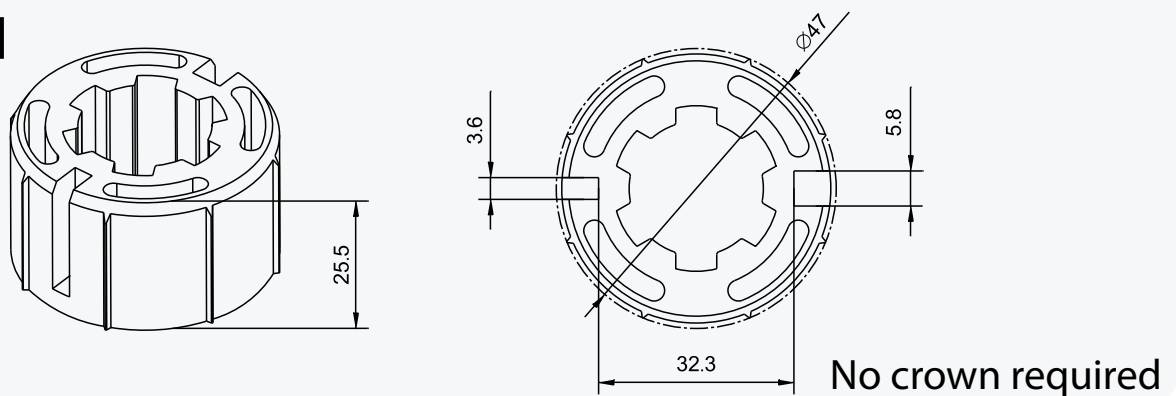


### A2334

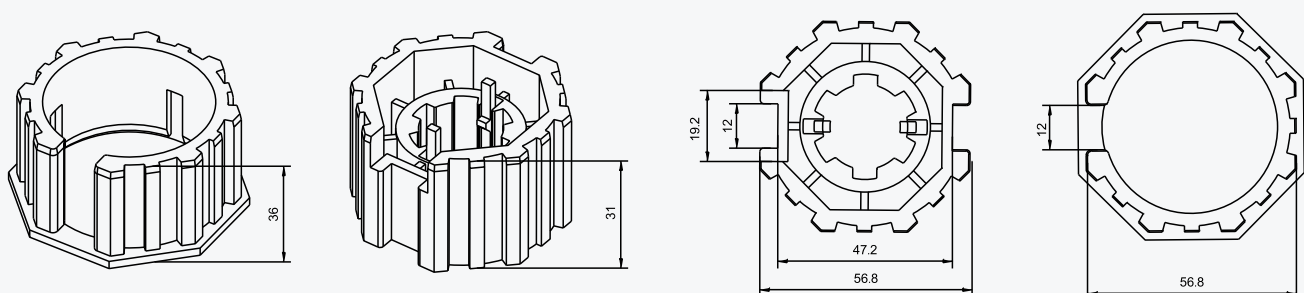


## 45mm MOTOR DRIVE ADAPTER SETS

### A2401



### A2404

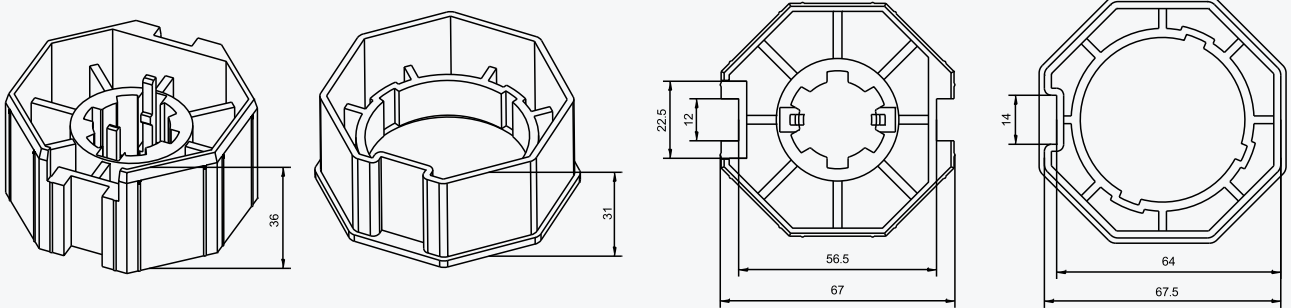


# Crown & Drive Adapters

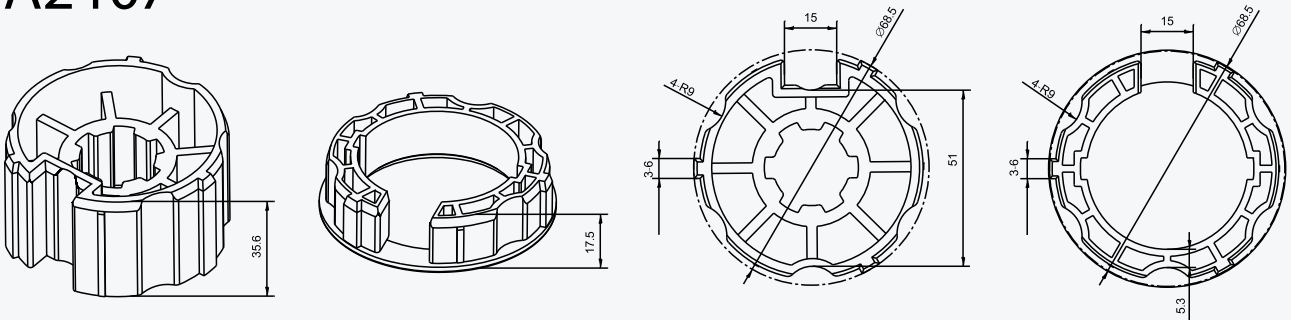
\*Measurements listed are in millimeters

## 45mm MOTOR DRIVE ADAPTER SETS

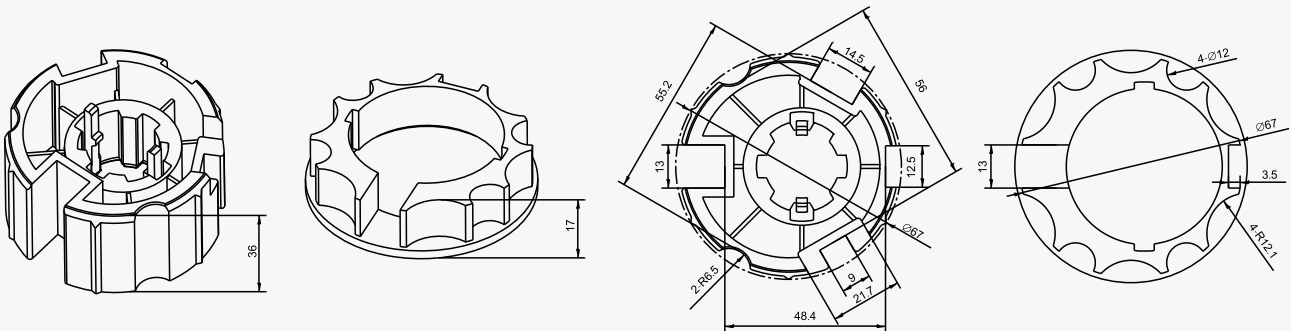
### A2406



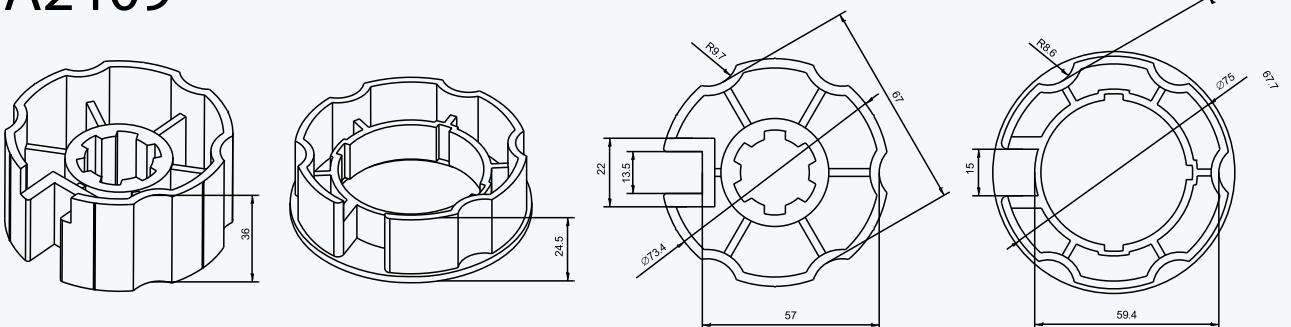
### A2407



### A2408



### A2409

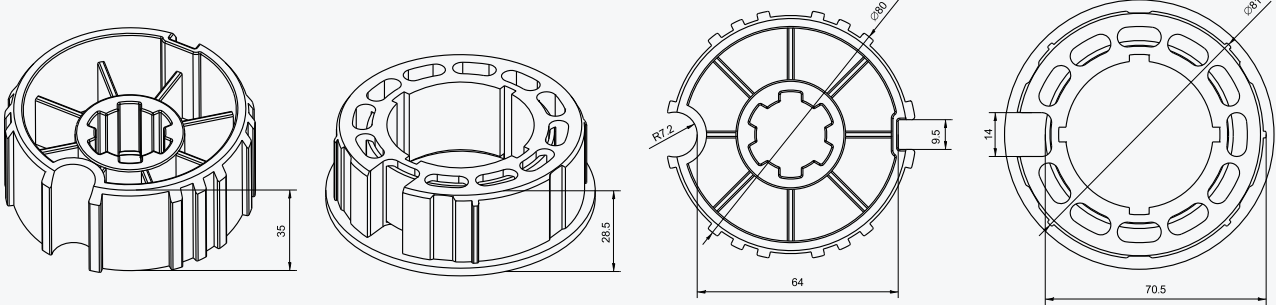


# Crown & Drive Adapters

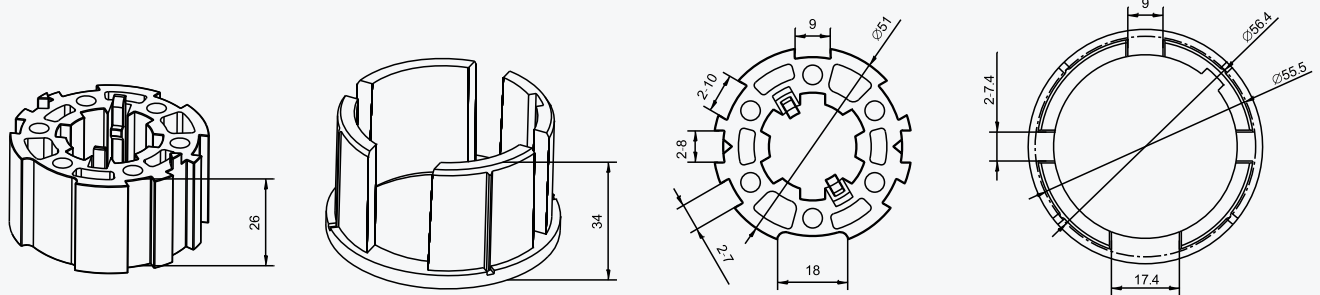
\*Measurements listed are in millimeters

## 45mm MOTOR DRIVE ADAPTER SETS

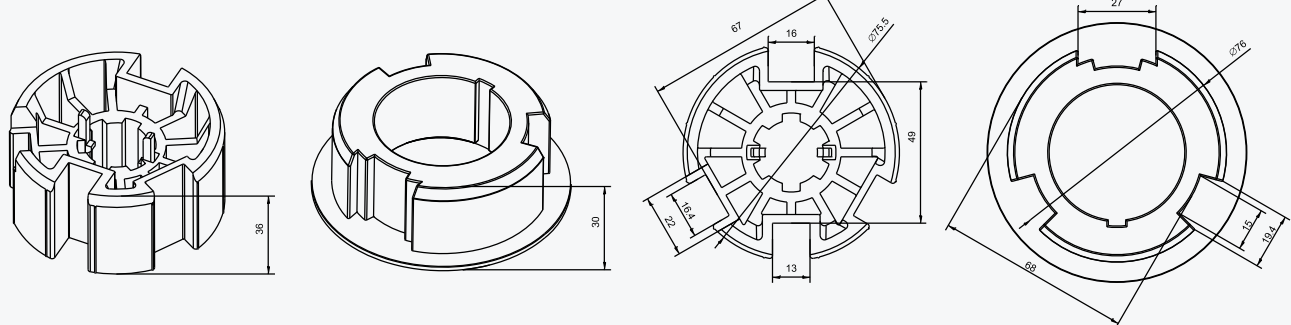
### A2410



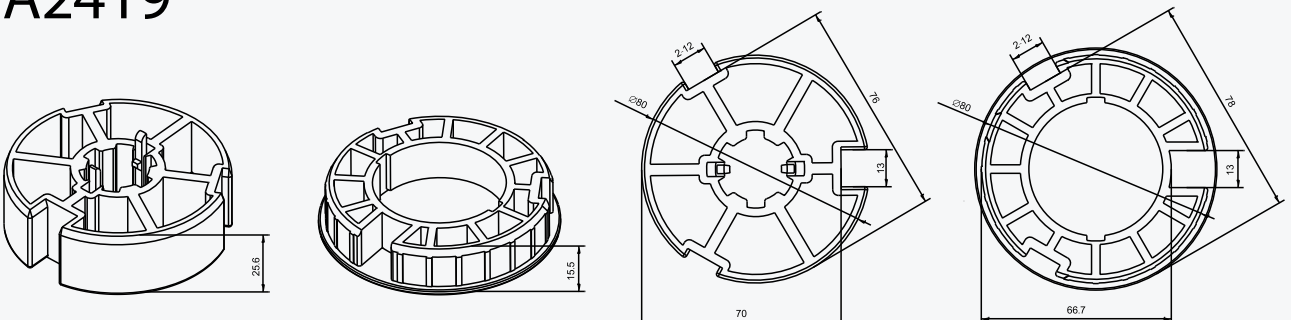
### A2415



### 2417



### A2419

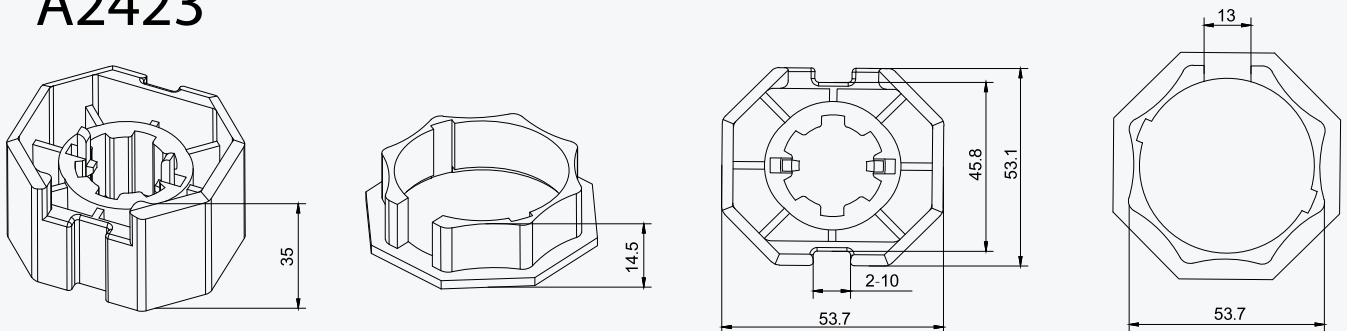


# Crown & Drive Adapters

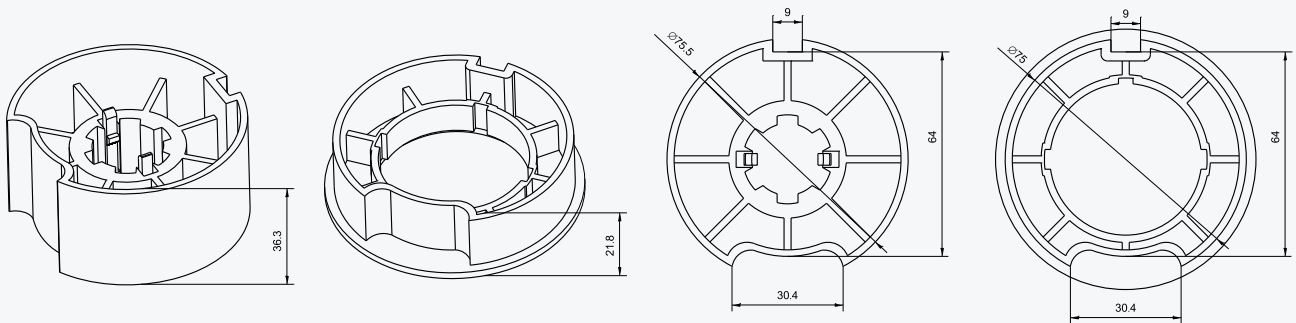
\*Measurements listed are in millimeters

## 45mm MOTOR DRIVE ADAPTER SETS

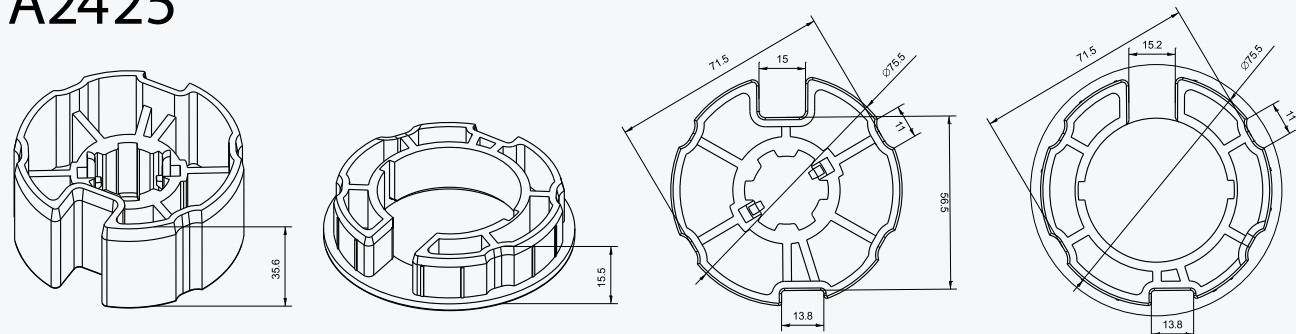
### A2423



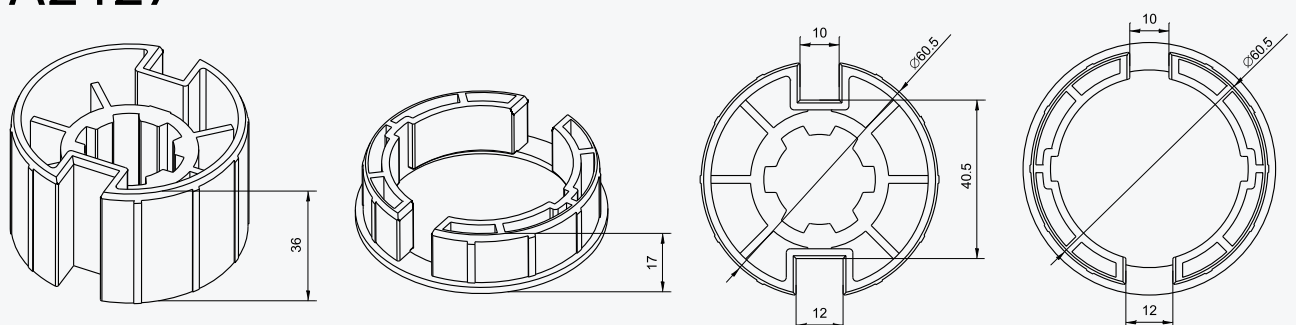
### A2424



### A2425



### A2427

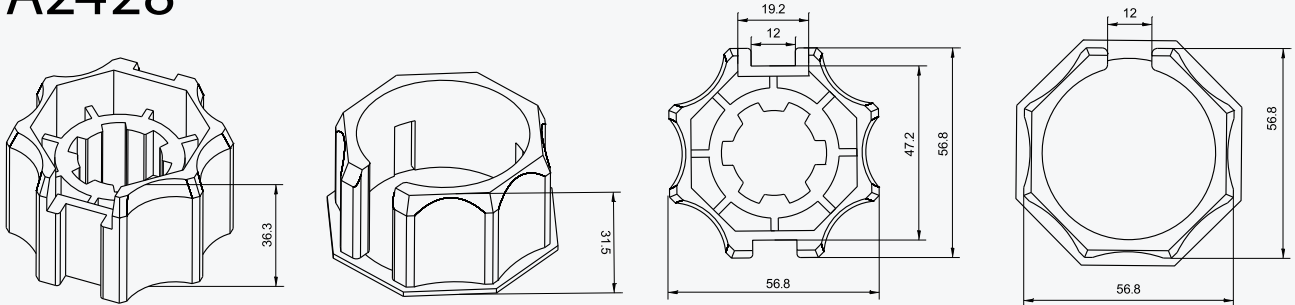


# Crown & Drive Adapters

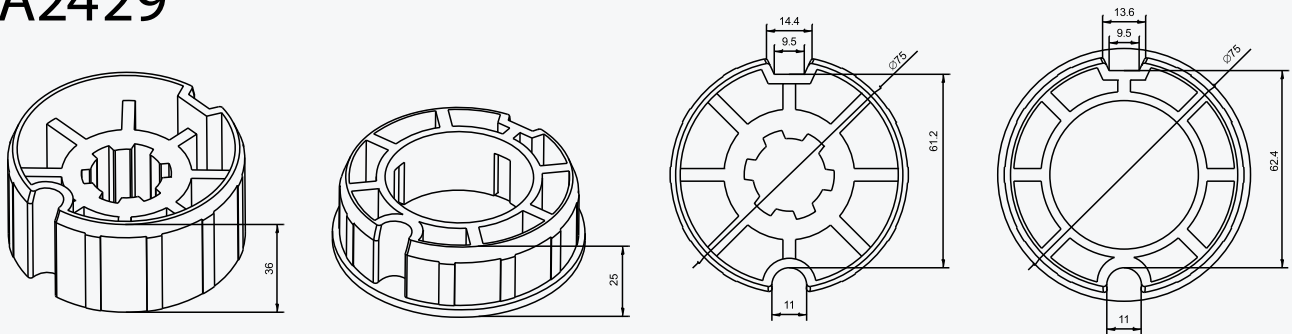
\*Measurements listed are in millimeters

## 45mm MOTOR DRIVE ADAPTER SETS

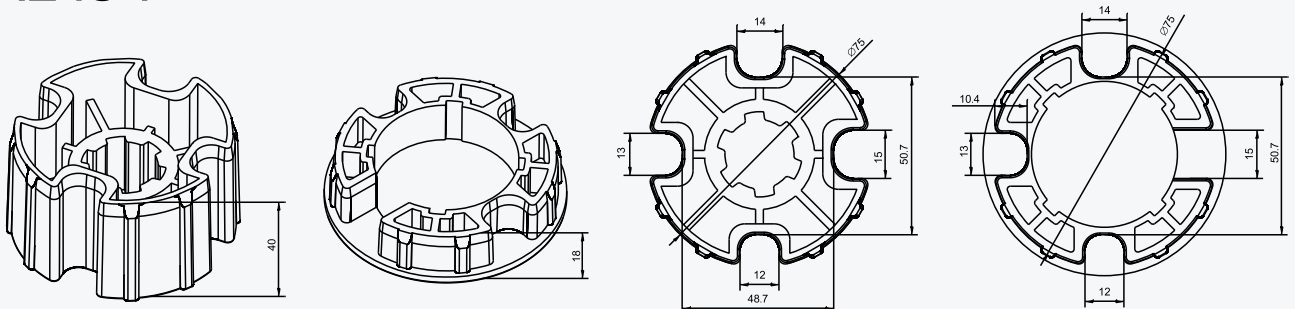
### A2428



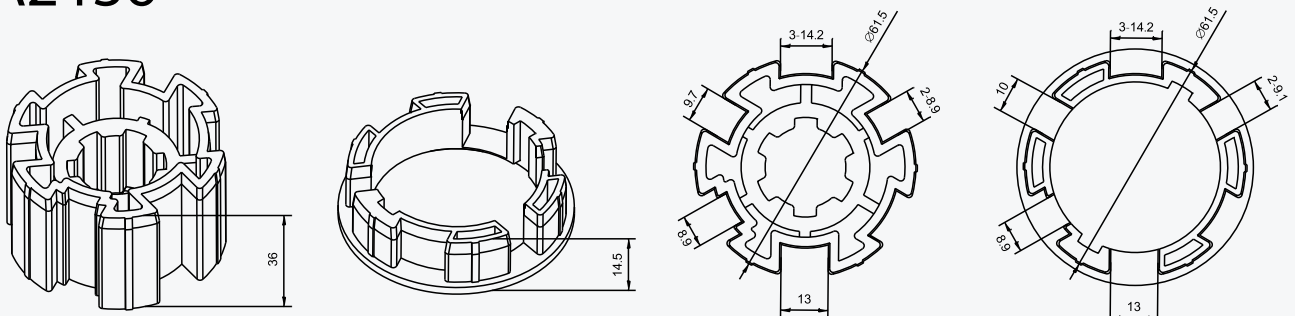
### A2429



### A2434



### A2436

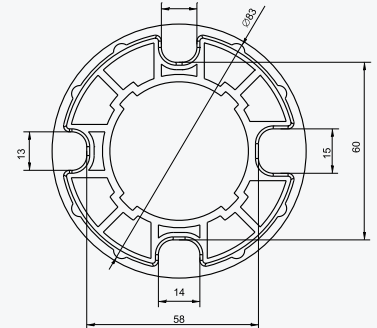
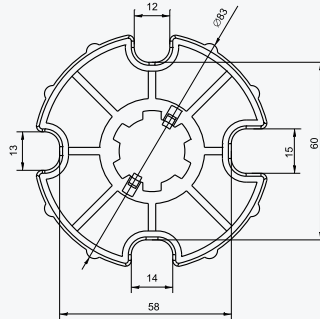
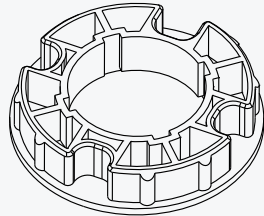
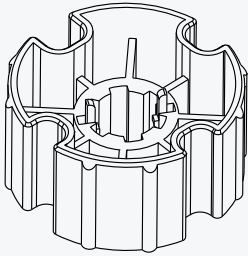


# Crown & Drive Adapters

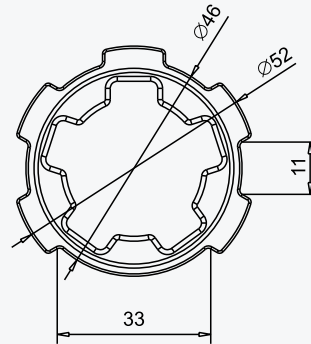
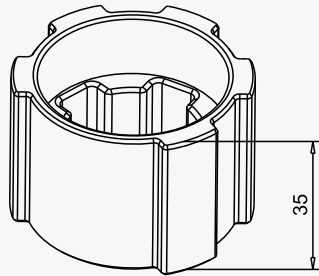
\*Measurements listed are in millimeters

## 45mm MOTOR DRIVE ADAPTER SETS

### A2437

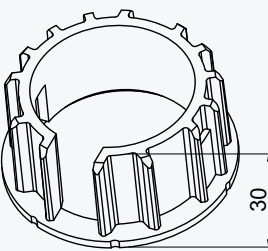
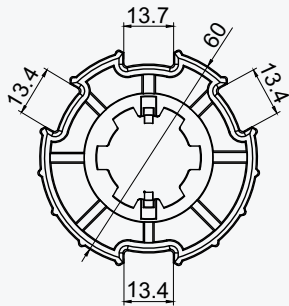
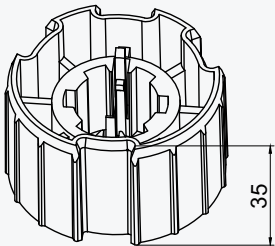


### A2453

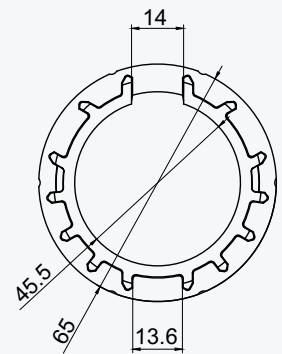


### A2462

A2462-01



A2462-02

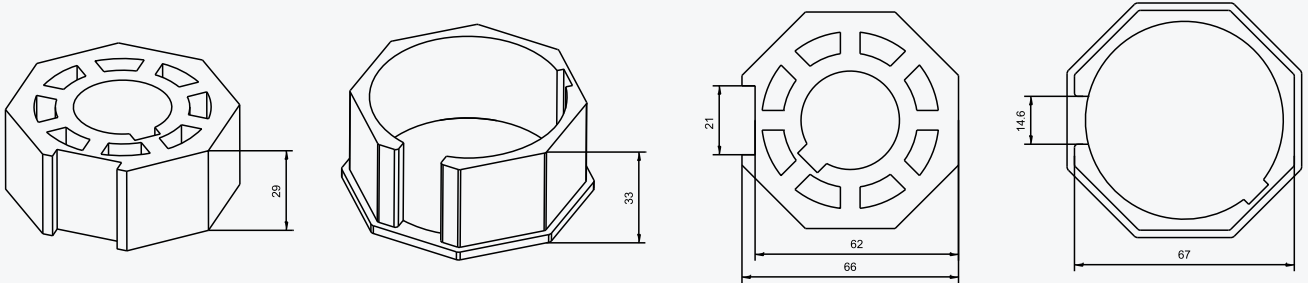


# Crown & Drive Adapters

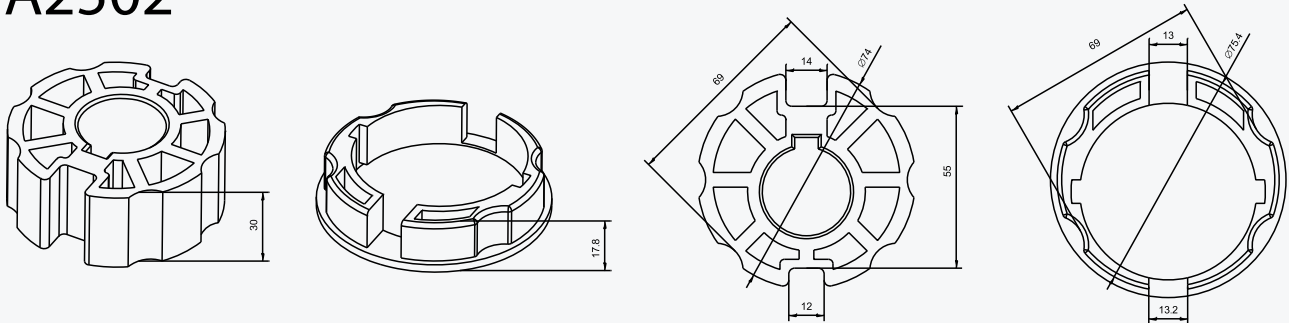
\*Measurements listed are in millimeters

## 59mm MOTOR DRIVE ADAPTER SETS

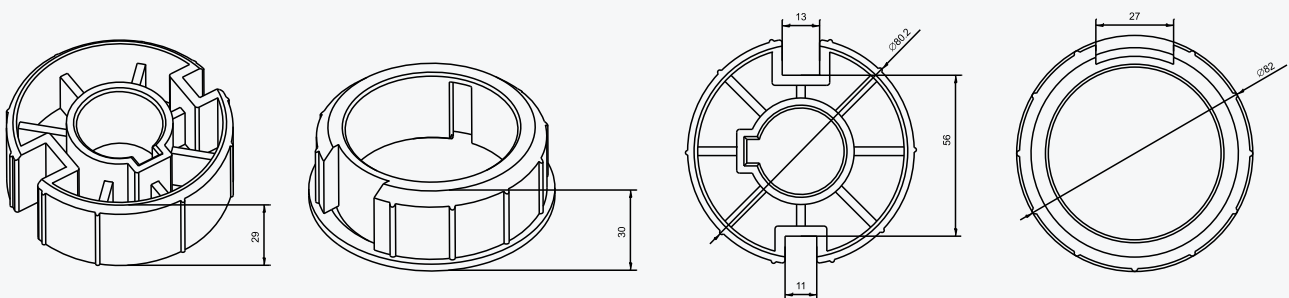
### A2501



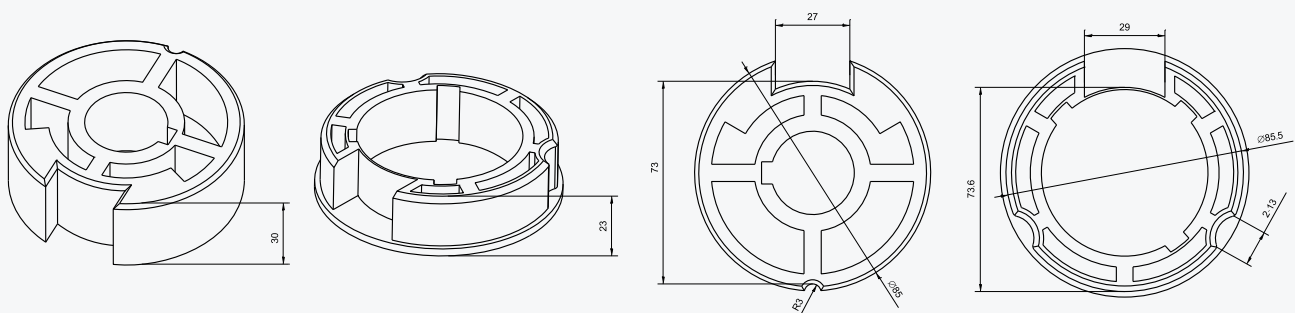
### A2502



### A2503



### A2504



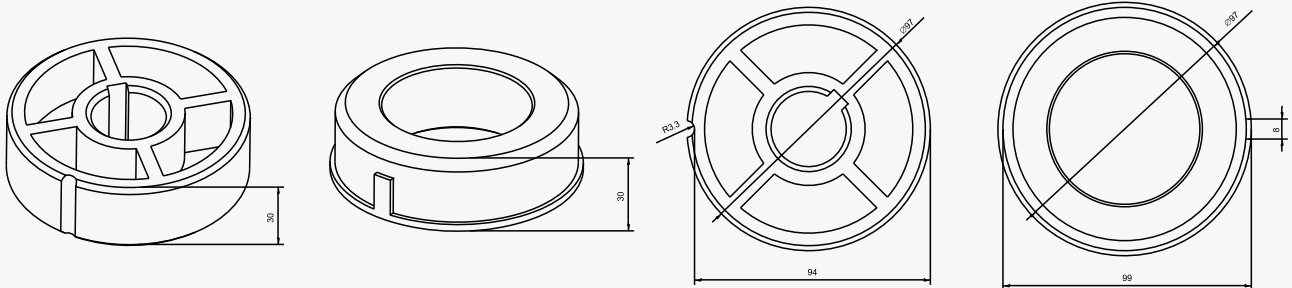


# Crown & Drive Adapters

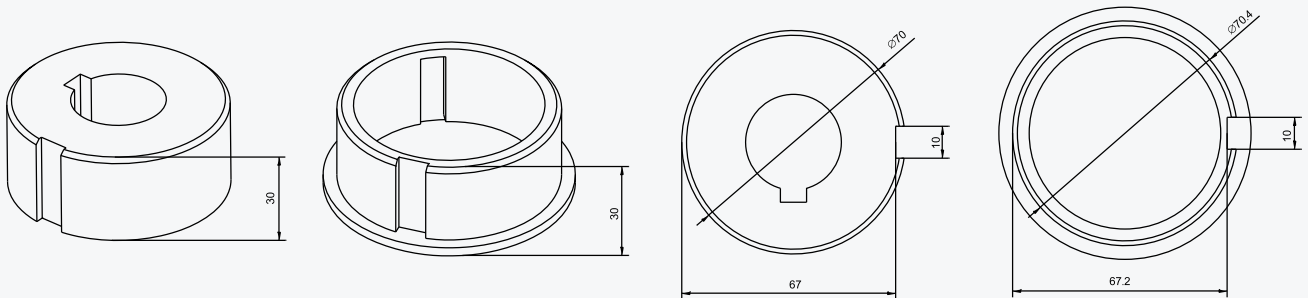
\*Measurements listed are in millimeters

## 59mm MOTOR DRIVE ADAPTER SETS

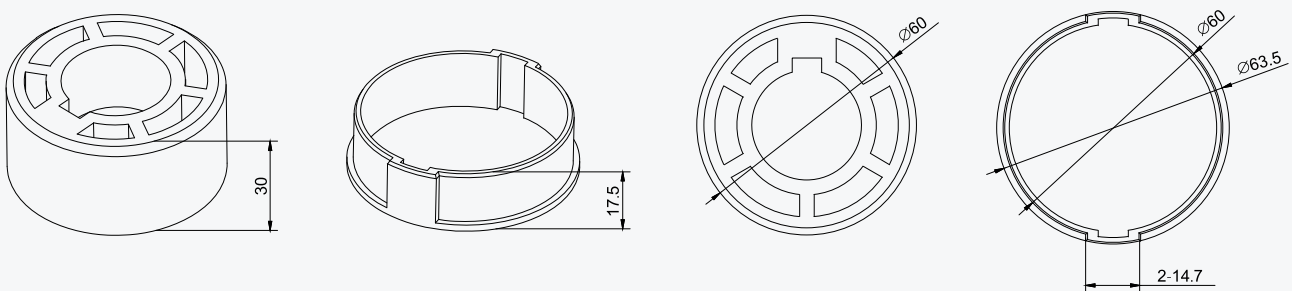
### A2505



### A2506



### A2602



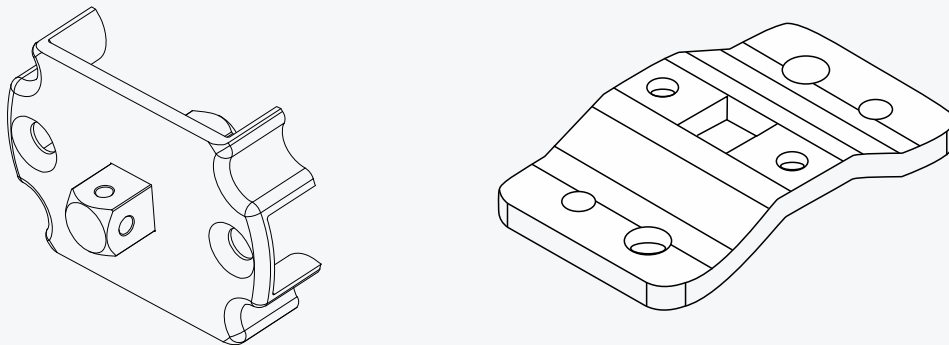
More to come! We are always adding new crowns and drives to our range. If you don't currently see a suitable fitting for your tube please contact our team to find out if there is a suitable variant available.

+1 (909) 307-2320

# Brackets

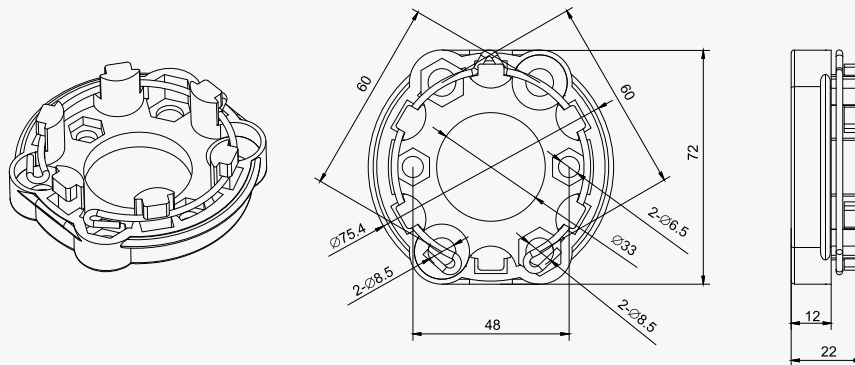
\*Measurements listed are in millimeters

## A3438



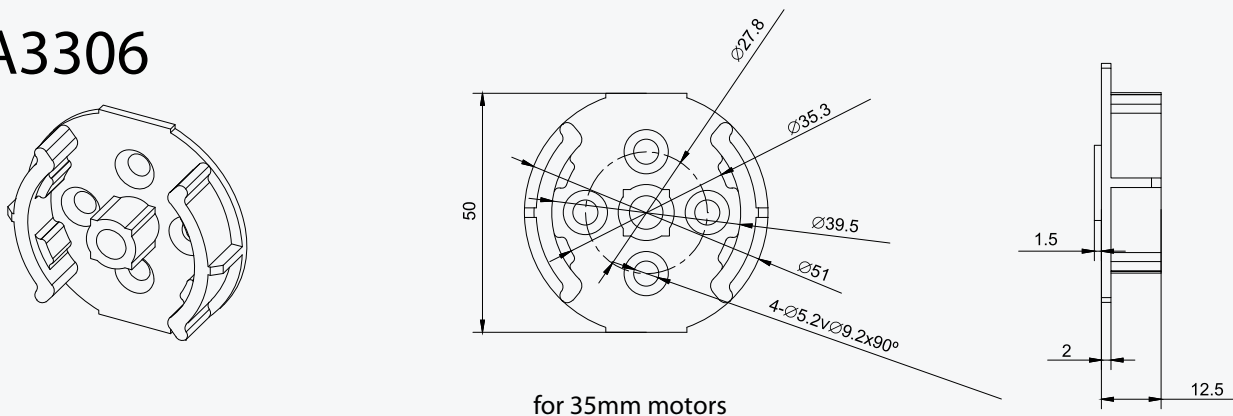
Motor bracket and mounting plate for star head motor only.

## A3440



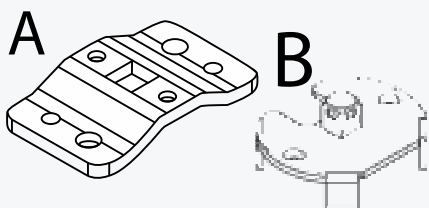
Quick release mounting plate to secure star head motor.

## A3306



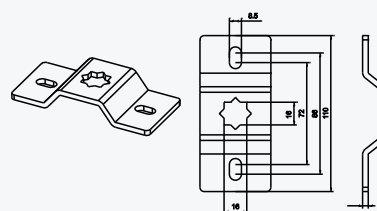
for 35mm motors

## A3005



Block and Pin style bracket  
Available galvanized or in stainless steel

## A3006



plates for 50mm motors  
NOTE: For all 50mm motors with 10mm block on end

# Brackets

\*Measurements listed are in millimeters

## A3007

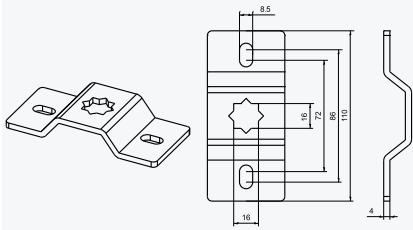


plate for 60mm motors

## A3007-4

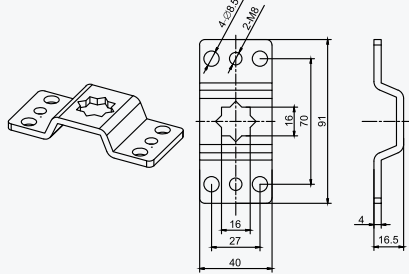
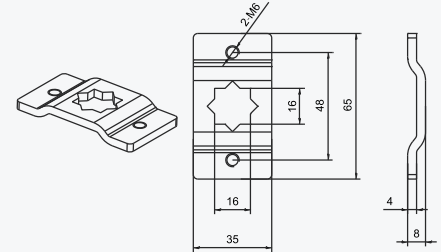


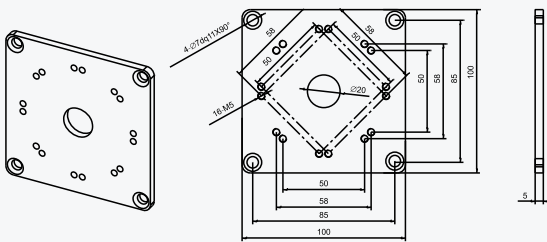
plate for 60mm motors

## A3636



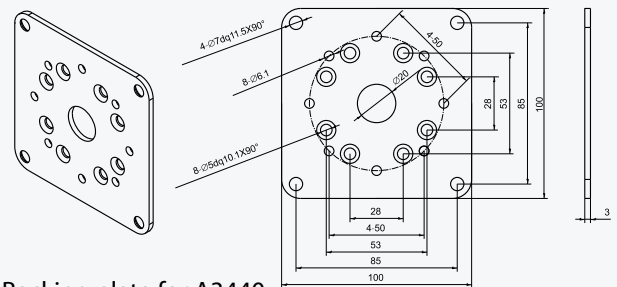
compact plate for 60mm motors

## A3402



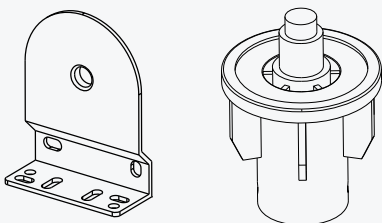
100x100mm plate for manual override motors

## A3428

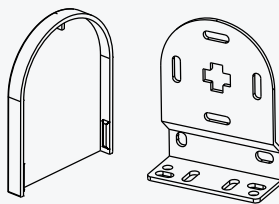


Backing plate for A3440

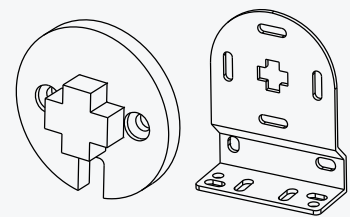
## A3202



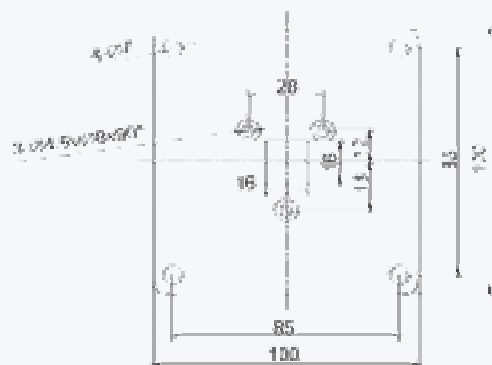
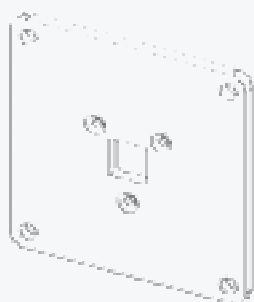
## A3203



## A3205



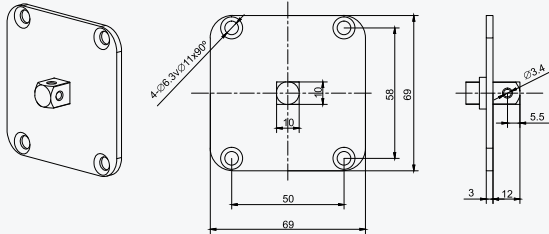
## A3502



# Brackets

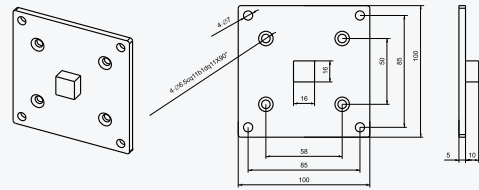
\*Measurements listed are in millimeters

## A3441



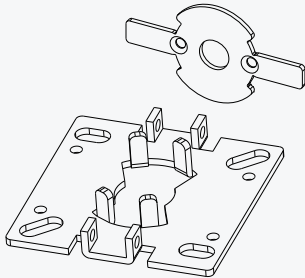
Manual override mounting plate

## A3501



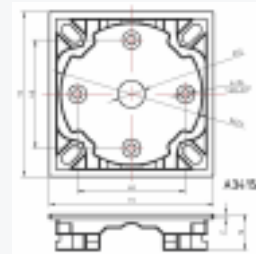
Mounting plate for 60mm manual override motors

## A3044



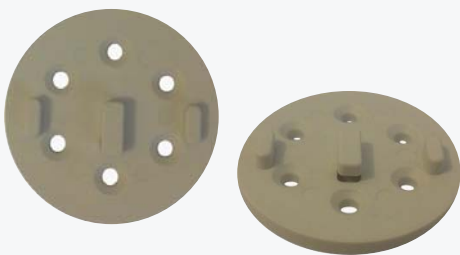
35mm motor plate

## A3415



Fast Plug Adapter for 50mm motor plate

## A3628



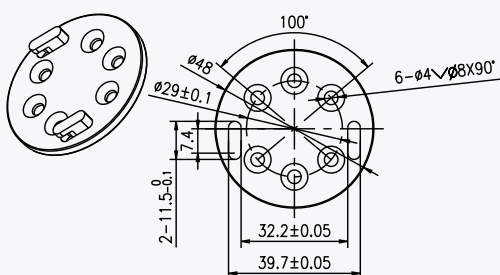
35mm motor plate

## A3630



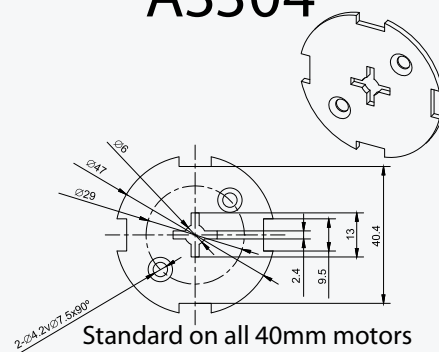
25mm + 35mm motor plate for Skyline brackets

## A3207



35mm motor plate

## A3304



Standard on all 40mm motors

# Molex Cables, Limit Setting Device & Test Lead

## Molex Cables

AM3CM



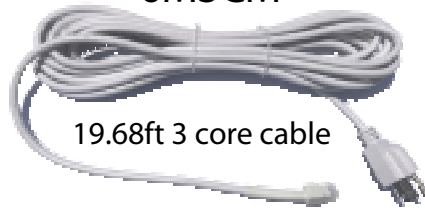
9.84ft 3 core cable

AM4CM



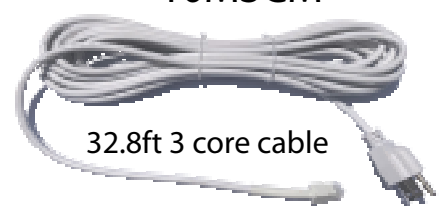
9.84ft 4 core cable

6M3CM



19.68ft 3 core cable

10M3CM



32.8ft 3 core cable

## WSB11

Limit Setting Device



## Specifications

Limit Setting Device Programming Tool

This device is for setting the limits on WSEC series motors.

All buttons are spring loaded so use as a method of powering other motors temporarily while programming is impractical.

## WSB12

Test Lead



## Specifications

Test Lead

This item allows you run 4 core WSS series motors in either direction while you set limits.

Alternatively you can use it as a temporary means of powering up 3 core remote control motors while you set limits. Switch is locking so it does not need to be held down.

# Retractable Awning Motor Guide

Currently Alpha's Retractable Awning Motor offerings are a 50Nm and 100Nm motor.

The RED 100Nm listings in the 70mm tube section below indicates that this motor is incompatible with a 70mm tube, due to its physical size.

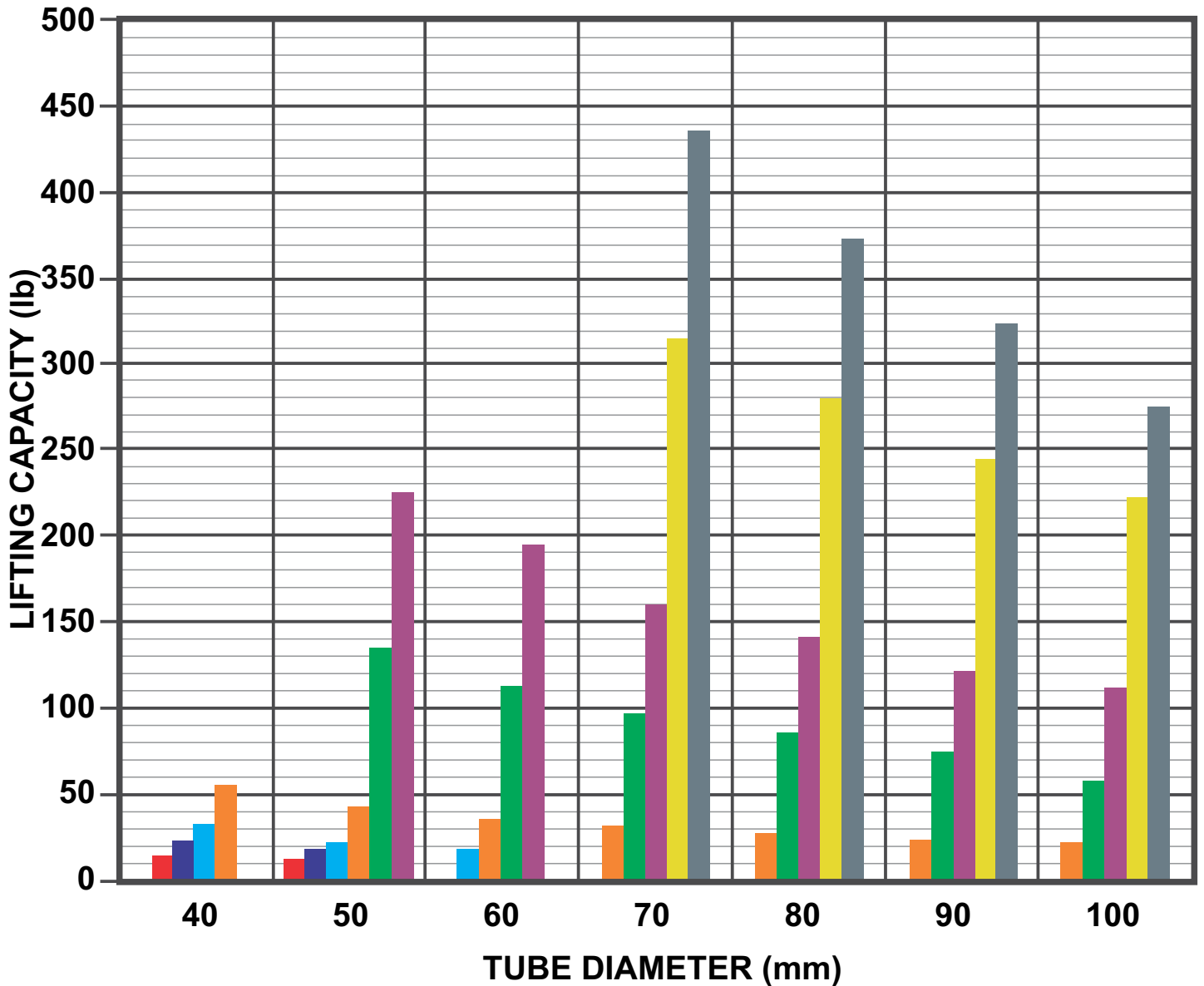
## 70MM TUBE

NUMBER OF ARMS	2 ARMS	3 ARMS	4 ARMS
UP TO 5' PROJECTION	30Nm	30Nm	50Nm
UP TO 6'6" PROJECTION	30Nm	50Nm	50Nm
UP TO 8' PROJECTION	30Nm	50Nm	100Nm
UP TO 10' PROJECTION	50Nm	50Nm	100Nm
UP TO 11'6" PROJECTION	50Nm	100Nm	100Nm
UP TO 13' PROJECTION	50Nm	100Nm	100Nm

## 78MM TUBE

NUMBER OF ARMS	2 ARMS	3 ARMS	4 ARMS
UP TO 5' PROJECTION	30Nm	50Nm	50Nm
UP TO 6'6" PROJECTION	30Nm	50Nm	100Nm
UP TO 8' PROJECTION	50Nm	50Nm	100Nm
UP TO 10' PROJECTION	50Nm	50Nm	100Nm
UP TO 11'6" PROJECTION	50Nm	100Nm	100Nm
UP TO 13' PROJECTION	50Nm	100Nm	100Nm

# Motor Lifting Capacity Chart



To use this chart, simply find your tube size at the bottom of the chart, find the colour that matches the capacity of your motor and check against the weights on the left side.



*Check out our app!*



**Alpha**  
TUBULAR MOTORS LLC  
**MOTORIZATION MADE EASY**

USA DISTRIBUTION CENTER  
1840 S COMMERCENTER CIRCLE  
SAN BERNARDINO CA 92408



T 909-307-2320      F 909-307-2322  
E SALES@ALPHAMOTORS.US      W WWW.ALPHAMOTORS.US

