

PRODUCT
CATALOG

2022



Alpha
TUBULAR MOTORS LLC

MOTORIZATION MADE EASY

ISSUE 4

Motorization Made Easy!

Who is Alpha Motors

Alpha Tubular Motors produce a very high quality range of motorization products and accessories for indoor roller blinds, outdoor awnings, shutters and screens.

Alpha offers reliable, intuitive motorization solutions with a highly competitive edge. Our focus is on genuine high-quality motorization products at a realistic price. All Alpha AC motors carry our 7 year replacement warranty and have been engineered to last 25 years. We also boast some of the most elegant and flexible controllers on the market and our programming is super simple.

Although new to the North American and Canadian markets, Alpha has a strong record of success in Australia where the company was founded. We are currently the second bestselling motor in Australia amongst the usual array of European offerings and we are the best selling motor by far in external products. In some categories like External Straight Drop Screens, we outsell all other brands combined. The reason for this is simple. The combination of high quality and versatility that could only be found in European motors previously at a price retailers were afraid to quote customers, suddenly became available at a price that retailers were willing to actively promote.

In truth, it wasn't easy for us in the early days. Companies that had only used European products were wary in the beginning. So when they did try us, it was usually on the basis of being a second offering in case a customer didn't want to pay the price of a European motor. Typically, after a very short period of time, usually around two months, we would become the preferred or standard offering, and the European motor would be relegated to a "supply on request" offering. Not only did we become the preferred brand, but they started actively promoting motorization in their businesses, and manufacturers that previously sold 10–15 motors a month, were selling 80–100 a month within a year.

At Alpha we place great importance on doing things the right way. We make a point of being ethical in the way we do business and deal with every situation in a manner designed to keep everybody happy. Likewise we always ensure our products are fully compliant to North American standards, including UL and FCC requirements.

Our happy customers within the Australian window coverings and shading systems industry love our products and service, which has given us the huge success we enjoy there. As we expand into the North American market we hope to partner with you on future projects, and that we may help you grow your business and profitability.

David Fezer
Founder & President
Alpha Tubular Motors



contents

Tubular Motors

WSER Remote Control Motors	p 4-12
DC Motor Systems	p 9-12
WSEC Automation System Motor	p 13
WSS Mechanical Limits Motors	p 14-16
Manual Override Motors	p 17-19

Control Systems

Alpha-Neo App & Link Box	p 20
Remote Controls	p 21-25
Keypad	p 24
Wall Mount Controls	p 25
Receivers	p 26
Relay Controlled Remote	p 27

Sun & Wind Sensors

Motion Sensor	p 28
Sun & Wind Sensors	p 29

Accessories

Manual Override Accessories	p 19
Crown & Drive Adapters	p 32-43
Brackets	p 44-46
Limit Setting Device & Test Lead	p 47
Cables for AC Motors	p 47
Retractable Awning Motor Guide	p 48
Motor Lifting Capacity Chart	p 49

PROUD MEMBER

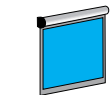
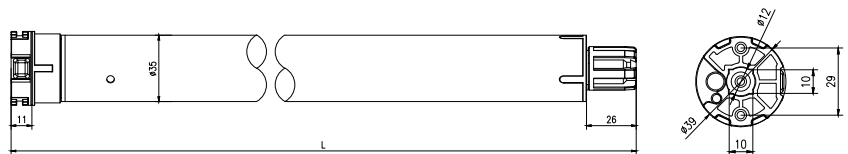


Industrial Fabrics
Association International



Electronic Limit Switch

Built-in Receiver Motor
 35mm diameter



Projection Screen



Roller Blind

Product Certificates



Specifications - 120V / 60Hz

Type	6/34
Rated Torque (Nm)	6
Output Speed (rpm)	34
Nominal Consumption (W)	103
Nominal Voltage (V)	120
Nominal Current (A)	0.88
Running Time (Min)	4
Protection Index (IP)	44
Total Length (in)	23.62
Maximum Turns (Turn)	∞
Net Weight (lb)	3

WSER50

universal

7 year replacement warranty
Electronic limit switch
Built-in receiver
Wireless limit setting
External antenna

The WSER50 series universal motors are a premium motor designed specifically for external straight drop products.

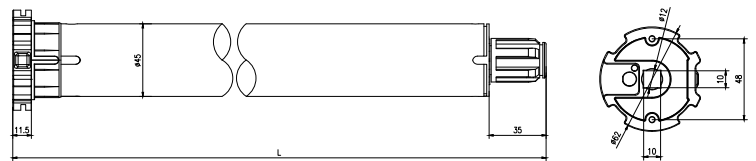
Due to the torque stop function, this motor is ideal for all external drop screen systems. This protective feature can be used to stop on stoppers at the top limit in side channel systems and can also be used to tension the fabric when the shade is down. A top limit is set normally and the torque stop function can be used in conjunction.

The **WSER50S** 10Nm/21rpm is a short motor version for smaller applications.

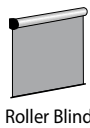
It measures in a length of 20.375"



Electronic Limit Switch Built-in Receiver Motor 45mm diameter



OPTIONAL MODEL
The Alpha 6 wire model is both a remote control and dry contact control motor. This allows for both full RF connectivity, as well as the ability to operate via hardwire control, thus allowing for integration into various control systems or a simple doorbell button.



Awning Roller Blind Roller Shutter

Specifications - 120V / 60Hz

Type	10/21 SHORT MOTOR	10/33	30/16	50/16
Rated Torque (Nm)	10	10	30	50
Output Speed (rpm)	21	33	16	16
Nominal Consumption (W)	150	186	186	280
Nominal Voltage (V)	120	120	120	120
Nominal Current (A)	1.26	1.60	1.60	2.40
Running Time (Min)	4	4	4	4
Protection Index (IP)	44	44	44	44
Total Length (in)	20.375	24.80	23.62	24.80
Maximum Turns (Turn)	∞	∞	∞	∞
Net Weight (lb)	5.07	5.07	5.40	5.84

Product Certificates



Product Certificates

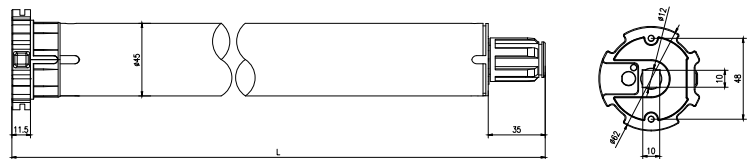
The WSER50 retractable awning motors are designed to automatically set their inner limit based on tension. It will also allow you to set the inner limit manually if you require.

When using the auto inner limit setting, the outer limit is set manually using the remote and it will find its own inner stopping position by detecting the resistance as it reaches the fully closed position the first time it is closed. After this the motor will stop in this position after detecting an increased resistance of 25% while moving.

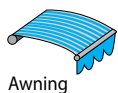
On larger cassette awnings, 25% is sometimes not enough so you can increase this to 50%, 75% or 100% if required. It's rare to need this adjustment but it's a good feature to have.

When used with Sun/Wind sensors or Motion sensors, this motor detects a pulse from the sensor issued every 20 minutes. If the Awning is out and does not receive a signal from the sensor for half an hour, it will close itself automatically as a protective measure assuming the sensor has failed or the batteries are flat.

Electronic Limit Switch Built-in Receiver Motor 45mm diameter



This motor's safety feature is the main reason you should always choose this motor for retractable awnings if a sensor is going to be used.



Awning

Models are also available in 6 wire for both radio and dry contact control.

Product Certificates



Specifications - 120V / 60Hz

Type	30/16	50/16
Rated Torque (Nm)	30	50
Output Speed (rpm)	16	16
Nominal Consumption (W)	186	280
Nominal Voltage (V)	120	120
Nominal Current (A)	1.60	2.40
Running Time (Min)	4	4
Protection Index (IP)	44	44
Total Length (in)	23.62	24.80
Maximum Turns (Turn)	∞	∞
Net Weight (lb)	5.40	5.84

WSER50 OD

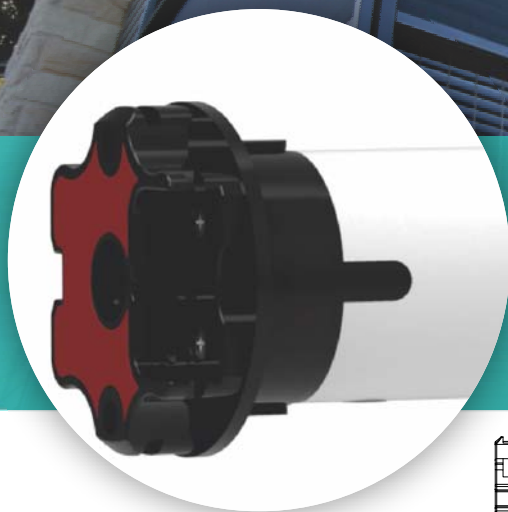
obstacle detection motor with star head

7 year replacement warranty
Electronic limit switch
Built-in receiver
Wireless limit setting
External antenna

7

Designed primarily with Zip style systems in mind, this motor incorporates obstacle detection in both directions. It can stop on stoppers at the top limit if necessary on the way up, but also, if on the way down, the motor detects that the bottom bar has stopped moving in the channel due to getting stuck or hitting an object, it will rebound to a higher point and attempt to go down again. After attempting this 3 times unsuccessfully, if it has detected an obstacle, it will return to the rebound position and stop. But if it has detected wind stopping the awning, then it will return to the top limit.

This motor has a star shaped head which is different to all other Alpha motor heads, and will suit many common mountings used by various manufacturers when producing their product.



Electronic Limit Switch Built-in Receiver Motor 45mm diameter



For compatible mounting brackets, please see the A3438 and A3440 on page 44



External Zip System

Product Certificates



Specifications - 120V / 60Hz

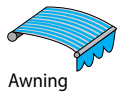
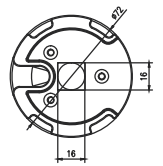
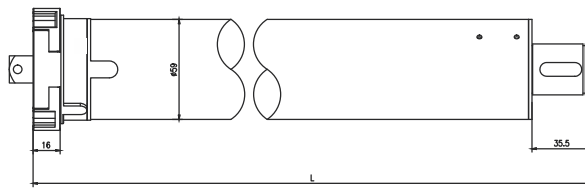
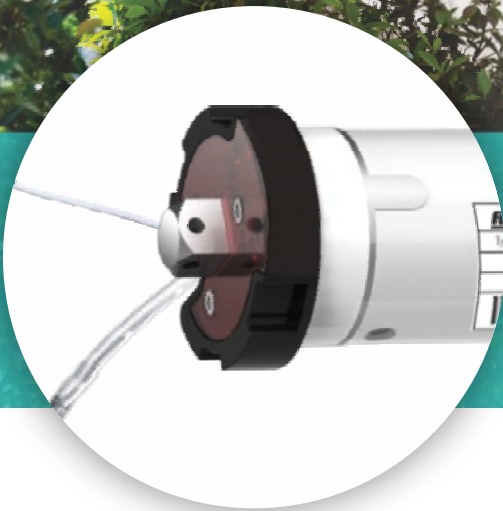
Type	30/21
Rated Torque (Nm)	30
Output Speed (rpm)	21
Nominal Consumption (W)	186
Nominal Voltage (V)	120
Nominal Current (A)	1.60
Running Time (Min)	4
Protection Index (IP)	44
Total Length (in)	23.62
Maximum Turns (Turn)	∞
Net Weight (lb)	5.40

The WSER60 is the heavy duty motor within the WSER family.

Although it's a universal motor, it's compatible with extra-large retractable awnings, including the additional safety features provided by motion and wind sensors.

Due to the larger diameter of this motor, the smallest tube it can be used with is a 78mm single keyway tube, or a 70mm octagonal roller shutter tube.

Electronic Limit Switch Built-in Receiver Motor 60mm diameter



Awning

Product Certificates



Specifications - 120V / 60Hz

Type	100/15
Rated Torque (Nm)	100
Output Speed (rpm)	15
Nominal Consumption (W)	478
Nominal Voltage (V)	120
Nominal Current (A)	4.02
Running Time (Min)	4
Protection Index (IP)	44
Total Length (in)	29.13
Maximum Turns (Turn)	∞
Net Weight (lb)	10.47

WSERD30-A

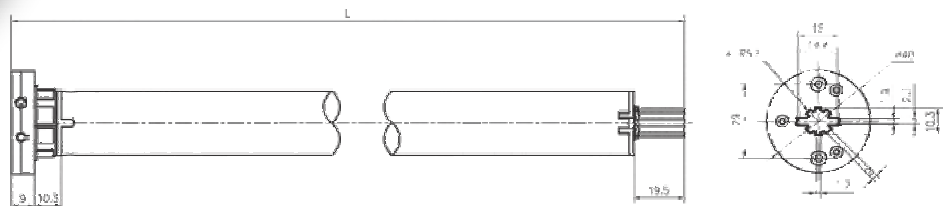
hardwired DC motor

Works with AC/DC Adapter
Electronic limit switch
Built-in receiver
3rd intermediate limit position

Yet another product that compliments Alpha's refined motor selection. At only 12-5/8", it is quite the power house @ 2Nm 20RPM.

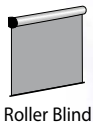
As a plug and play hardwire solution the convenience of low voltage wiring make this the ideal choice for applications where it is just not feasible to recharge a battery nor in budget to run line voltage points of connections.

Requires DC005 power supply



Specifications - 12V DC

Type	2/20
Rated Torque (Nm)	2
Output Speed (rpm)	20
Nominal Consumption (W)	11.4
Nominal Voltage (V)	12
Nominal Current (A)	0.95
Protection Index (IP)	20
Total Length (in)	12.75
Maximum Turns (Turn)	∞
Net Weight (lb)	0.70



Roller Blind



Product Certificates



WSERD30-B

rechargeable internal battery motor

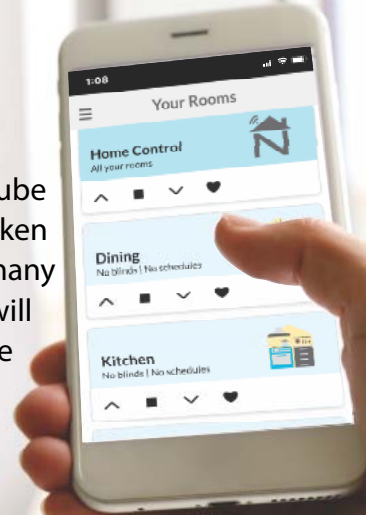
DC 12V power supply
 Built-in rechargeable Lithium battery
 Electronic limit switch
 Built-in receiver
 3rd intermediate limit position

This new version of our popular battery motor has a new ground-breaking coreless DC drive inside, that is much more efficient and much quieter than other battery motors.

The WSERD30-B 2Nm version motor has internal lithium rechargeable batteries with enough storage for around 12 - 18 months of average use. It can be used on blinds up to 10ft x 10ft.

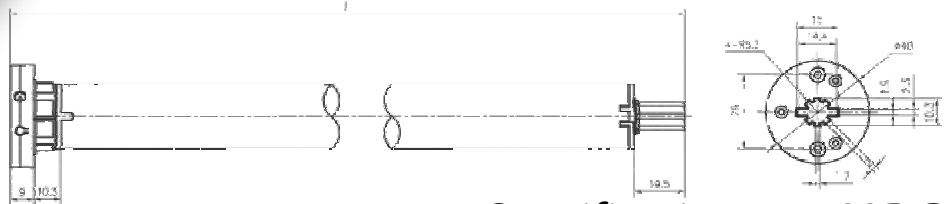
The 3Nm version of this amazing motor will lift a blind 10ft high x 15ft wide and the time between charges will average 8 - 12 months under normal usage.

The fittings for these motors will allow it to be used with a range of tube sizes from 30-50mm in diameter. All of the charging intelligence is taken care of inside the motor, not by a 3rd party charger. This eliminates many of the issues experienced by other brands of DC motors. The motor will indicate both when charging is required, and completed. It cannot be overcharged and it will not start to discharge when the batteries are full as other brands may do. The charger plugs directly into the motor head so there is no need for an unsightly charging cable.

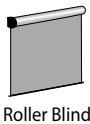


ALDC charger required

- * Charger comes with 13ft cable.
- * 10ft extension cable also available.
- * Motor comes with 20cm charging tail for optional use, in case the motor head is difficult to access after installation.



- New super efficient coreless motor design
- Longest time between charges of any equivalent product
- Soft stop function
- Super quiet operation
- No unsightly charging cable



Roller Blind

Specifications - 12V DC

Type	2/31	3/20
Rated Torque (Nm)	2	3
Output Speed (rpm)	31	20
Nominal Consumption (W)	15.6	15.3
Nominal Voltage (V)	12	12
Nominal Current (A)	1.3	1.3
Protection Index (IP)	20	20
Total Length (in)	21.65	21.65
Maximum Turns (Turn)	∞	∞
Net Weight (lb)	1.13	1.13

Product Certificates



WSERD40B

rechargeable internal battery motor

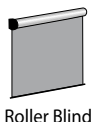
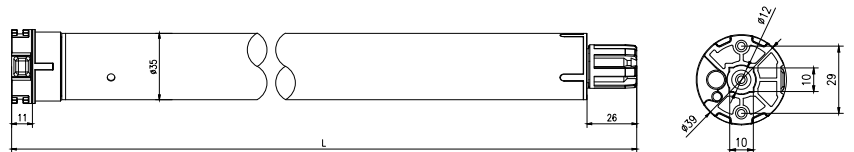
3 year replacement warranty
Built-in rechargeable Lithium batteries
Electronic limit switch with Built-in receiver
3rd intermediate limit position

The market talked and we listened! Alpha is proud to introduce an indoor AND outdoor rated 5Nm rechargeable. It is suitable for certain external screens, yet retains a sleek mounting head for refined interior applications. It is the ideal solution for wide spanning shading systems that demand power and speed without the need for an electrician. Like all other Alpha radio products, it is compatible with all Alpha controls and integration devices.



ALDC charger required

- * Charger comes with 13ft cable.
- * 10ft extension cable also available.
- * Motor comes with 20cm charging tail for optional use, in case the motor head is difficult to access after installation.



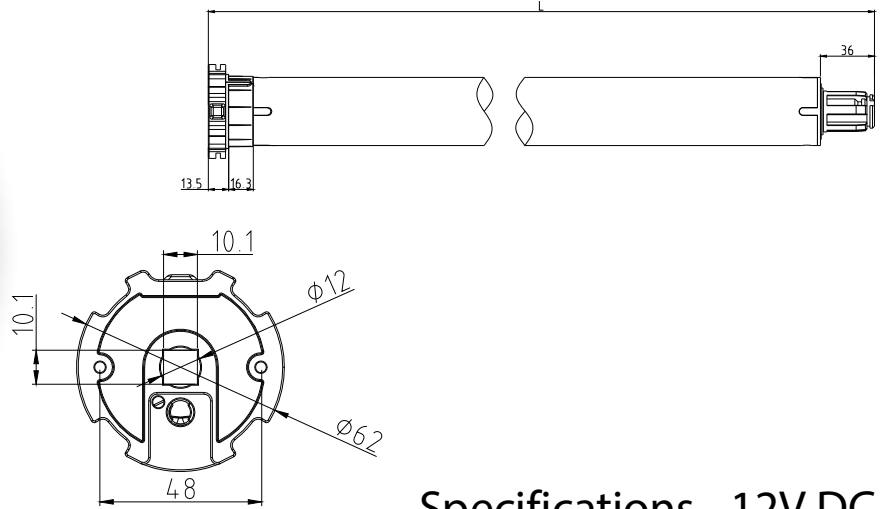
Roller Blind

Product Certificates



Specifications - 120V / 60Hz

Type	5/28
Rated Torque (Nm)	5
Output Speed (rpm)	28
Nominal Consumption (W)	42
Nominal Voltage (V)	12
Nominal Current (A)	3.5
Running Time (Min)	∞
Protection Index (IP)	44
Total Length (in)	24
Maximum Turns (Turn)	∞
Net Weight (lb)	3



Specifications - 12V DC

Type	15/12
Rated Torque (Nm)	15
Output Speed (rpm)	12
Nominal Consumption (W)	96
Nominal Voltage (V)	12
Nominal Current (A)	8
Protection Index (IP)	44
Total Length (in)	22.24
Maximum Turns (Turn)	∞
Net Weight (lb)	4.50



Use Pioneer Series Remotes for greater responsiveness



Roller Blind



Roller Shutter

TYB002 Solar panel and battery pack for WSERD50 (Optional power source)

The WSERD50 works in conjunction with our solar panel/battery pack, model number TYB002.

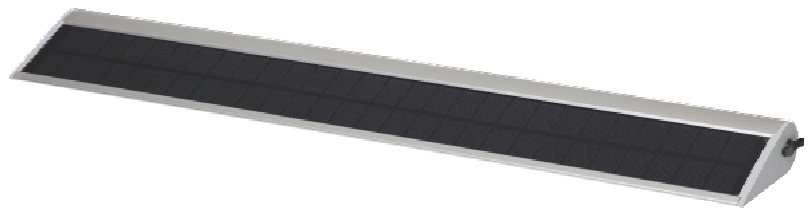
The solar panel has lithium batteries and a storage capacity of 4400mAh.

The batteries will be recharged in a few hours by connecting an external charger to the unit.

- New tear drop design
- Monocrystalline silicone material
- Nominal capacity 4400 mAh
- Charging voltage 16.8v/1A
- Charging time 8 hours
- Output voltage 11.1v/4.5A
- Working temperature 14°F to 113°F
- Protection index IP55
- Dimensions 21.5in x 3.5in x 1in

PLEASE NOTE:

10ft extension cables are available



Product Certificates

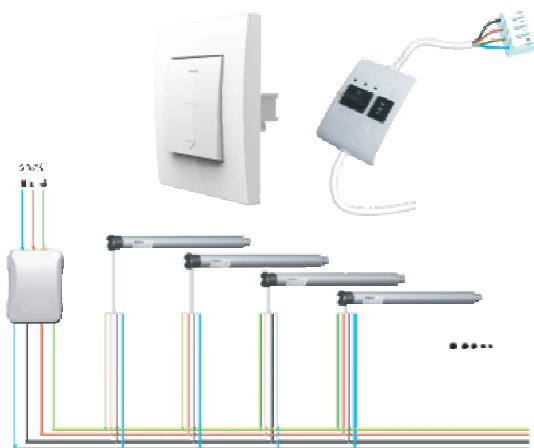
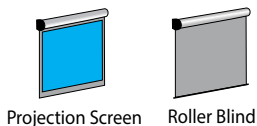
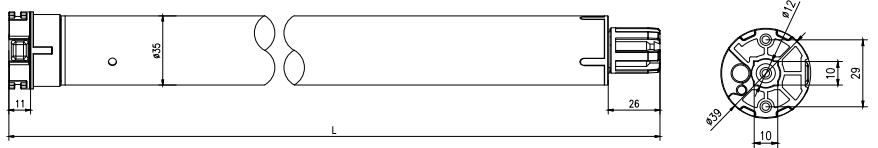


The WSEC40 is an electronic limits 4 core motor that will allow multiple motors to be parallel wired together. The number is only restricted by the power source feeding them.

Limits may be set by using either the WSB11 limit setting tool or by using the button on the motor head.



Push Button Type Electronic Limit Switch Parallel Connector Motor - 35mm diameter



Specifications - 120V / 60Hz

Type	6/34
Rated Torque (Nm)	6
Output Speed (rpm)	34
Nominal Consumption (W)	103
Nominal Voltage (V)	120
Nominal Current (A)	0.88
Running Time (Min)	4
Protection Index (IP)	44
Total Length (in)	23.62
Maximum Turns (Turn)	∞
Net Weight (lb)	2.98

Product Certificates



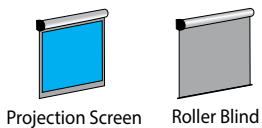
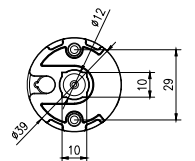
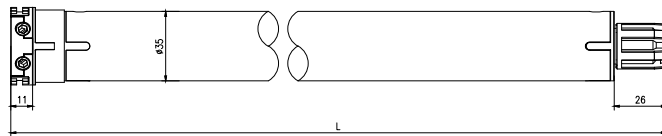
The WSS40 is a basic featureless 4 core motor for when you want a reliable workhorse without any bells and whistles and switch operation.

Unlike the WSEC Series motors, these motors cannot be parallel wired.



Standard Type Motor

35mm diameter



Specifications - 120V / 60Hz

Type	6/34
Rated Torque (Nm)	6
Output Speed (rpm)	34
Nominal Consumption (W)	103
Nominal Voltage (V)	120
Nominal Current (A)	0.88
Running Time (Min)	4
Protection Index (IP)	44
Total Length (in)	20.08
Maximum Turns (Turn)	27
Net Weight (lb)	2.86

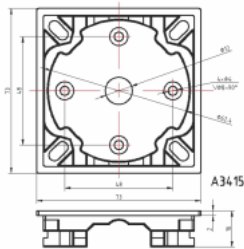
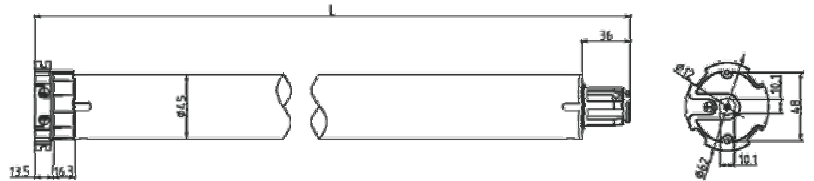
Product Certificates



The WSS50 is a basic featureless 4 core motor for when you want a reliable workhorse without any bells and whistles and switch operation.

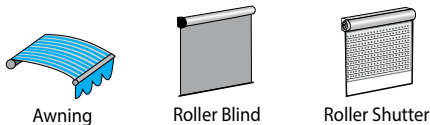


Standard Type Motor 45mm diameter



Specifications - 120V / 60Hz

Type	30/16	50/16
Rated Torque (Nm)	30	50
Output Speed (rpm)	16	16
Nominal Consumption (W)	186	280
Nominal Voltage (V)	120	120
Nominal Current (A)	1.60	2.40
Running Time (Min)	4	4
Protection Index (IP)	44	44
Total Length (in)	22.44	22.44
Maximum Turns (Turn)	27	27
Net Weight (lb)	5.29	5.73



Product Certificates



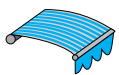


Standard Type Motor

59mm diameter



WSS60 is a basic featureless 4 core motor. This motor is great for projects that need a workhorse motor that operates with a wall switch.



Awning



Roller Door

Product Certificates



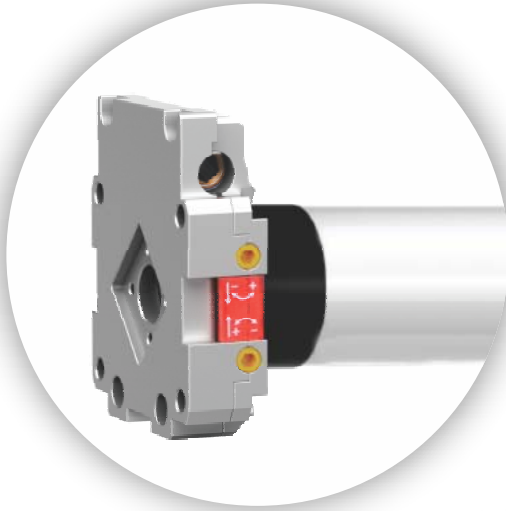
Specifications - 120V / 60Hz

Type	100/15
Rated Torque (Nm)	100
Speed (rpm)	15
Nominal Consumption (W)	478
Nominal Voltage (V) AC	120
Nominal Current (A)	4.02
Running Time (Min)	4
Protection Index (IP)	44
Total Length (in)	24.4
Maximum Turns (Turn)	27
Net Weight (lb)	10.7

WSM50 50/16

manual override

7 year replacement warranty
Standard type
Mechanical switch



This is a mechanical limits motor, with the addition of manual override. This feature allows a roller shutter or awning to be operated by a crank handle in the event of a power failure. This feature is to allow for emergency operation only and is not suitable for general usage.

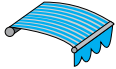
PLEASE NOTE
for eyelet and crank handle options please see page 19

Specifications - 120V / 60Hz

Type	50/16
Rated Torque (N.m)	50
Output Speed (rpm)	16
Nominal Consumption (W)	280
Nominal Voltage (V)	120
Nominal Current (A)	2.40
Running Time (Min)	4
Protection Index (IP)	44
Total Length (in)	24.8
Maximum Turns (Turn)	27
Override Turn Ratio	45:1
Net Weight (lb)	7.28



Roller Shutter



Awning



Product Certificates



WSME60 100/15

Manual override

7 year replacement warranty
Standard type
Mechanical switch



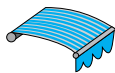
This is a mechanical limits motor, with the addition of manual override. This feature allows a roller shutter or awning to be operated by a crank handle in the event of a power failure. This feature is to allow for emergency operation only and is not suitable for general usage.

Specifications - 120V / 60Hz

Type	100/15
Rated Torque (N.m)	100
Output Speed (rpm)	15
Nominal Consumption (W)	478
Nominal Voltage (V)	120
Nominal Current (A)	4.02
Running Time (Min)	4
Protection Index (IP)	44
Total Length (in)	33.9
Maximum Turns (Turn)	27
Net Weight (lb)	13.6



Roller Shutter



Awning



Product Certificates



WSME50

manual override

7 year replacement warranty
Standard type
Mechanical switch
Built-in receiver

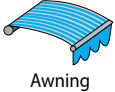


The WSME50 is a remote control version of a mechanical limits motor, with the addition of manual override. This feature allows a roller shutter or awning to be operated by a crank handle in the event of a power failure. The manual override feature is to allow for emergency operation only and is not suitable for general usage.

PLEASE NOTE
for eyelet and
crank handle
options please
see page 19

Specifications - 120V / 60Hz

Type	50/16
Rated Torque (Nm)	50
Output Speed (rpm)	16
Nominal Consumption (W)	280
Nominal Voltage (V)	120
Nominal Current (A)	2.40
Running Time (Min)	4
Protection Index (IP)	44
Total Length (in)	28.74
Maximum Turns (Turn)	27
Net Weight (lb)	9.48



Awning



Roller Shutter



Product Certificates



WSME60

manual override

7 year replacement warranty
Standard type
Mechanical switch
Built-in receiver



The WSME60 is a remote control version of a mechanical limits motor, with the addition of manual override. This feature allows a roller shutter or awning to be operated by a crank handle in the event of a power failure. The manual override feature is to allow for emergency operation only and is not suitable for general usage.

Specifications - 120V / 60Hz

Type	100/15	140/11
Rated Torque (Nm)	100	140
Output Speed (rpm)	15	11
Nominal Consumption (W)	478	478
Nominal Voltage (V)	120	120
Nominal Current (A)	4.02	4.02
Running Time (Min)	4	4
Protection Index (IP)	44	44
Total Length (in)	33.9	33.9
Maximum Turns (Turn)	27	27
Net Weight (lb)	13.6	13.6



Awning



Roller Door



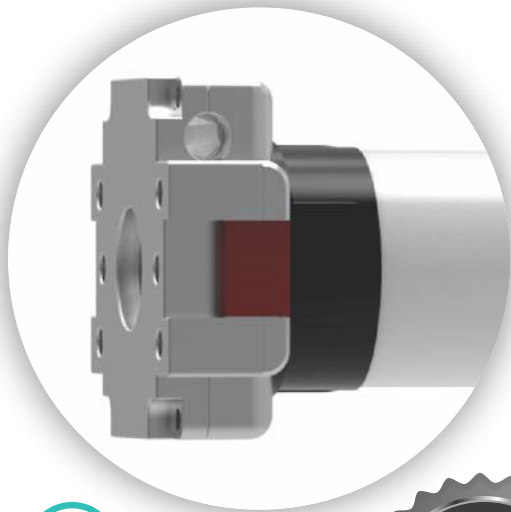
Product Certificates



WSME50 ELECTRONIC

manual override with electronic limits

7 year replacement warranty
Electronic limit switch
Built-in receiver
Wireless limit setting
External antenna



This motor has manual override and electronic limits. Unlike most override motors, the electronic limits allow easy installation and programming, as well as the flexibility to be used in cassette systems that block access to typical mechanical limit mechanisms on conventional manual override motors.

Specifications - 120V / 60Hz

Type	50/16
Rated Torque (Nm)	50
Output Speed (rpm)	16
Nominal Consumption (W)	280
Nominal Voltage (V)	120
Nominal Current (A)	2.40
Running Time (Min)	4
Protection Index (IP)	44
Total Length (in)	25.80
Maximum Turns (Turn)	∞
Net Weight (lb)	5.84



Awning

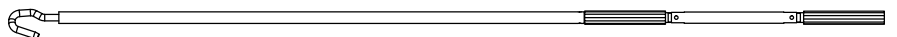


Product Certificates

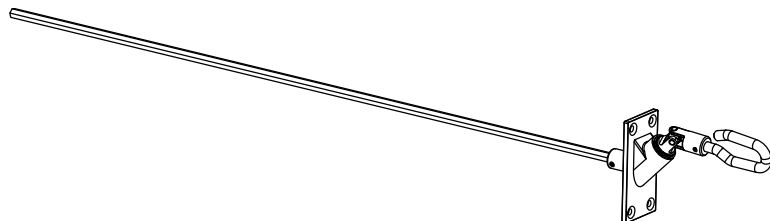


Manual Override Motor Accessories

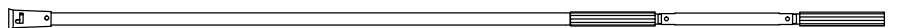
A3018 Hook Hand Crank
5ft length



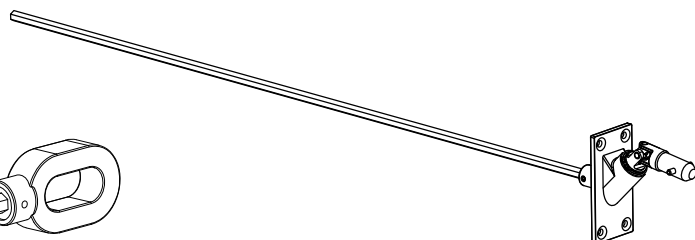
A3025-02 Hook Eyelet
for A3018



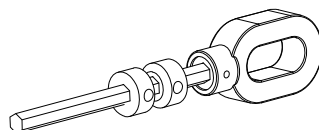
A3018K Bullet Hand Crank
5ft length



A3025-03 Bullet Eyelet
for A3018K



A3047 Eyelet
available in either 4", 6" & 12" shaft length



ALPHA^{NEO}App integration
made easy

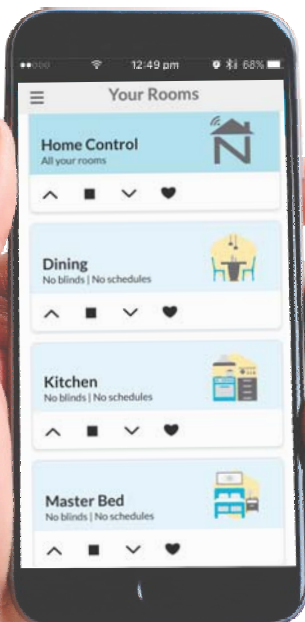
Control4

SAVANT



This app is extremely versatile and easy to set up. It controls motorised products individually, or by area, or the whole house at once from anywhere in the world with an internet connection. All functionality can be scheduled to operate automatically.

Simply purchase the link box and download the free app for either Android or Apple. This app is compatible with all Alpha remote control motors. There is no limit to the number of control devices you can connect. There are 30 control groups (rooms) available and you can add up to 8 blinds per group. Additionally, you can setup up to 40 schedules to automate functionality.



Specifications

Type	
Nominal Voltage (V)	5
Nominal Current (A)	1
Frequency MHz	433.92
Code Type	Rolling
Power Requirements	5V DC
Number of Channels	Max 240
Total Length (in)	2.95
Total Width (in)	2.36
Total Height (in)	0.98



Introducing the new range of Pioneer series remote controls, with a new sleeker look and wall holder design. The other big change is the addition of a battery cover, so there is no more need to un-screw the back to change the battery. Available in single or 4 channel versions without a screen, or 4, 8 or 16 channel versions with a screen, as well as single and 4 channel options with timers. Incorporating soft silicone rubber edges and buttons, this is a great remote for use with external products where being a bit more bounce proof is an advantage. All Alpha remotes and receivers are inter-compatible.

Single Channel



RE101

Specifications

Channels	1
Frequency (MHz)	433.92
Codes	Rolling
Wall Mount	Yes

4 Channel



RE102

Specifications

Channels	4
Frequency (MHz)	433.92
Codes	Rolling
Wall Mount	Yes

With the 4, 8 & 16 channel remotes you can control 4, 8 or 16 different motors or receivers separately or any group among them.

The 4T is a 4 channel variant which can set up 8 different open/close times and also select days of the week.



RE103

Specifications

Channels	4, 8, 16, 4T
Frequency (MHz)	433.92
Codes	Rolling
Wall Mount	Yes

Keyring Remote



RE110

Specifications

Channels	1
Frequency (MHz)	433.92
Codes	Rolling



The Navigator series has an elegant and simple design featuring stainless steel edge trim and a near invisible magnetic wall mount. The stainless finish is much more than simply a trim on the edge. It's actually a solid steel chassis to which the front and back panels are attached. This gives the remote a great deal of structural strength, but additionally adds a significant feel of weight and quality in the hand that customers often notice. Available in single and 5 channel without screens, and 4, 8 and 16 channel with screens as well as single and 4 channel options with timers.



RE301

Specifications

Channels	1
Frequency (MHz)	433.92
Codes	Rolling
Magnetic Wall Mount	Yes



RE302

Specifications

Channels	5
Frequency (MHz)	433.92
Codes	Rolling
Magnetic Wall Mount	Yes



RE303

Specifications

Channels	4, 8, 16 1T, 4T
Frequency (MHz)	433.92
Codes	Rolling
Magnetic Wall Mount	Yes

With the 4, 8 & 16 channel remotes you can control 4, 8 or 16 different motors or receivers separately or any group among them.

The 1T & 4T are single and 4 channel variants, either of which can set up 8 different open/close times and also select days of the week.



This series of controllers are surface mounted and designed to suit Decorator wall plates.

(Decorator wall plate not included)



Single channel

(Decorator wall plate not included)

RE601-i-PLUS

Specifications

Channels	1
Frequency (MHz)	433.92
Codes	Rolling
Wall Mount	Decora



4 channel

Decorator wall mount remote with 25%, 50% and 75% between limit selection

(Decorator wall plate not included)

RE602-i-PLUS

Specifications

Channels	4
Frequency (MHz)	433.92
Codes	Rolling
Wall Mount	Decora



The new Alpha Keypad remote is a great way to provide additional security to a point of entry blind or shutter. When use of a blind, awning or shutter needs to be restricted, this is a great solution.

Simply setup the keypad remote with your own personal code between 5 – 16 digits. Then when you want to control the product, simply enter the code, then issue the desired command. The Keypad will then time out back to locked mode after 30 seconds. This item is of course compatible with all our remote control motors and receivers.

KEYPAD

Specifications

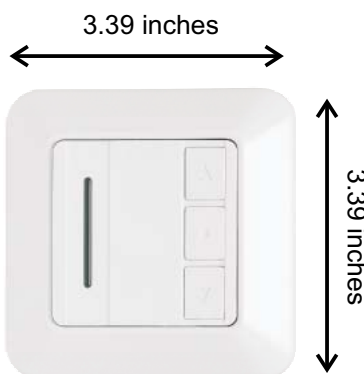
Frequency (Mhz)	433.92
Codes	Rolling
Protection Index	IP44
Power	CR2032
Transmit Distance (m)	100
Dimensions (mm)	93x77x11

Product Certificates





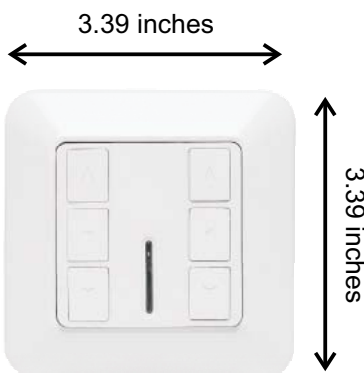
RE201



Specifications

Channels	1
Frequency (MHz)	433.92
Codes	Rolling
Wall Mount	Yes

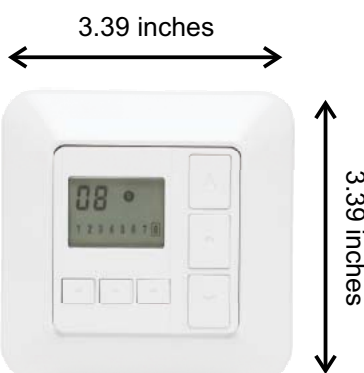
RE202



Specifications

Channels	2
Frequency (MHz)	433.92
Codes	Rolling
Wall Mount	Yes

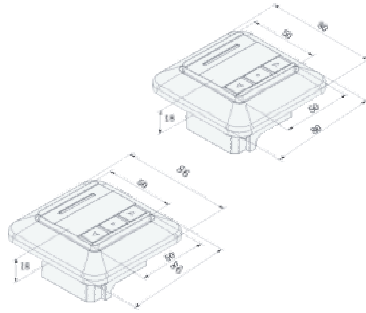
RE203-8C



Specifications

Channels	8
Frequency (MHz)	433.92
Codes	Rolling
Wall Mount	Yes

RC201

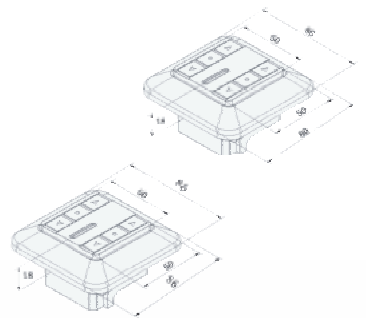


Specifications

Connect with motor	up to 3 units
Frequency (MHz)	433.92
Codes	Rolling
Receiver Power	400W
Voltage	230V 50Hz

Able to operate with a maximum of 15 remotes

RC202

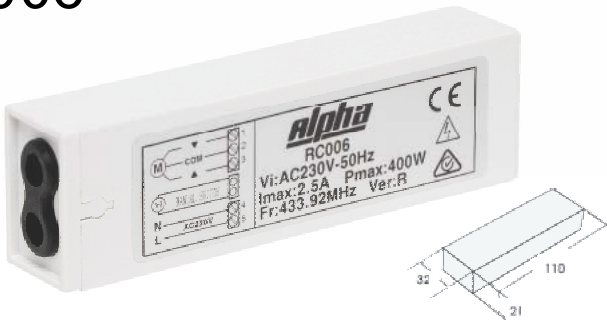


Specifications

Connect with motor	2 units
Frequency (MHz)	433.92
Codes	Rolling
Receiver Power	600W
Voltage	230V 50Hz

Able to operate with a maximum of 15 remotes

RC006



Specifications

Connections for motors	1
Frequency (MHz)	433.92
Codes	Rolling
Voltage	120V 60Hz

Able to operate with a maximum of 15 remotes

RC007



Specifications

Connections for motors	1
Frequency (MHz)	433.92
Codes	Rolling
Voltage	120V 60Hz

Wall mount receiver for high capacity motors with up to 1600 watts current draw. Suitable for all Alpha 4 core motors. Has the option of lighting control with up 500 watts output. Can be used with up to 15 remote controls.

RE-DCE

Relay controlled remote



This device is a single channel remote control that plugs into a power point for permanent power and is controlled by connecting the device to relays in a control system or other switches. There are 4 wires connected this item: common, up, stop, and down. When the common wire comes into contact with any of the control wires, the function for that wire will be sent out to any WSER series motors or remote receivers this device is assigned to.

This device allows remote control Alpha motors to be operated by a huge variety of building management systems, automation equipment, press buttons or key turn switches as well as a remote control. This device is not practical for use in setting up the motors it will control. This must be done with a standard remote and the RE-DCE can be assigned to the motor separately for additional control options.

When planning your job with this item, only allow for connection to relays or switches that make contact as long as a button or switch is pressed and release automatically afterwards. Do not use rotary switches or switches that lock into position as the item will continue to send out the signal for as long as contact is made. This could produce unwanted results.



RE-DCE Specifications

Channels	1
Frequency (MHz)	433.92
Codes	Rolling
Wall Mount	Yes
Voltage	120V 60Hz

Product Certificates



RS005 Motion Sensor

for folding arm awnings

Available in black or white



This item attaches to the front channel of a retractable awning at either end. It measures the angle of the front bar and the amount of movement created by wind. When the sensitivity setting is reached, it sends a signal to the awning to close.

When used with a retractable awning motor, it will send a pulse to the motor a few times an hour telling the motor it's there and working. If the motor stops detecting this pulse due to drained batteries or failure, it will automatically retract the awning after about half an hour to both protect the awning and to alert the owner that the motion sensor is not working. Once the pulse is restored (usually by installing new batteries) normal operation will resume.



Although this item will control a Universal motor, the Universal motor does not have the extra protective functions mentioned above if the item stops sending the pulse. The motion sensor is a more reliable method of protection than the Sun/Wind sensors as it responds to actual physical movement of the front bar and not the wind speed detected by a device mounted nearby.

This unit has 9 pre-determined sensitivity settings.

Cannot be used in conjunction with Sun/Wind Sensors.

RS005W (white)

RS005B (black)

Specifications

Frequency (MHz)	433.92
Codes	Rolling
Protection Index	IP44
Power	2x AAA Batteries



Product Certificates



RS001

Solar wind & sun sensor

The RS001 cannot be used in conjunction with Motion Sensors

Specifications

Frequency (MHz)	433.92
Codes	Rolling
Protection Index	IP44
Display	LED
Power	Solar Panel & Rechargeable Battery

- Programmable with 5 wind speed and 9 light intensity settings
- Usable as sun and wind sensor where wind overrides sun
- Sun sensor can be disabled if required
- For use with WSER Series motors



RS102

Internal sun sensor

Specifications

Frequency (MHz)	433.92
Codes	Rolling
Protection Index	IP44
Display	LED
Power	3V Lithium Battery (CR2032)

- 3 fixed and 1 user setting.
- Includes timer functions that allow 8 up and down timed operations.





**The Alpha Drapery System
COMING SOON**

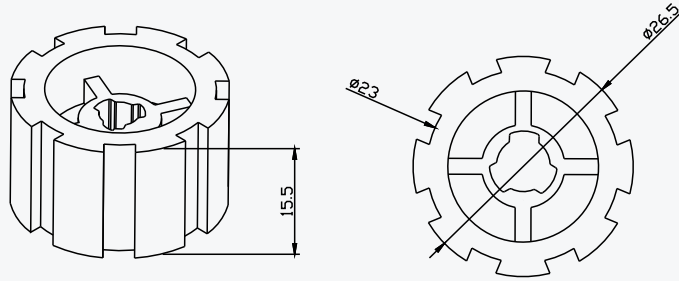
Accessories



Crown & Drive Adapters

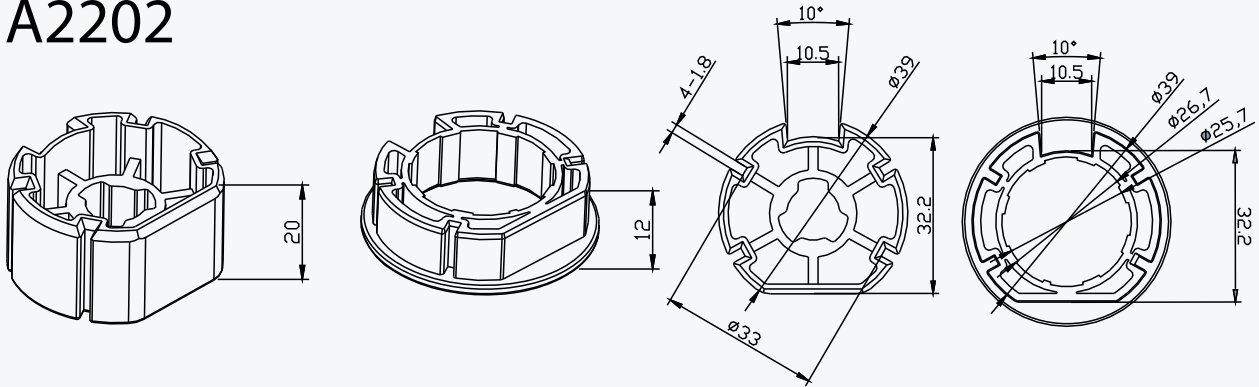
*Measurements listed are in millimeters

A2201

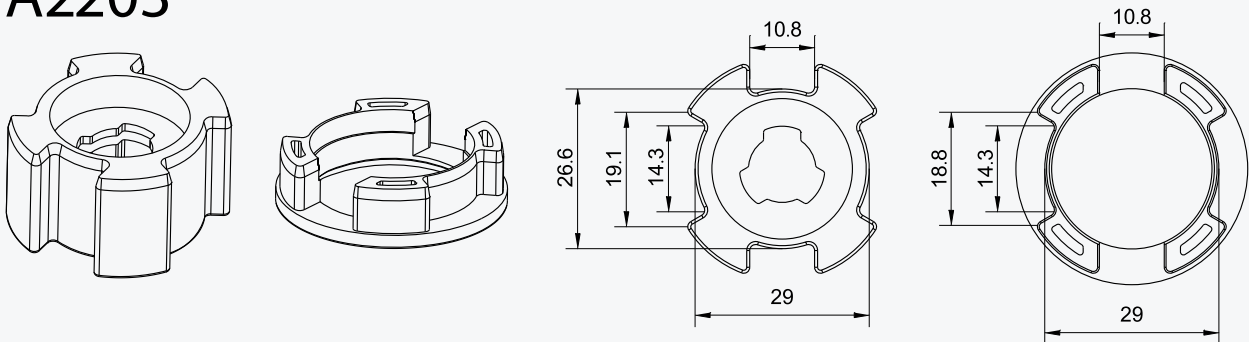


No crown required

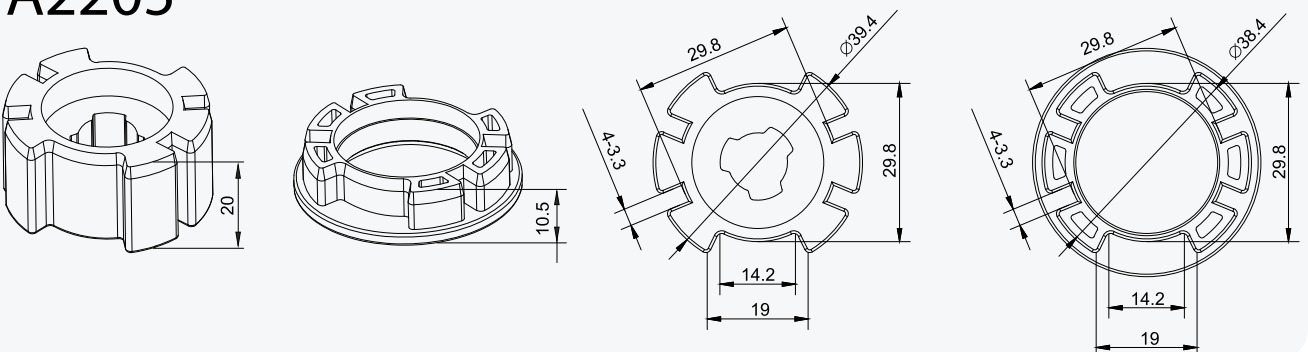
A2202



A2203



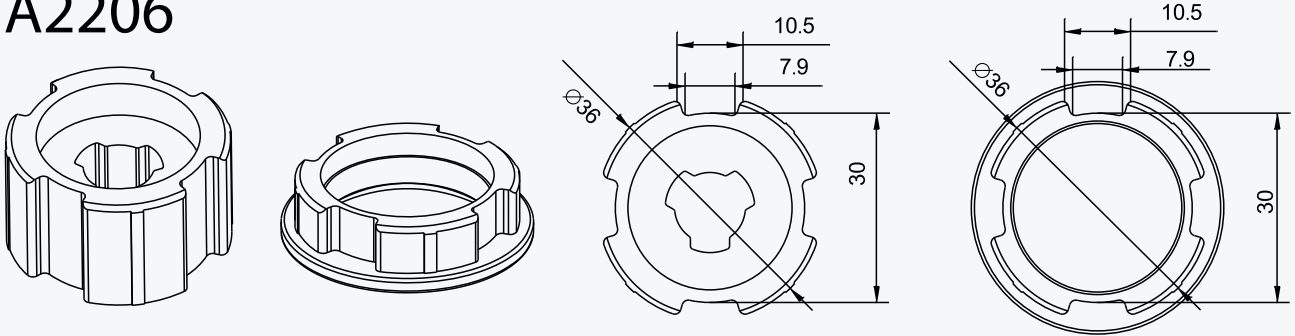
A2205



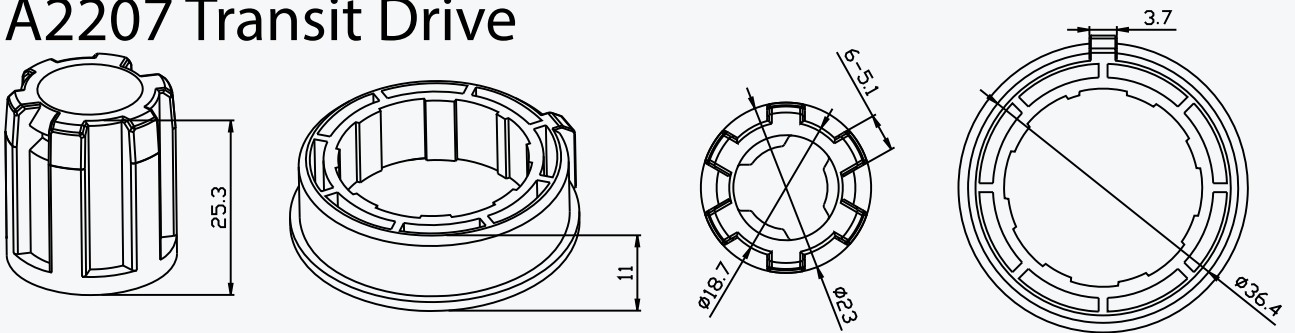
Crown & Drive Adapters

*Measurements listed are in millimeters

A2206

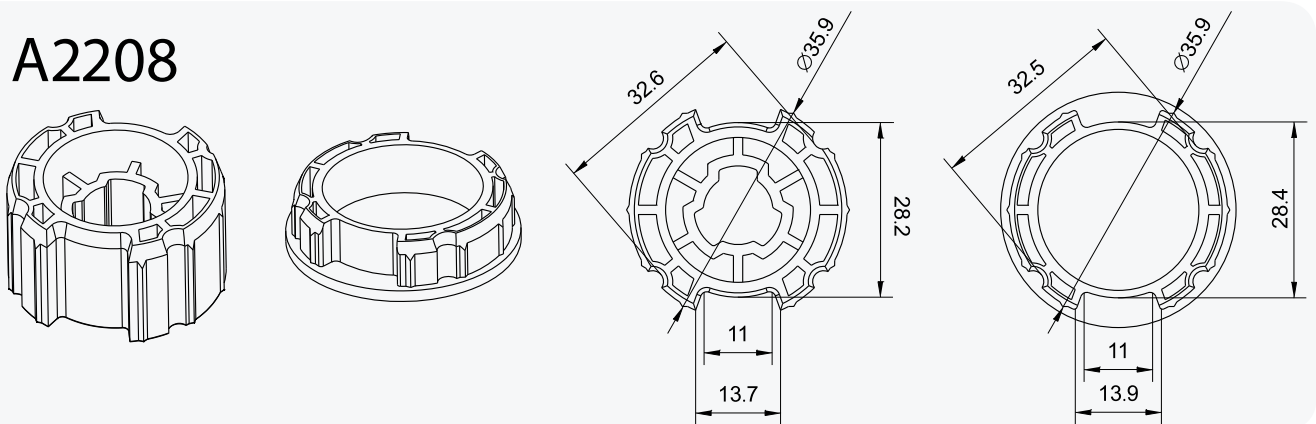


A2207 Transit Drive

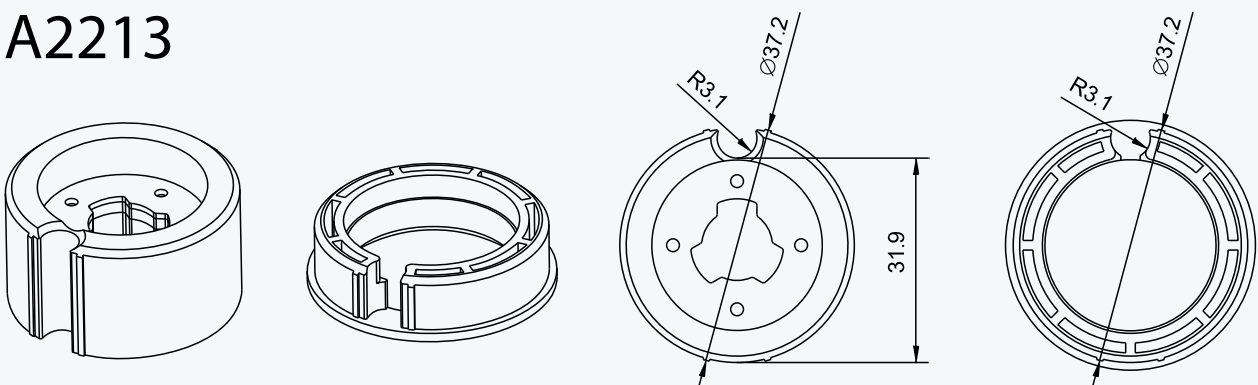


These are adapters to allow connection of our 35mm motor fittings onto a 25mm motor.

A2208



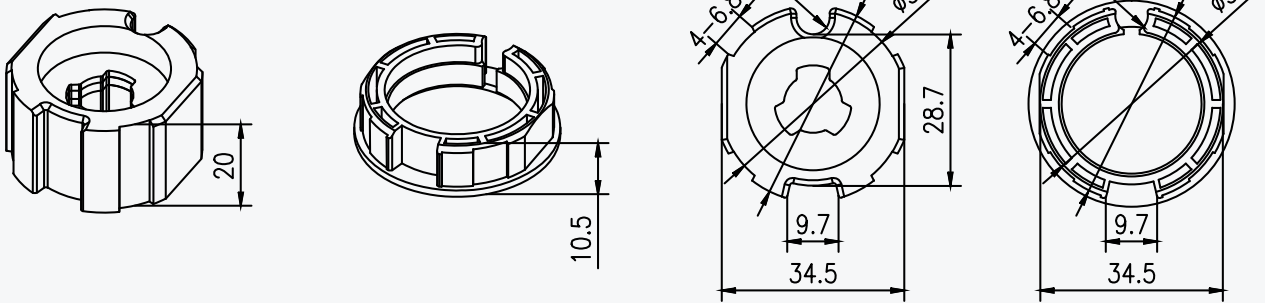
A2213



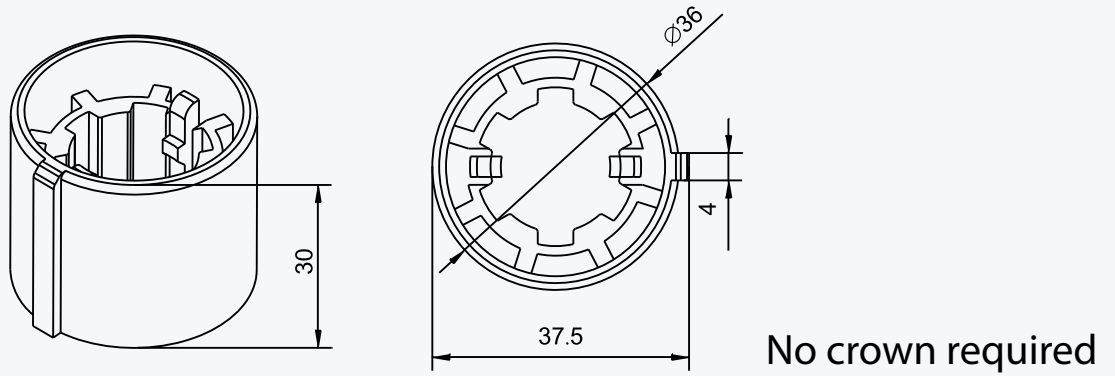
Crown & Drive Adapters

*Measurements listed are in millimeters

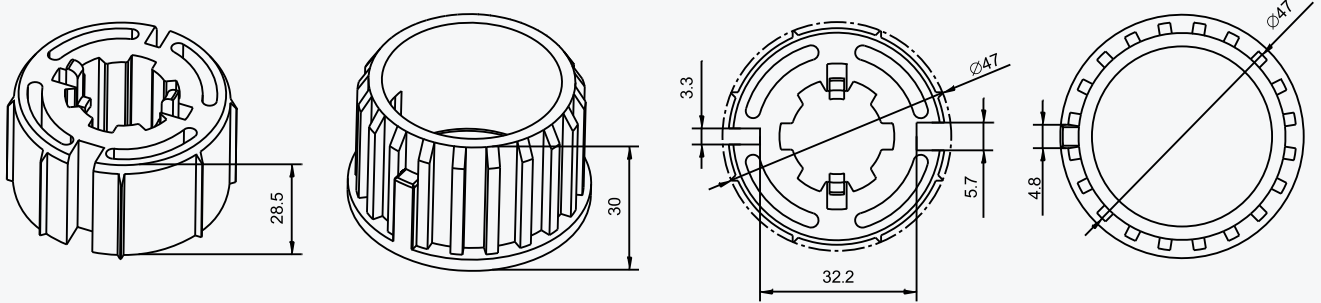
A2214



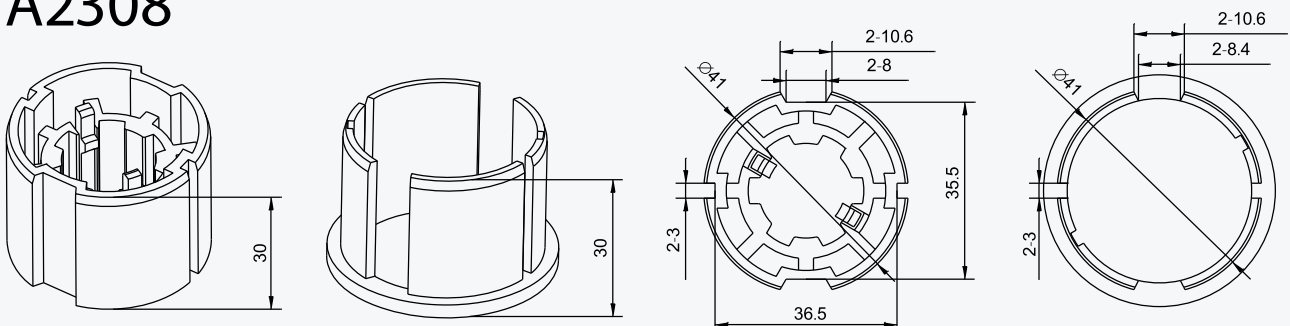
A2305



A2307



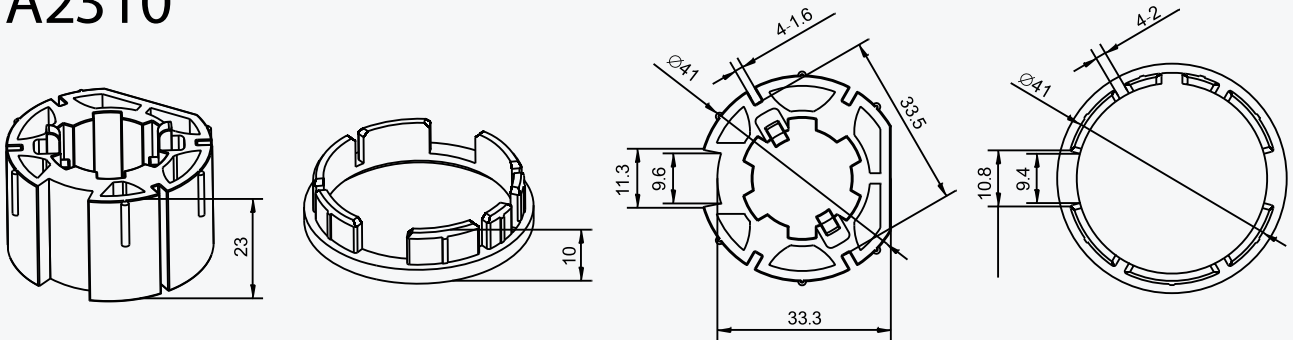
A2308



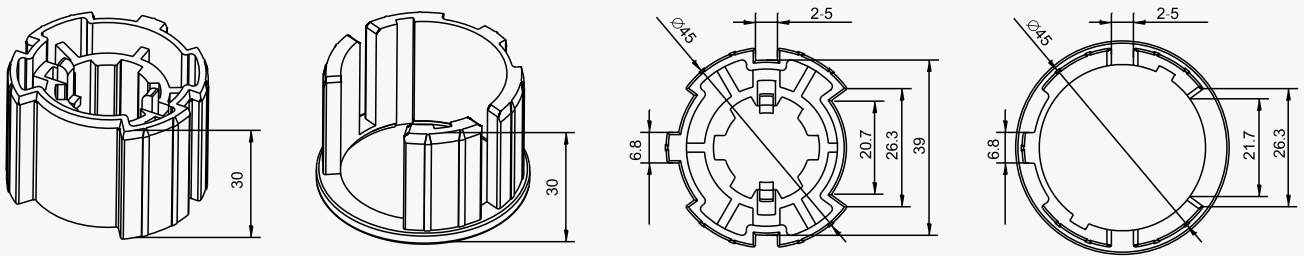
Crown & Drive Adapters

*Measurements listed are in millimeters

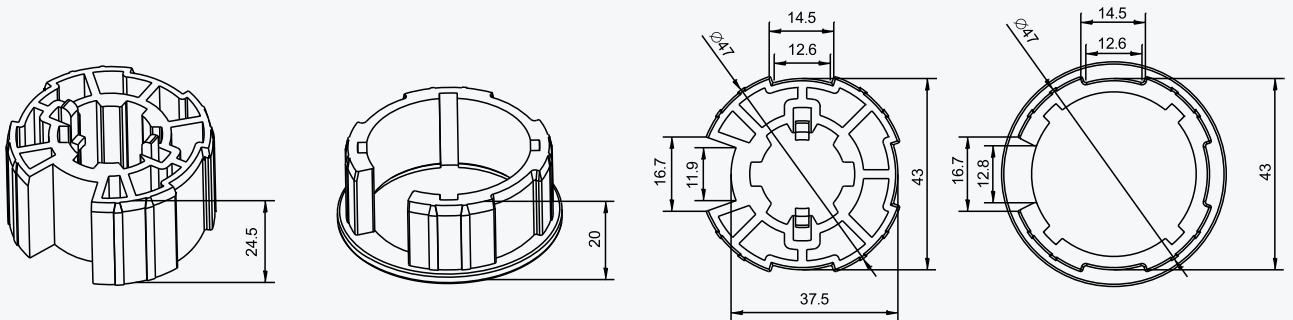
A2310



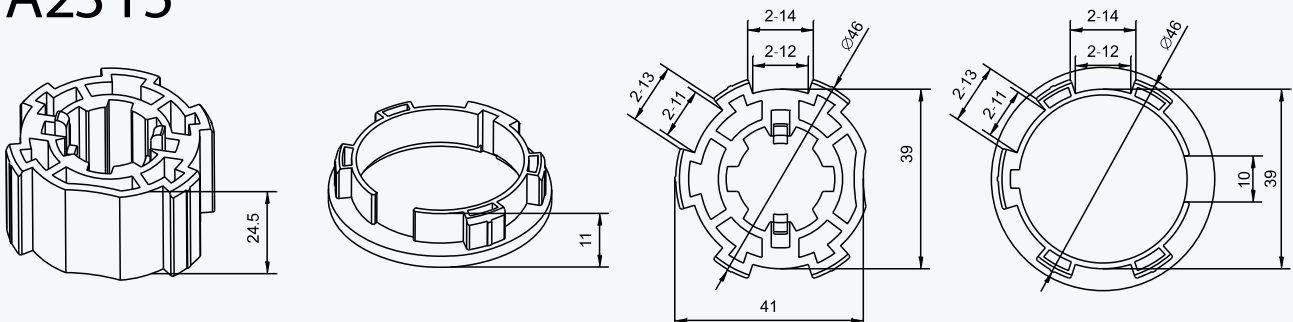
A2313



A2314



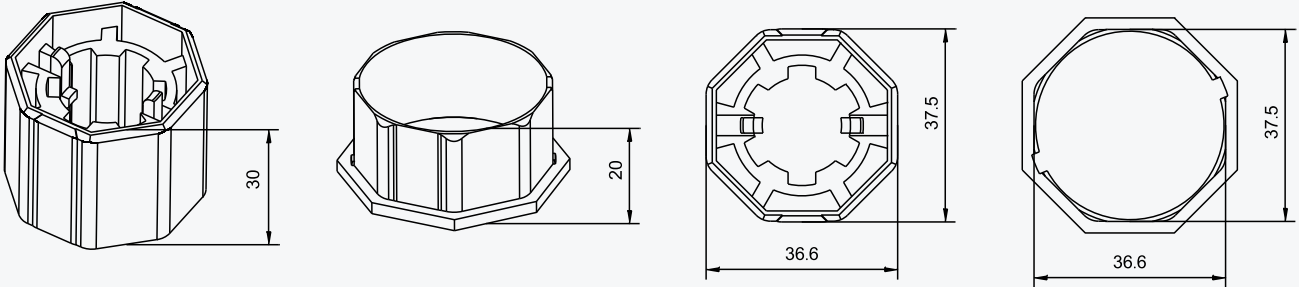
A2315



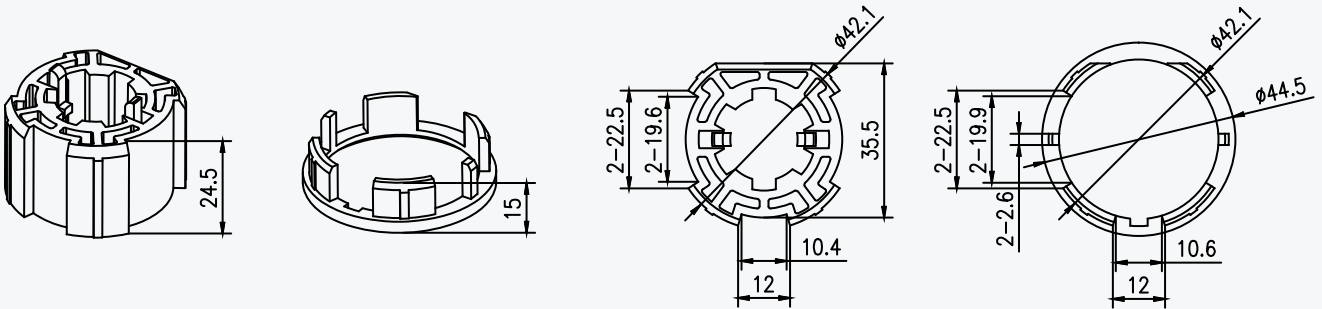
Crown & Drive Adapters

*Measurements listed are in millimeters

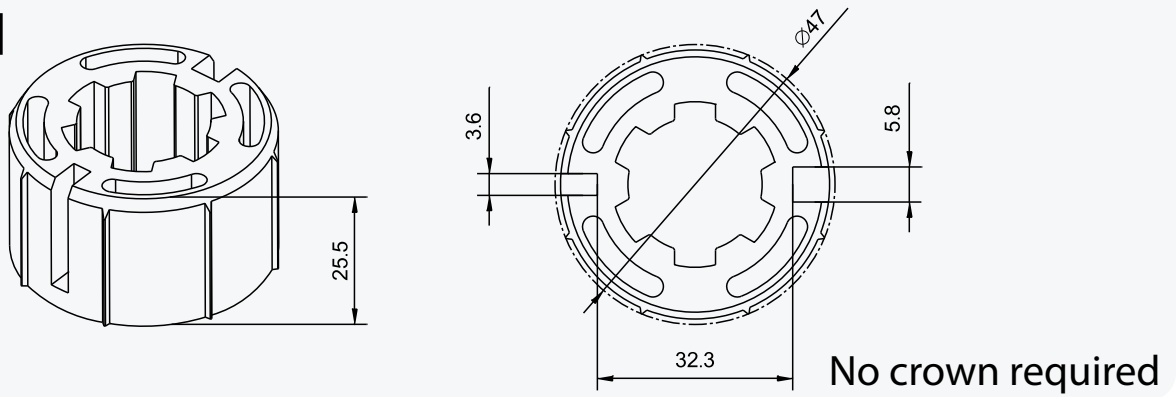
A2320



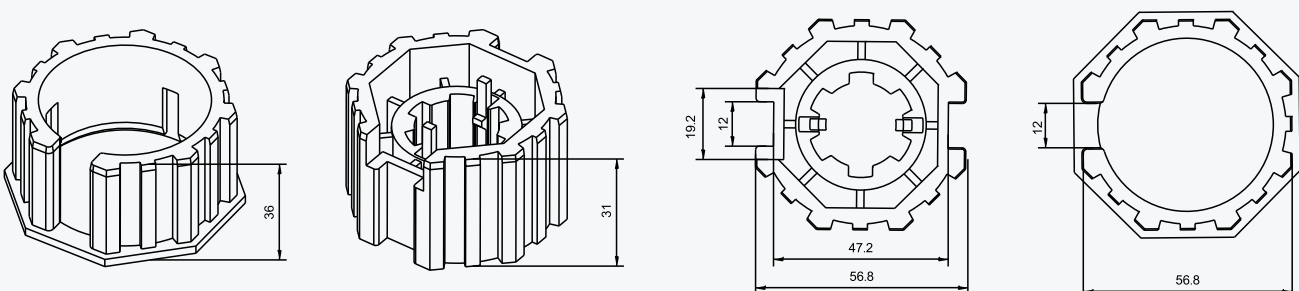
A2334



A2401



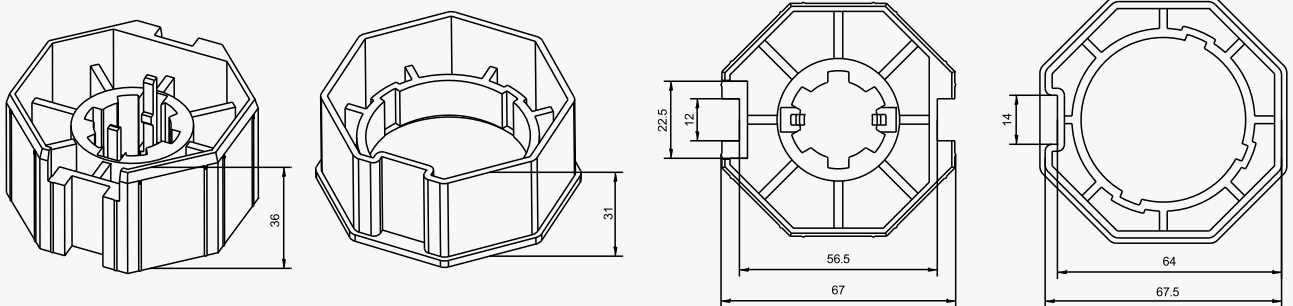
A2404



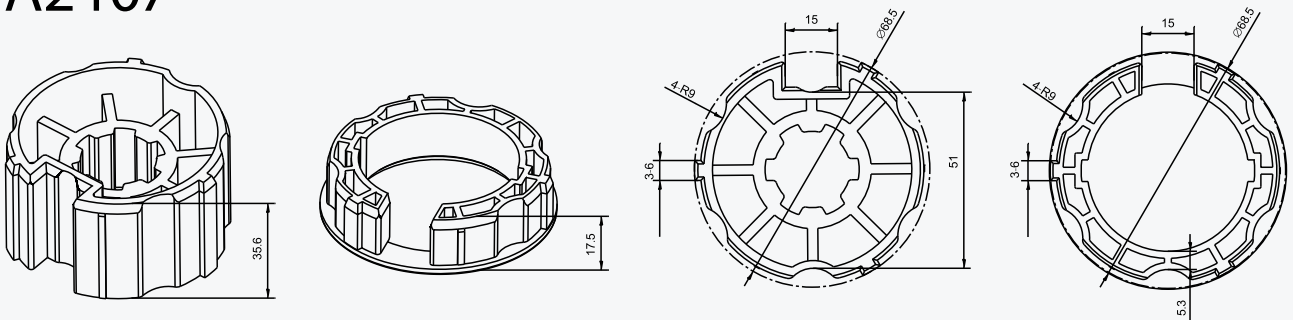
Crown & Drive Adapters

*Measurements listed are in millimeters

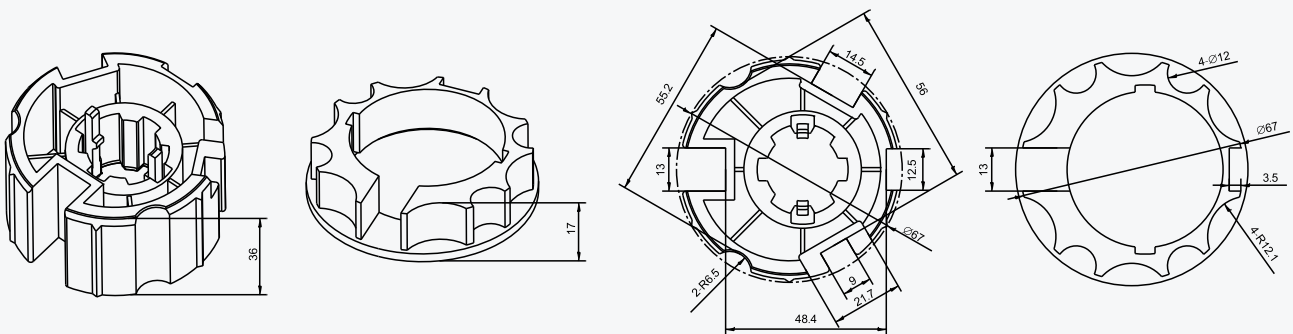
A2406



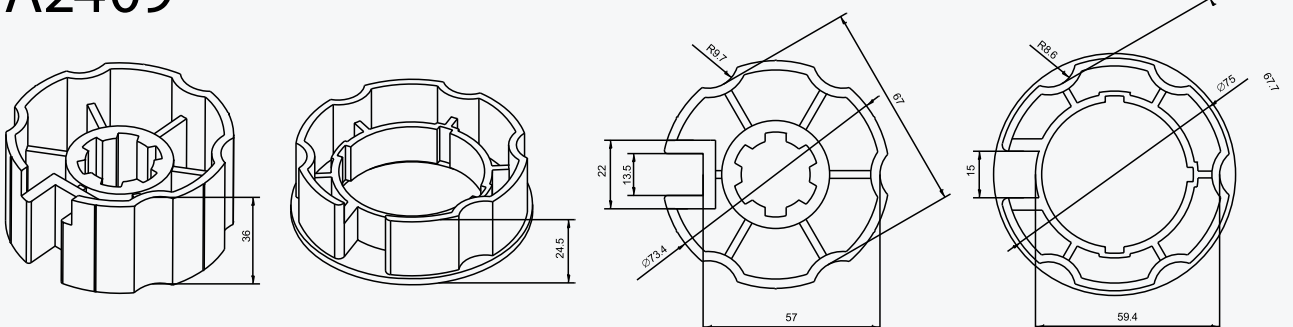
A2407



A2408



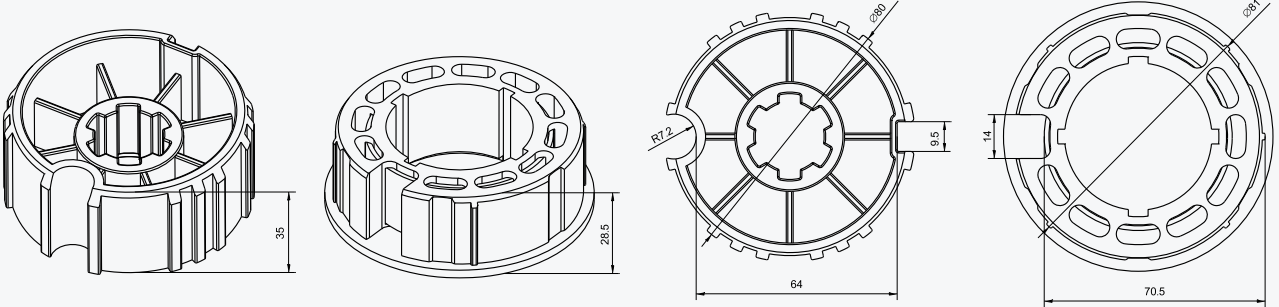
A2409



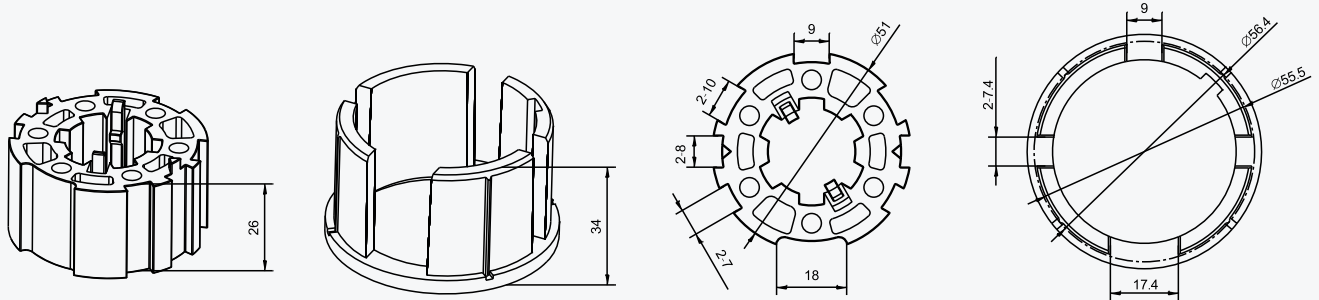
Crown & Drive Adapters

*Measurements listed are in millimeters

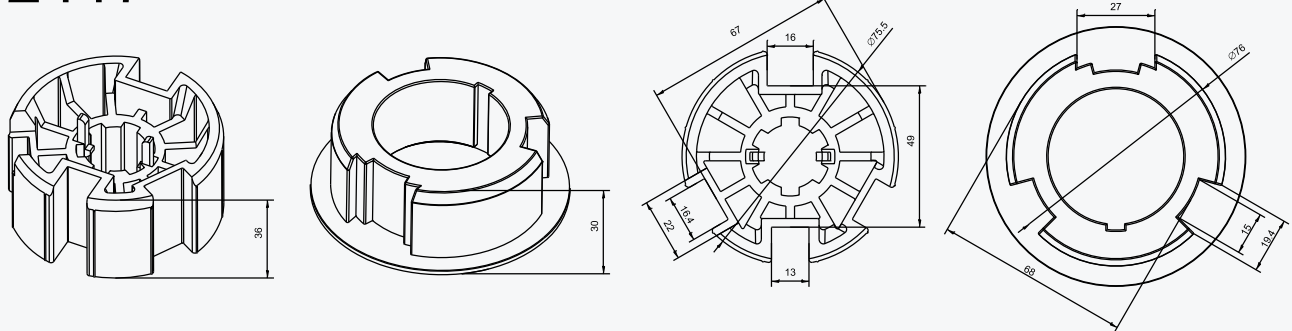
A2410



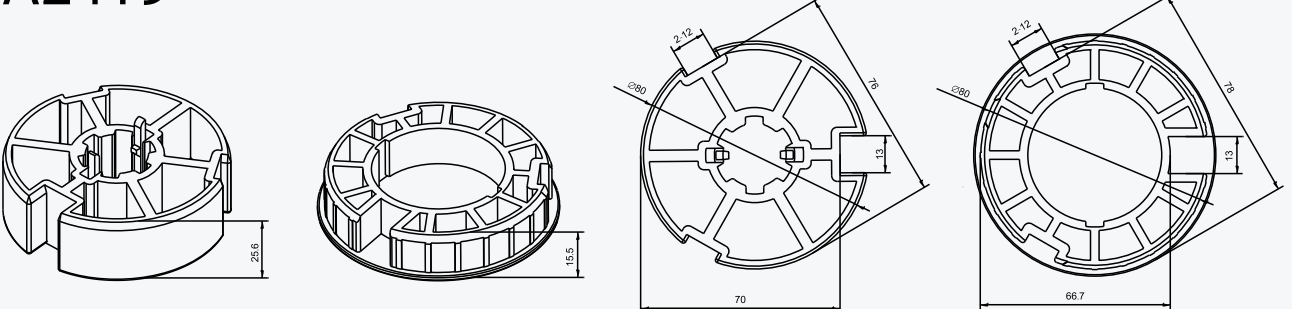
A2415



2417



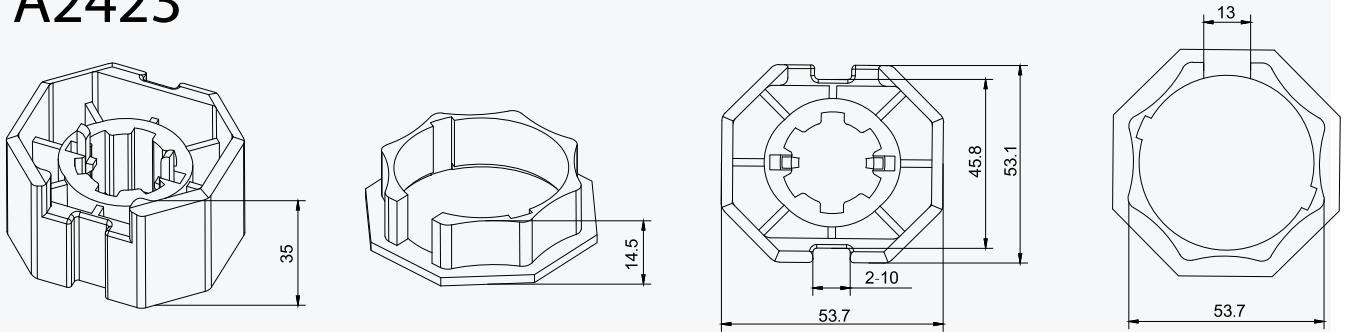
A2419



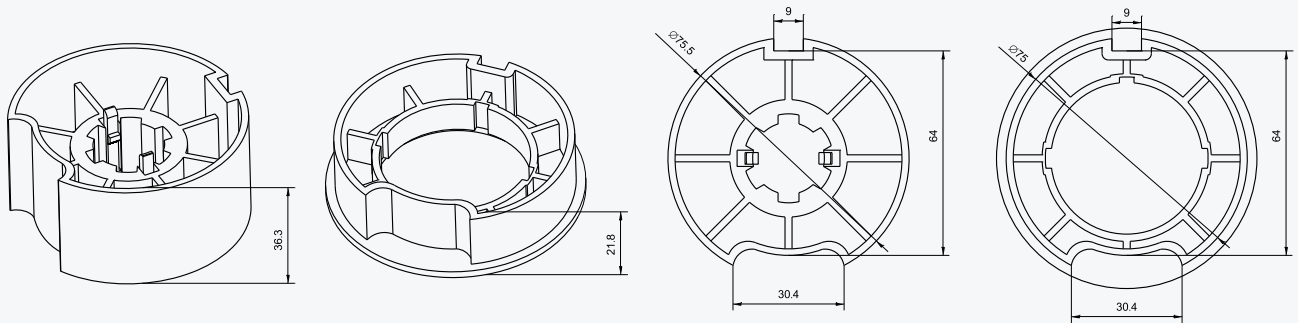
Crown & Drive Adapters

*Measurements listed are in millimeters

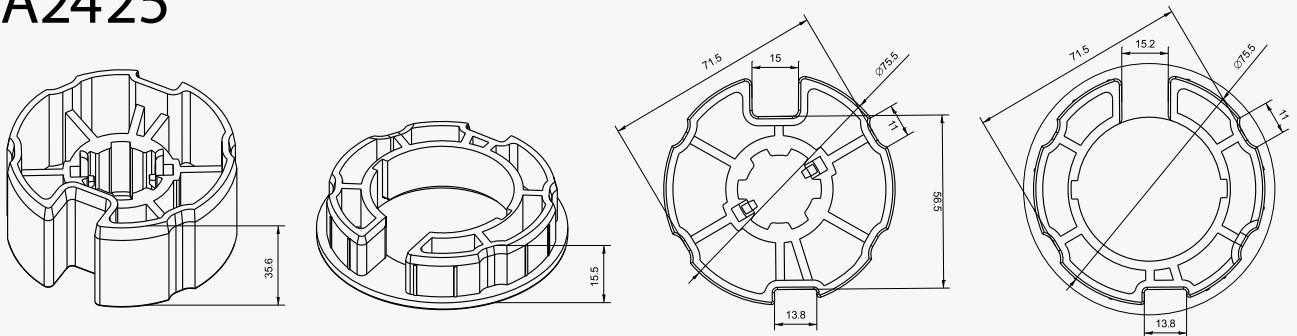
A2423



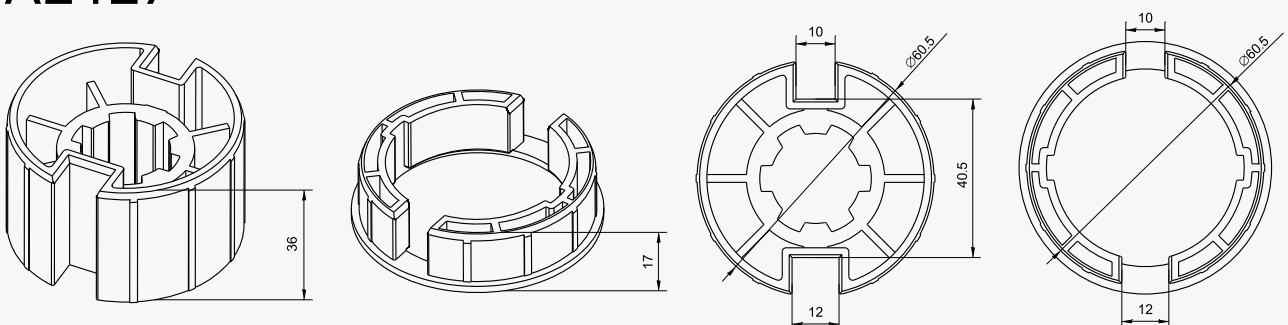
A2424



A2425



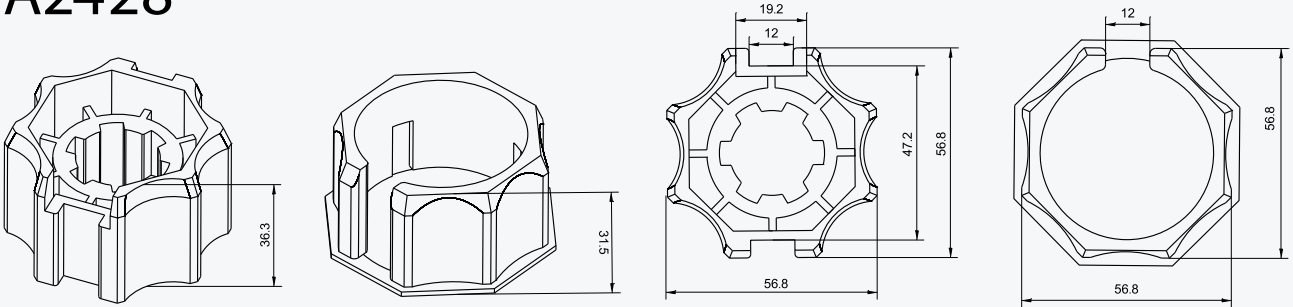
A2427



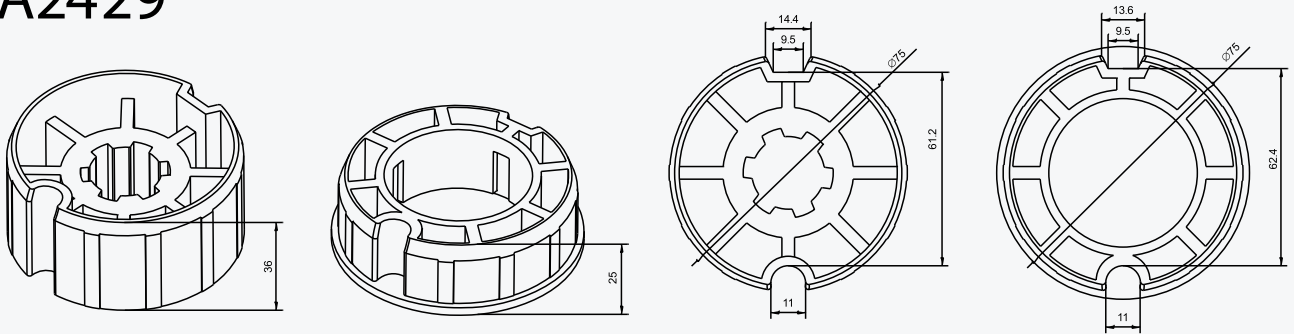
Crown & Drive Adapters

*Measurements listed are in millimeters

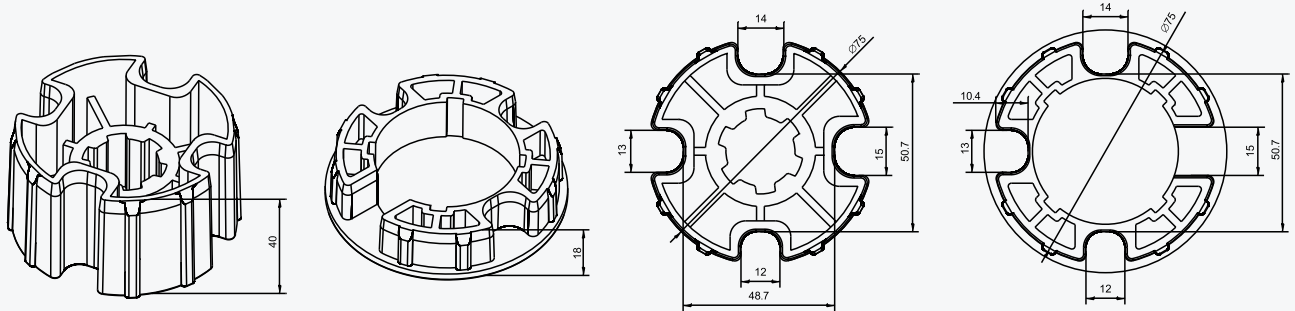
A2428



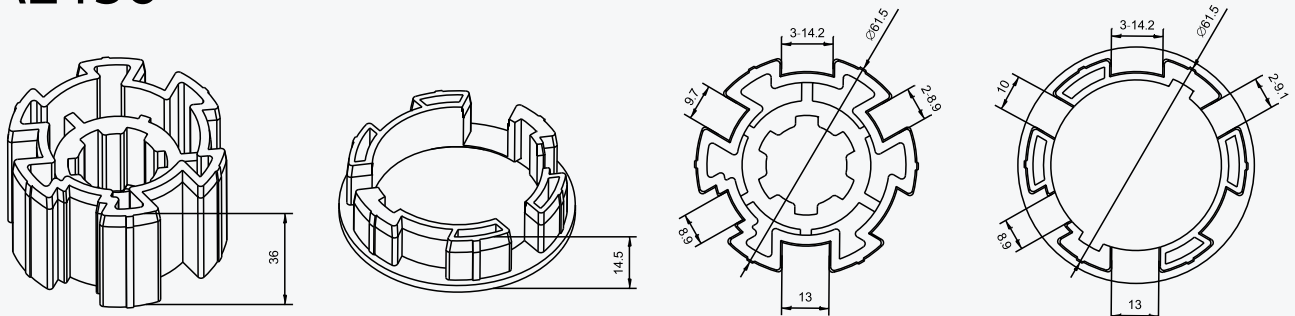
A2429



A2434



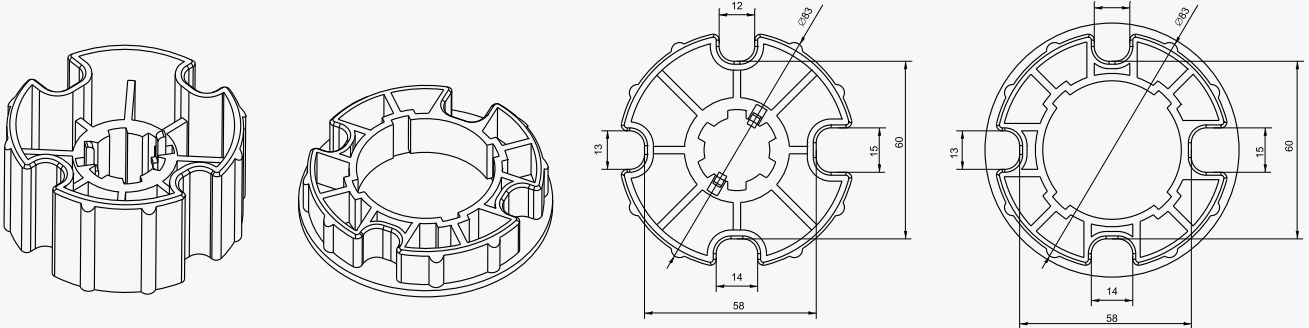
A2436



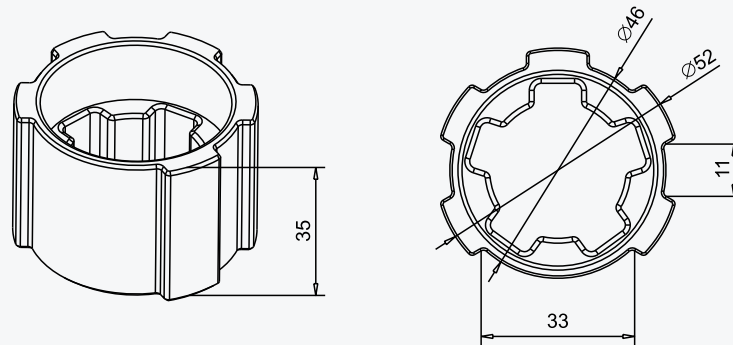
Crown & Drive Adapters

*Measurements listed are in millimeters

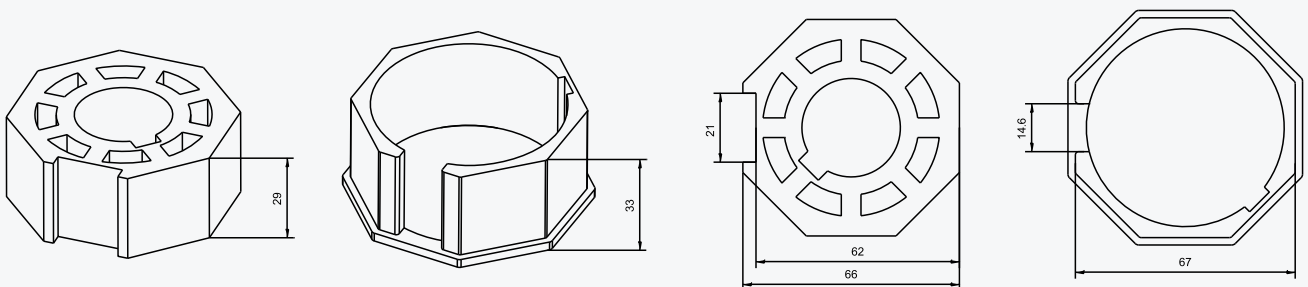
A2437



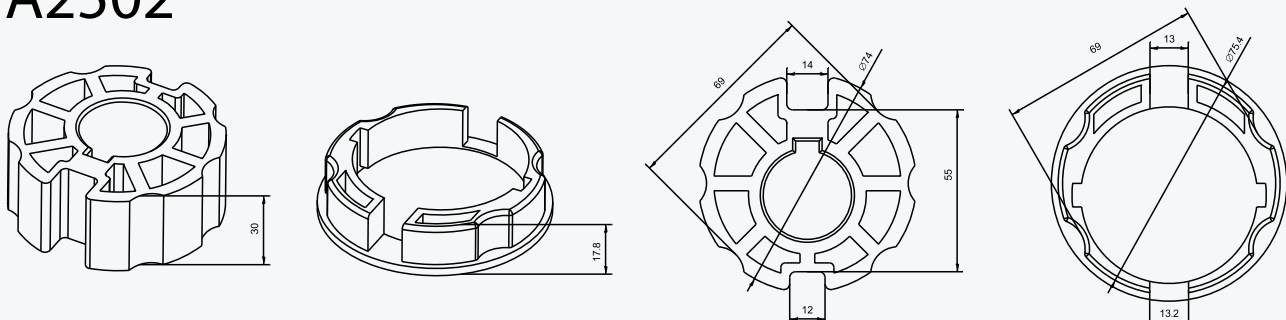
A2453



A2501



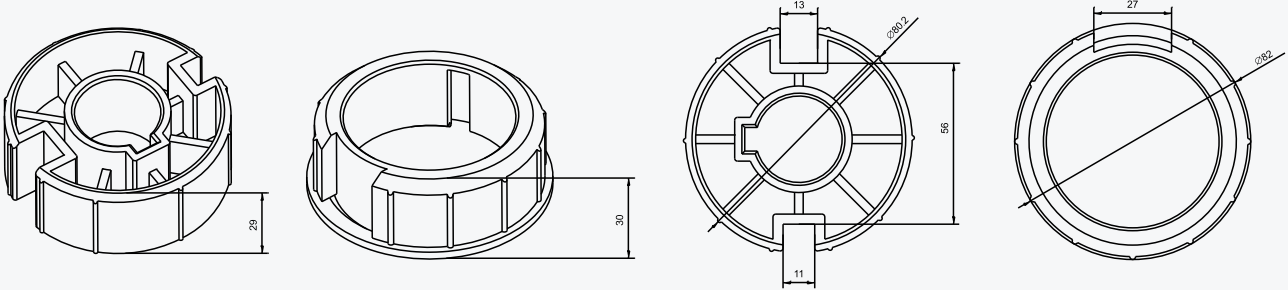
A2502



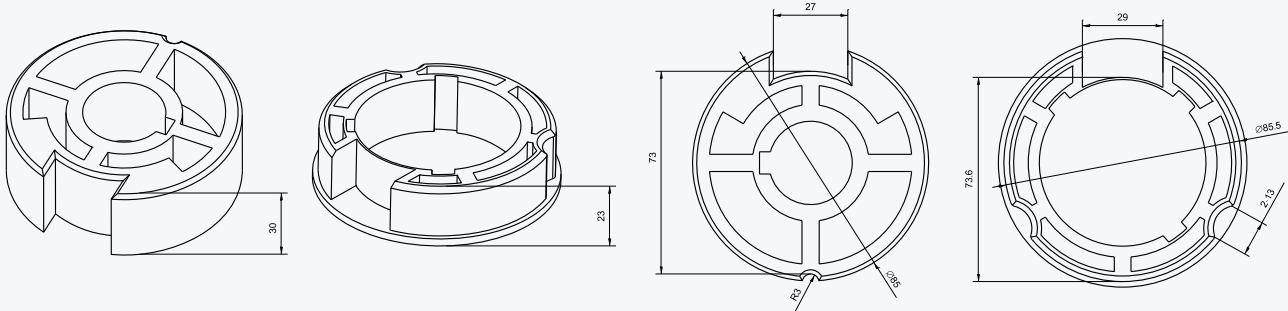
Crown & Drive Adapters

*Measurements listed are in millimeters

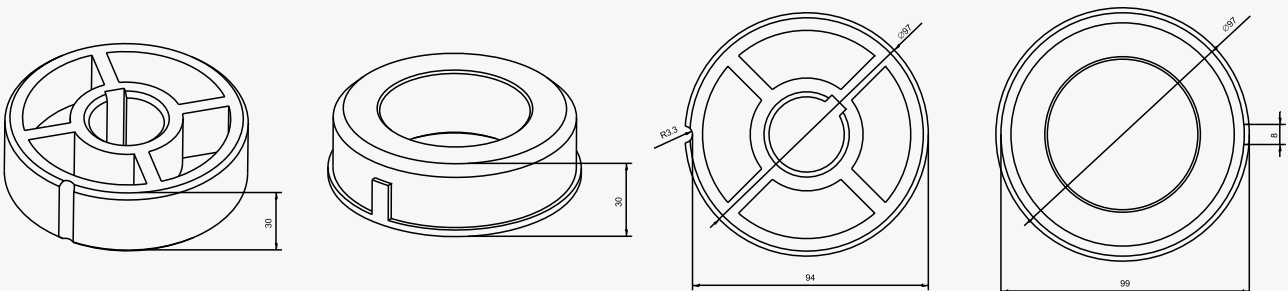
A2503



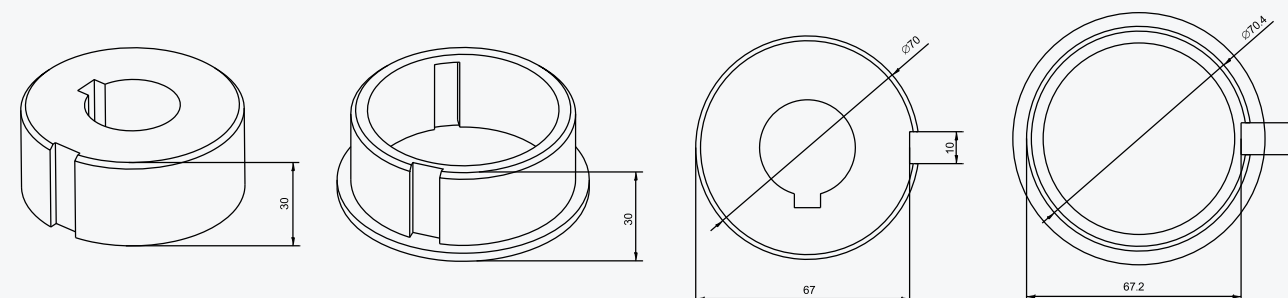
A2504



A2505

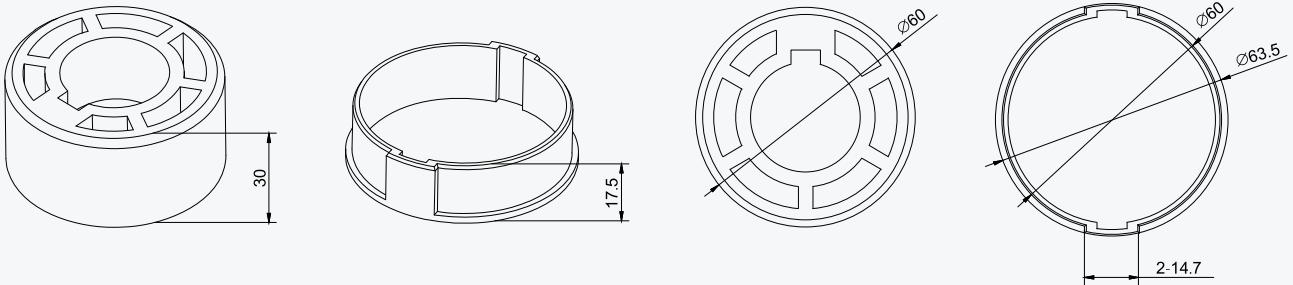


A2506



*Measurements listed are in millimeters

A2602



Lots more coming ... We are always adding new crowns and drives to our range.

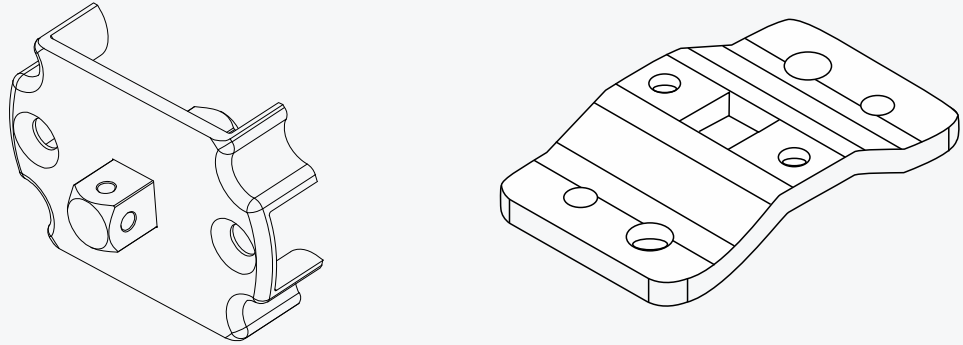
If you don't currently see a suitable fitting for your tube please contact our team to find out if there is a suitable variant available.

+1 (909) 307-2320

Brackets

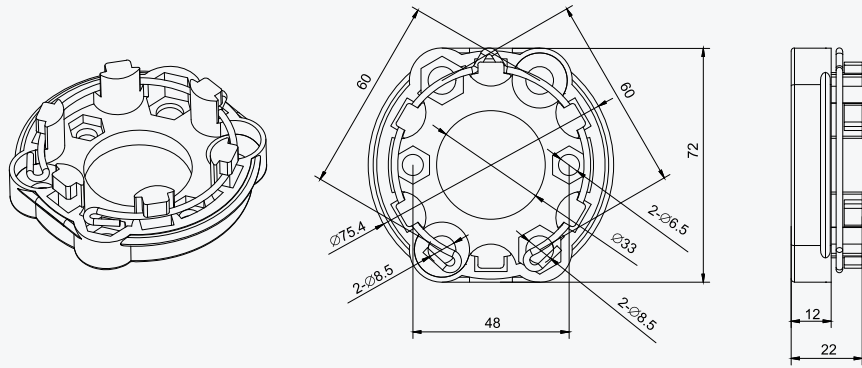
*Measurements listed are in millimeters

A3438



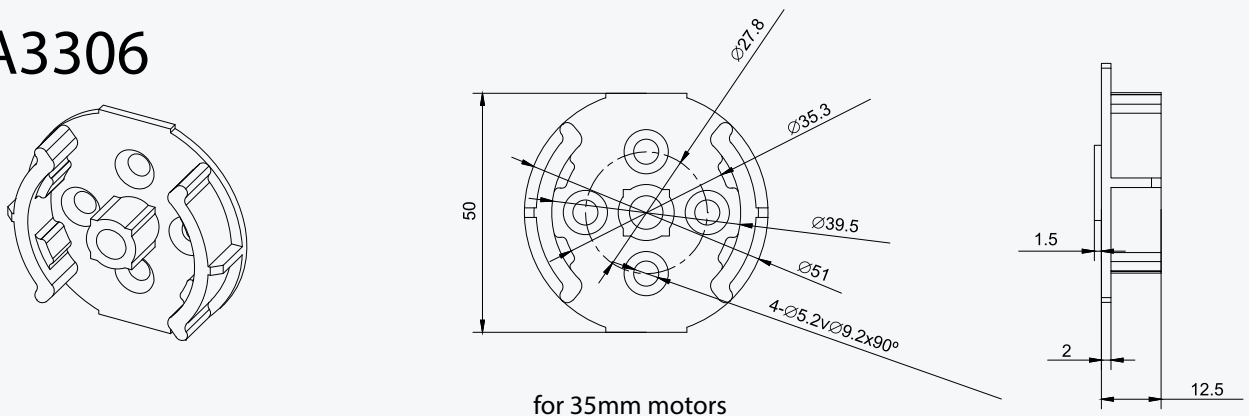
Motor bracket and mounting plate for star head motor only.

A3440



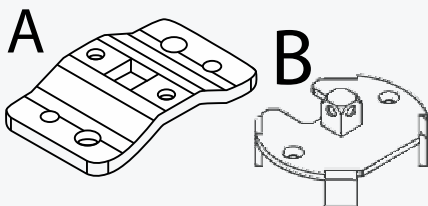
Quick release mounting plate to secure star head motor.

A3306



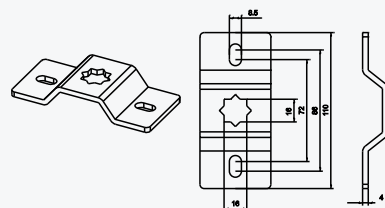
for 35mm motors

A3005



Block and Pin style bracket
Available galvanized or in stainless steel

A3006



plates for 50mm motors
NOTE: For all 50mm motors with 10mm block on end

A3007

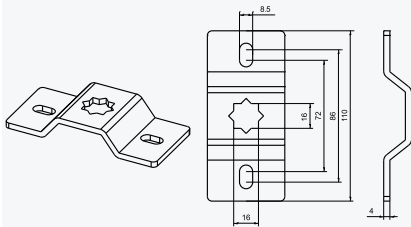


plate for 60mm motors

A3007-4

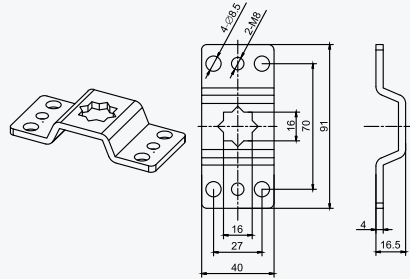
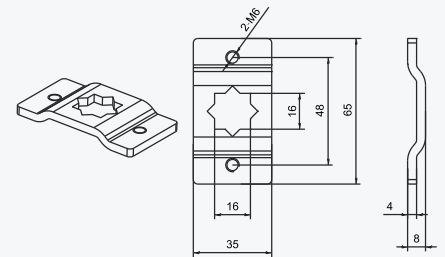


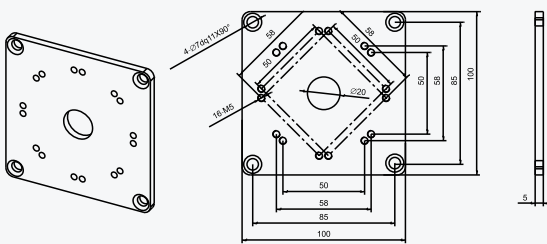
plate for 60mm motors

A3636



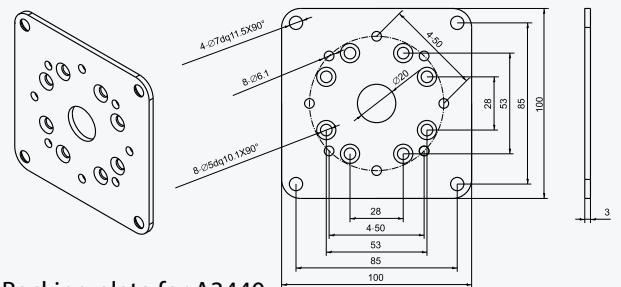
compact plate for 60mm motors

A3402



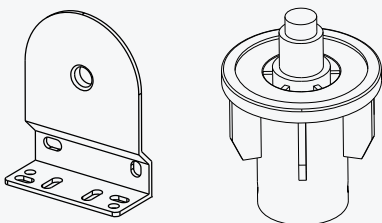
100x100mm plate for manual override motors

A3428

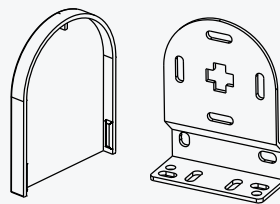


Backing plate for A3440

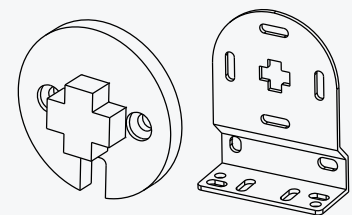
A3202



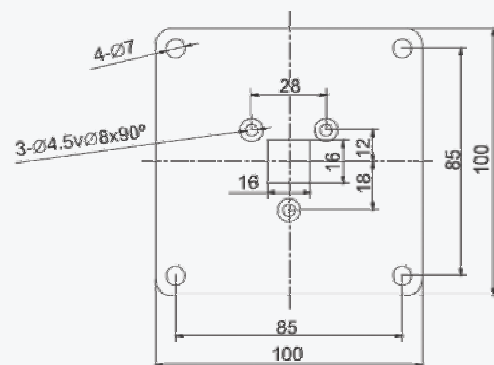
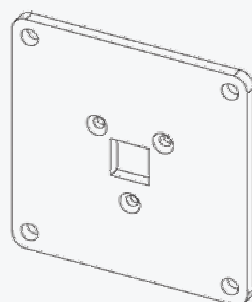
A3203



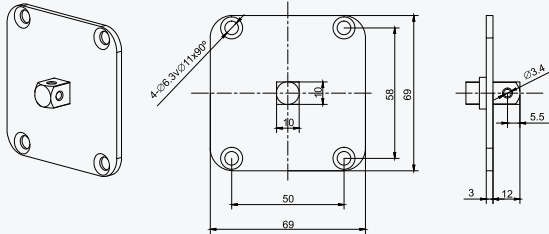
A3205



A3502

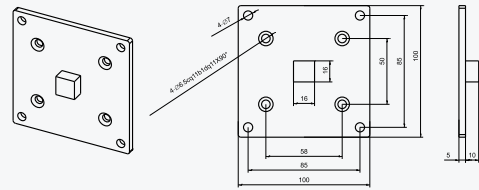


A3441



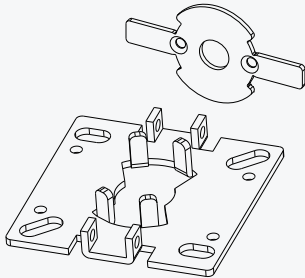
Manual override mounting plate

A3501



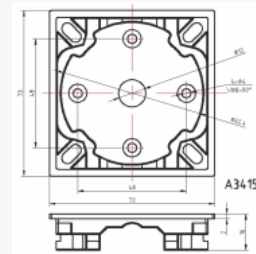
Mounting plate for 60mm manual override motors

A3044



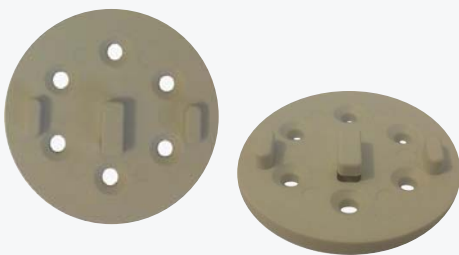
35mm motor plate

A3415



Fast Plug Adapter for 50mm motor plate

A3628



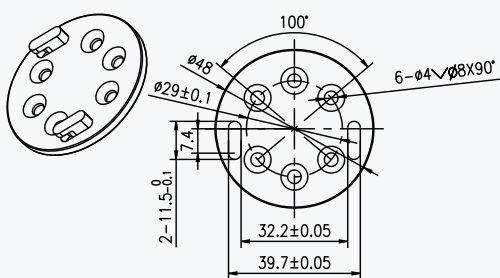
35mm motor plate

A3630



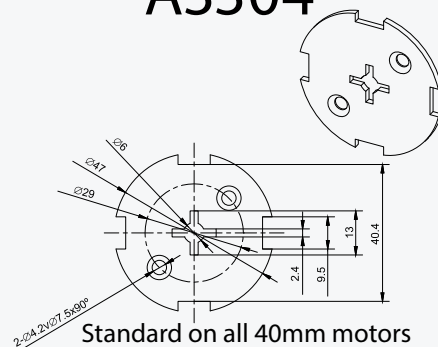
25mm + 35mm motor plate for Skyline brackets

A3207



35mm motor plate

A3304



Standard on all 40mm motors

Molex Cables

AM3CM



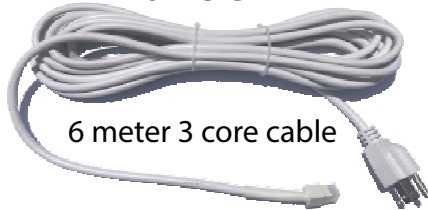
3 meter 3 core cable

AM4CM



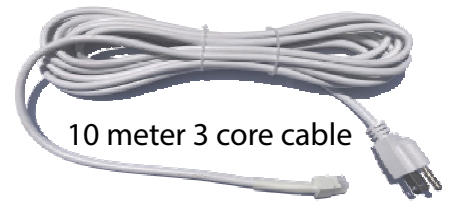
3 meter 4 core cable

6M3CM



6 meter 3 core cable

10M3CM



10 meter 3 core cable

WSB11

Limit Setting Device



Specifications

Limit Setting Device Programming Tool

This device is for setting the limits on WSEC series motors.

All buttons are spring loaded so use as a method of powering other motors temporarily while programming is impractical.

WSB12

Test Lead



Specifications

Test Lead

This item allows you run 4 core WSS series motors in either direction while you set limits.

Alternatively you can use it as a temporary means of powering up 3 core remote control motors while you set limits. Switch is locking so it does not need to be held down.

Currently Alpha's Retractable Awning Motor offerings are a 50Nm and 100Nm motor.

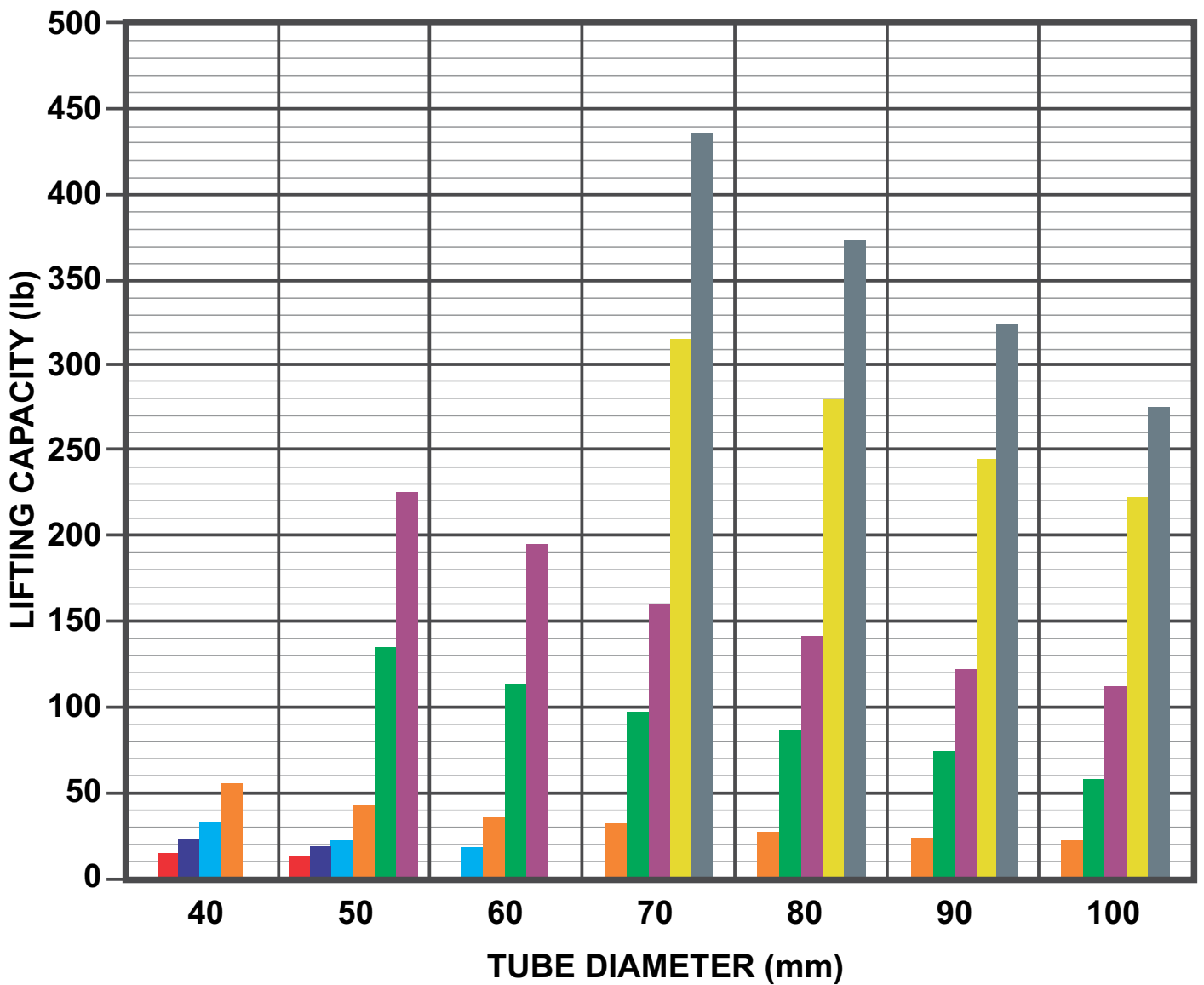
The RED 100Nm listings in the 70mm tube section below indicates that this motor is incompatible with a 70mm tube, due to its physical size.

70MM TUBE

NUMBER OF ARMS	2 ARMS	3 ARMS	4 ARMS
UP TO 5ft PROJECTION	30Nm	30Nm	50Nm
UP TO 6.5ft PROJECTION	30Nm	50Nm	50Nm
UP TO 8ft PROJECTION	30Nm	50Nm	100Nm
UP TO 10ft PROJECTION	50Nm	50Nm	100Nm
UP TO 11.5ft PROJECTION	50Nm	100Nm	100Nm
UP TO 13ft PROJECTION	50Nm	100Nm	100Nm

78MM TUBE

NUMBER OF ARMS	2 ARMS	3 ARMS	4 ARMS
UP TO 5ft PROJECTION	30Nm	50Nm	50Nm
UP TO 6.5ft PROJECTION	30Nm	50Nm	100Nm
UP TO 8ft PROJECTION	50Nm	50Nm	100Nm
UP TO 10ft PROJECTION	50Nm	50Nm	100Nm
UP TO 11.5ft PROJECTION	50Nm	100Nm	100Nm
UP TO 13ft PROJECTION	50Nm	100Nm	100Nm



- 2Nm ■
- 3Nm ■
- 6Nm ■
- 10Nm ■
- 30Nm ■
- 50Nm ■
- 100Nm ■
- 140Nm ■

To use this chart, simply find your tube size at the bottom of the chart, find the colour that matches the capacity of your motor and check against the weights on the left side.