

2020

PRODUCT CATALOG



Alpha
TUBULAR MOTORS LLC

MOTORIZATION MADE EASY

Who is Alpha Motors

Alpha Tubular Motors produce a very high quality range of motorization products and accessories for indoor roller blinds, outdoor awnings, shutters and screens.

Alpha offers reliable, intuitive motorization solutions with a highly competitive edge. Our focus is on genuine high-quality motorization products at a realistic price. All Alpha AC motors carry our 7 year replacement warranty and have been engineered to last 25 years. We also boast some of the most elegant and flexible controllers on the market and our programming is super simple.

Although new to the North American and Canadian markets, Alpha has a strong record of success in Australia where the company was founded. We are currently the second bestselling motor in Australia amongst the usual array of European offerings and we are the best selling motor by far in external products. In some categories like External Straight Drop Screens, we outsell all other brands combined. The reason for this is simple. The combination of high quality and versatility that could only be found in European motors previously at a price retailers were afraid to quote customers, suddenly became available at a price that retailers were willing to actively promote.

In truth, it wasn't easy for us in the early days. Companies that had only used European products were wary in the beginning. So when they did try us, it was usually on the basis of being a second offering in case a customer didn't want to pay the price of a European motor. Typically, after a very short period of time, usually around two months, we would become the preferred or standard offering, and the European motor would be relegated to a "supply on request" offering. Not only did we become the preferred brand, but they started actively promoting motorization in their businesses, and manufacturers that previously sold 10–15 motors a month, were selling 80–100 a month within a year.

At Alpha we place great importance on doing things the right way. We make a point of being ethical in the way we do business and deal with every situation in a manner designed to keep everybody happy. Likewise we always ensure our products are fully compliant to North American standards, including UL and FCC requirements.

Our happy customers within the Australian window coverings and shading systems industry love our products and service, which has given us the huge success we enjoy there. As we expand into the North American market we hope to partner with you on future projects, and that we may help you grow your business and profitability.

David Fezer
Founder & President
Alpha Tubular Motors



Tubular Motors

WSER Remote Control Motors	p 4-8
DC Motor Systems	p 9-10
WSEC Automation System Motor	p 11
WSS Mechanical Limits Motors	p 12-13
Manual Override Motors	p 14-16

Control Systems

Alpha-Neo App & Link Box	p 17
Remote Controls	p 18-21
External Remote Control Receiver	p 21
Relay Controlled Remote	p 22

Sun & Wind Sensors

Motion Sensor	p 23
Sun & Wind Sensors	p 24

Accessories

Manual Override Accessories	p 16
Crown & Drive Adapters	p 26-38
Brackets	p 38-40
Cables for AC Motors	p 41
Limit Setting Device & Test Lead	p 41
Retractable Awning Motor Guide	p 42
Motor Lifting Capacity Chart	p 43

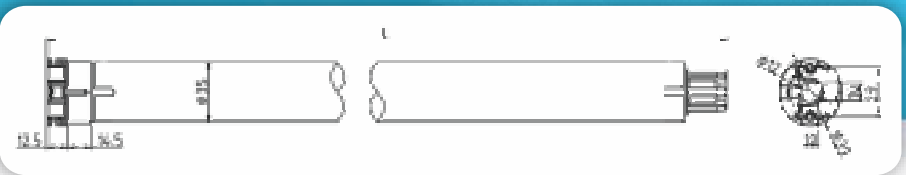
PROUD MEMBER





Electronic Limit Switch

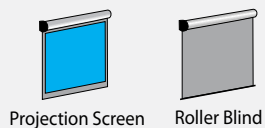
Built-in Receiver Motor
 35mm diameter



7
 ★ ★ ★
YEAR
WARRANTY
 QUALITY
 ASSURED

Specifications - 120V / 60Hz

Type	6/34
Rated Torque (Nm)	6
Output Speed (rpm)	34
Nominal Consumption (W)	103
Nominal Voltage (V)	120
Nominal Current (A)	0.88
Running Time (Min)	4
Protection Index (IP)	44
Total Length (in)	23.62
Maximum Turns (Turn)	∞
Net Weight (lb)	3



Product Certificates



WSER50

universal

- 7 year replacement warranty
- Electronic limit switch
- Built-in receiver
- Wireless limit setting
- External antenna

5

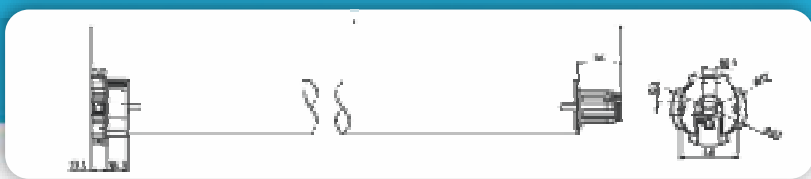
The WSER50 series Universal motors are a premium motor designed specifically for external straight drop products.

Due to the torque stop function, this motor is ideal for all external drop screen systems. This protective feature can be used to stop on stoppers at the top limit in side channel systems and can also be used to tension the fabric when the shade is down. A top limit is set normally and the torque stop function can be used in conjunction.



Electronic Limit Switch

Built-in Receiver Motor
45mm diameter



Specifications - 120V / 60Hz

Type	10/33	30/16	50/16
Rated Torque (Nm)	10	30	50
Output Speed (rpm)	33	16	16
Nominal Consumption (W)	186	186	280
Nominal Voltage (V)	120	120	120
Nominal Current (A)	1.60	1.60	2.40
Running Time (Min)	4	4	4
Protection Index (IP)	44	44	44
Total Length (in)	24.80	23.62	24.80
Maximum Turns (Turn)	∞	∞	∞
Net Weight (lb)	5.07	5.40	5.84



Product Certificates



WSER50

retractable awning motor

7 year replacement warranty
Electronic limit switch
Built-in receiver
Wireless limit setting
External antenna

The WSER50 retractable awning motor are designed to automatically set their inner limit based on tension. It will also allow you to set the inner limit manually if you require.

When using the auto inner limit setting, the outer limit is set manually using the remote and it will find its own inner stopping position by detecting the resistance as it reaches the fully closed position the first time it is closed. After this, the motor will stop in this position after detecting an increased resistance of 25% while moving.

On larger retractable awnings, 25% is sometimes not enough so you can increase this to 50%, 75% or 100% if required. It's rare to need this adjustment but it's a good feature to have.

When used with Sun/Wind sensors or Motion sensors, this motor detects a pulse from the sensor issued every 20 minutes. If the awning is out and does not receive a signal from the sensor for half an hour, it will close itself automatically as a protective measure assuming the sensor has failed or the batteries are drained.

This safety feature is the main reason you should always choose this motor for retractable awnings if a sensor is going to be used.



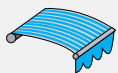
Electronic Limit Switch

Built-in Receiver Motor

45mm diameter



7
★ ★ ★
YEAR
WARRANTY
QUALITY
ASSURED



Awning



Specifications - 120V / 60Hz

Type	30/16	50/16
Rated Torque (Nm)	30	50
Output Speed (rpm)	16	16
Nominal Consumption (W)	186	280
Nominal Voltage (V)	120	120
Nominal Current (A)	1.60	2.40
Running Time (Min)	4	4
Protection Index (IP)	44	44
Total Length (in)	23.62	24.80
Maximum Turns (Turn)	∞	∞
Net Weight (lb)	5.40	5.84

Product Certificates



WSER50 OD

obstacle detection motor with star head

7 year replacement warranty
Electronic limit switch
Built-in receiver
Wireless limit setting
External antenna

7

This motor has a star head to suit many common mountings and is ideal for zip systems.

It incorporates obstacle detection in both directions so that it can stop on stoppers at the top limit if necessary.

If, on the way down, the motor detects that the bottom bar has stopped moving in the channel due to getting stuck or hitting an object, it will rebound to a higher point and attempt to go down again.

After attempting this 3 times unsuccessfully, it will return to the rebound position and stop.



Electronic Limit Switch Built-in Receiver Motor 45mm diameter

7
★ ★ ★
YEAR
WARRANTY
QUALITY
ASSURED



External Zip System



Product Certificates



Specifications - 120V / 60Hz

Type	30/16
Rated Torque (Nm)	30
Output Speed (rpm)	16
Nominal Consumption (W)	186
Nominal Voltage (V)	120
Nominal Current (A)	1.60
Running Time (Min)	4
Protection Index (IP)	44
Total Length (in)	23.62
Maximum Turns (Turn)	∞
Net Weight (lb)	5.40



The WSERD30-B motor has internal lithium rechargeable batteries with approximately 12 months of average use. It can be used on blinds up to 10ft x 10ft.

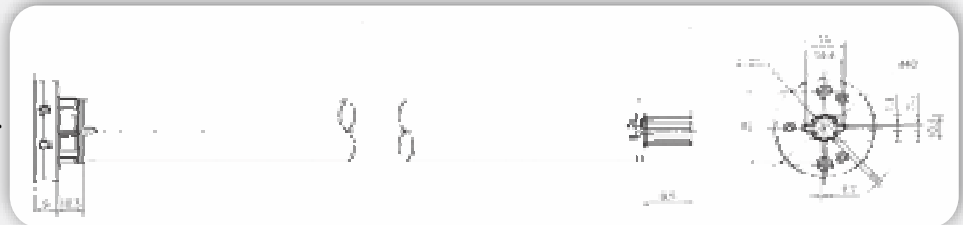
This new version of our popular battery motor has a new ground-breaking coreless DC drive inside, that is much more efficient and much quieter than other battery motors.

The fittings for this motor will allow it to be used with a range of tube sizes from 30-50mm in diameter. All of the charging intelligence is taken care of inside the motor, not by a 3rd party charger. This eliminates many of the issues experienced by other brands of DC motors. The motor will indicate both when charging is required, and completed. It cannot be overcharged and it will not start to discharge when the batteries are full as other brands may do. The charger plugs directly into the motor head so there is no need for an unsightly charging cable.



ALDC charger required

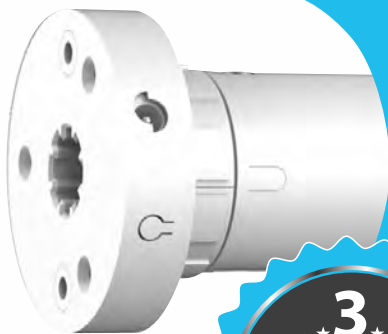
* Charger comes with 13ft cable.
10ft extension cable also available.



- New super-efficient coreless motor design
- Now, 12 months average time between charges
- Lifts up to 10ft x 10ft block out blinds
- Soft stop function - very quiet operation
- No unsightly charging cable

Specifications - 12V DC

Type	2/31
Rated Torque (Nm)	2
Output Speed (rpm)	31
Nominal Consumption (W)	15.6
Nominal Voltage (V)	12
Nominal Current (A)	1.3
Protection Index (IP)	20
Total Length (in)	21.65
Maximum Turns (Turn)	∞
Net Weight (lb)	1.13



3
★ ★ ★
YEAR
WARRANTY
3 YEARS ON
BATTERIES



Roller Blind

Product Certificates



WSER60 100/15

universal motor

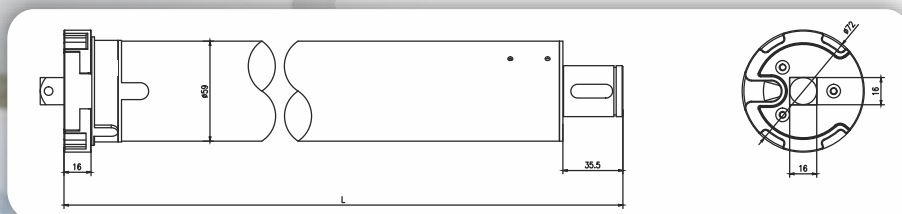
7 year replacement warranty
Electronic limit switch
Built-in receiver
Wireless limit setting
External antenna

9

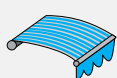
The WSER60 is the heavy duty motor within the WSER family.

Although it's a universal motor, it's compatible with extra-large retractable awnings, including the additional safety features provided by motion and wind sensors.

Due to the larger diameter of this motor, the smallest tube it can be used with is a 78mm single keyway tube, or a 70mm octagonal roller shutter tube.



Electronic Limit Switch Built-in Receiver Motor 60mm diameter



Awning



Specifications - 120V / 60Hz

Type	100/15
Rated Torque (Nm)	100
Output Speed (rpm)	15
Nominal Consumption (W)	478
Nominal Voltage (V)	120
Nominal Current (A)	4.02
Running Time (Min)	4
Protection Index (IP)	44
Total Length (in)	29.13
Maximum Turns (Turn)	∞
Net Weight (lb)	10.47

Product Certificates



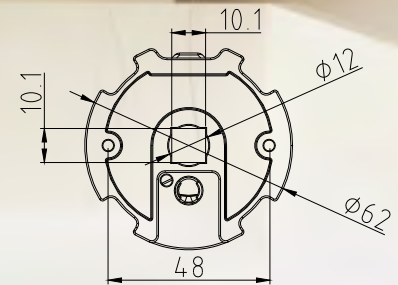
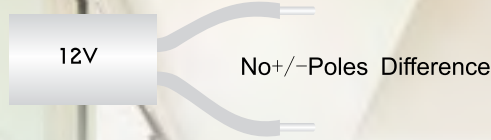
WSERD50

battery & solar motor

3rd intermediate limit position
Low power consumption
Soft start and soft stop
Electronic limit switch



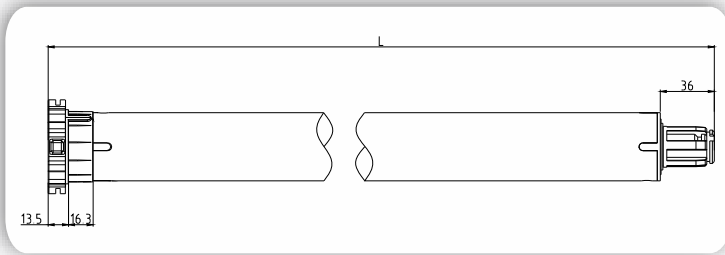
3
★ ★ ★
YEAR
WARRANTY
QUALITY
ASSURED



Use Pioneer Series Remotes for greater responsiveness

Specifications - 12V DC

Type	15/12
Rated Torque (Nm)	15
Output Speed (rpm)	12
Nominal Consumption (W)	96
Nominal Voltage (V)	12
Nominal Current (A)	8
Protection Index (IP)	44
Total Length (in)	22.24
Maximum Turns (Turn)	∞
Net Weight (lb)	4.50



TYB002 Solar panel and battery pack for WSERD50 (Optional power source)

The WSERD50 works in conjunction with our solar panel/battery pack, model number TYB002.

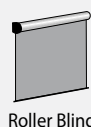
The solar panel has lithium batteries and a storage capacity of 4400mAh.

The batteries will be recharged in a few hours by connecting an external charger to the unit.

- New tear drop design
- Monocrystalline silicone material
- Nominal capacity 4400 mAh
- Charging voltage 16.8v/1A
- Charging time 8 hours
- Output voltage 11.1v/4.5A
- Working temperature 14°F to 113°F
- Protection index IP55
- Dimensions 21.5in x 3.5in x 1in

PLEASE NOTE:

**10ft extension cables
are available**



Product Certificates



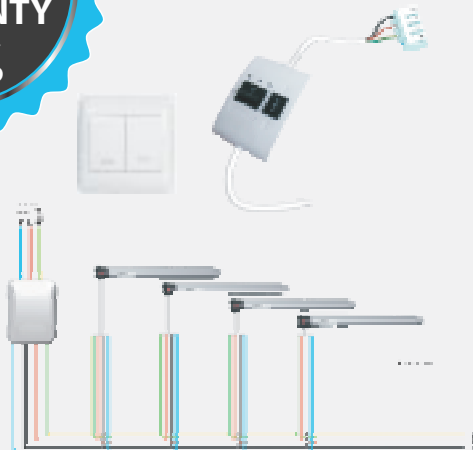
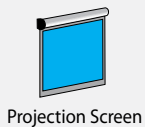
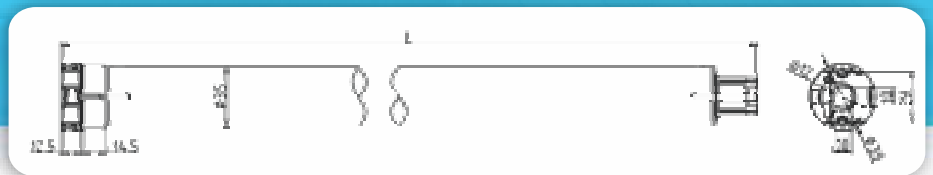
The WSEC40 is an electronic limits 4 core motor that will allow multiple motors to be parallel wired together. The number is only restricted by the power source feeding them.

Limits may be set by using either the WSB11 limit setting tool or by using the button on the motor head.



Push Button Type

Electronic Limit Switch Parallel Connector Motor
 35mm diameter



Product Certificates

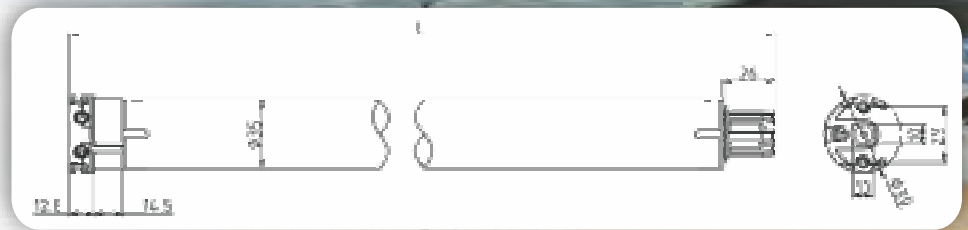


Specifications - 120V / 60Hz

Type	6/34
Rated Torque (Nm)	6
Output Speed (rpm)	34
Nominal Consumption (W)	103
Nominal Voltage (V)	120
Nominal Current (A)	0.88
Running Time (Min)	4
Protection Index (IP)	44
Total Length (in)	23.62
Maximum Turns (Turn)	∞
Net Weight (lb)	2.98

The WSS40 is a basic featureless 4 core motor for when you want a reliable workhorse without any bells and whistles and switch operation.

Unlike the WSEC Series motors, these motors cannot be parallel wired.



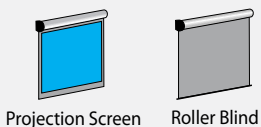
7
★ ★ ★
YEAR
WARRANTY
QUALITY
ASSURED

Standard Type Motor

35mm diameter

Specifications - 120V / 60Hz

Type	6/34
Rated Torque (Nm)	6
Output Speed (rpm)	34
Nominal Consumption (W)	103
Nominal Voltage (V)	120
Nominal Current (A)	0.88
Running Time (Min)	4
Protection Index (IP)	44
Total Length (in)	20.08
Maximum Turns (Turn)	27
Net Weight (lb)	2.86



Projection Screen

Roller Blind



WSS50

standard type motor 45mm diameter

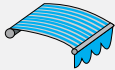
7 year replacement warranty
Standard type
Mechanical switch



The WSS50 is a basic featureless 4 core motor for when you want a reliable workhorse without any bells and whistles and switch operation.

Specifications - 120V / 60Hz

Type	30/16	50/16
Rated Torque (Nm)	30	50
Output Speed (rpm)	16	16
Nominal Consumption (W)	186	280
Nominal Voltage (V)	120	120
Nominal Current (A)	1.60	2.40
Running Time (Min)	4	4
Protection Index (IP)	44	44
Total Length (in)	22.44	22.44
Maximum Turns (Turn)	27	27
Net Weight (lb)	5.29	5.73



Awning



Roller Blind



Roller Shutter

Product Certificates



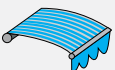
WSS60 100/15

60mm motor

7 year replacement warranty
Built in receiver
Mechanical limits

Specifications - 120V / 60Hz

Type	100/15
Rated Torque (Nm)	100
Speed (rpm)	15
Nominal Consumption (W)	478
Nominal Voltage (V) AC	120
Nominal Current (A)	4.02
Running Time (Min)	4
Protection Index (IP)	44
Total Length (in)	24.4
Maximum Turns	27
Net Weight (lb)	10.7



Awning



Roller Door

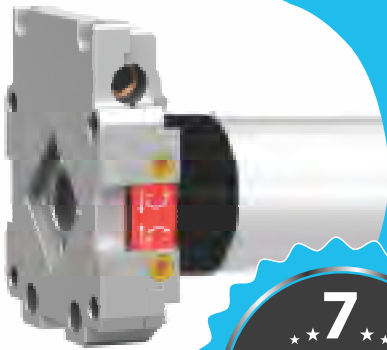
Like the WSS50 the WSS60 is a basic featureless 4 core motor for when you want a reliable workhorse without any bells and whistles and switch operation.

Product Certificates

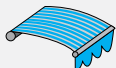


WSM50 50/16

manual override

7 year replacement warranty
Standard type
Mechanical switch

7
★ ★ ★
YEAR
WARRANTY
QUALITY
ASSURED



Awning



Roller Shutter

This is a mechanical limits motor, with the addition of manual override. This feature allows a roller shutter or awning to be operated by a crank handle in the event of a power failure. This feature is to allow for emergency operation only and is not suitable for general usage.

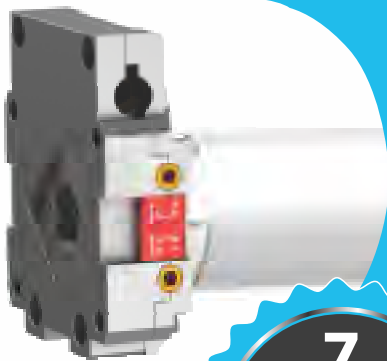
Product Certificates



PLEASE NOTE
for eyelet and crank handle
options please see page 16

Specifications - 120V / 60Hz

Type	50/16
Rated Torque (N.m)	50
Output Speed (rpm)	16
Nominal Consumption (W)	280
Nominal Voltage (V)	120
Nominal Current (A)	2.40
Running Time (Min)	4
Protection Index (IP)	44
Total Length (in)	24.8
Maximum Turns (Turn)	27
Override Turn Ratio	45:1
Net Weight (lb)	7.28



7
★ ★ ★
YEAR
WARRANTY
QUALITY
ASSURED



Awning

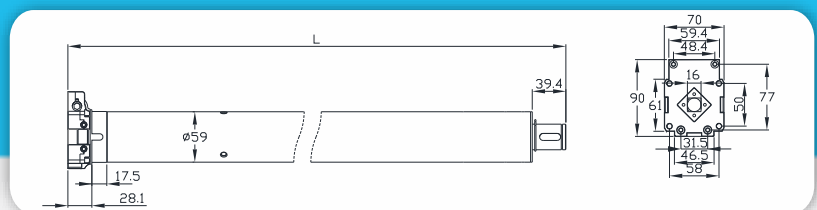


Roller Door

This is a mechanical limits motor, with the addition of manual override. This feature allows a roller shutter or awning to be operated by a crank handle in the event of a power failure. This feature is to allow for emergency operation only and is not suitable for general usage.

WSM60 100/15

manual override

7 year replacement warranty
Standard type
Mechanical switch

Specifications - 120V / 60Hz

Type	100/15
Rated Torque (N.m)	100
Output Speed (rpm)	15
Nominal Consumption (W)	478
Nominal Voltage (V)	120
Nominal Current (A)	4.02
Running Time (Min)	4
Protection Index (IP)	44
Total Length (in)	33.9
Maximum Turns (Turn)	27
Net Weight (lb)	13.6

Product Certificates

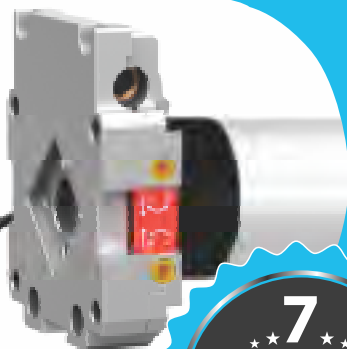


WSME50

manual override

7 year replacement warranty
Standard type
Mechanical switch
Built-in receiver

15



Awning



Roller Shutter

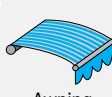
PLEASE NOTE
for eyelet and crank handle
options please see page 16

The WSME50 is a remote control version of a mechanical limits motor, with the addition of manual override. This feature allows a roller shutter or awning to be operated by a crank handle in the event of a power failure. The manual override feature is to allow for emergency operation only and is not suitable for general usage.

Specifications - 120V / 60Hz

Type	50/16
Rated Torque (Nm)	50
Output Speed (rpm)	16
Nominal Consumption (W)	280
Nominal Voltage (V)	120
Nominal Current (A)	2.40
Running Time (Min)	4
Protection Index (IP)	44
Total Length (in)	28.74
Maximum Turns (Turn)	27
Net Weight (lb)	9.48

Product Certificates



Awning

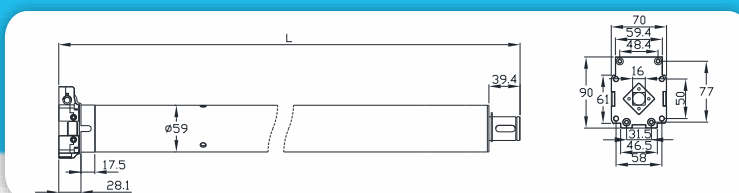


Roller Door

WSME60

manual override

7 year replacement warranty
Standard type
Mechanical switch



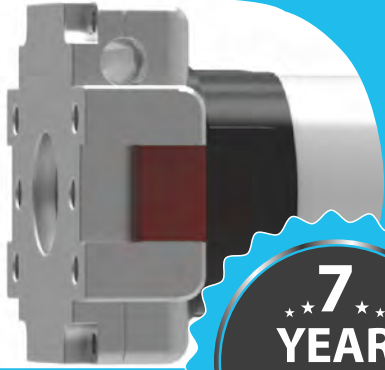
Specifications - 120V / 60Hz

Type	100/15	140/11
Rated Torque (Nm)	100	140
Output Speed (rpm)	15	11
Nominal Consumption (W)	478	478
Nominal Voltage (V)	120	120
Nominal Current (A)	4.02	4.02
Running Time (Min)	4	4
Protection Index (IP)	44	44
Total Length (in)	33.9	33.9
Maximum Turns (Turn)	27	27
Net Weight (lb)	13.6	13.6

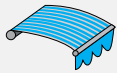
The WSME60 is a remote control version of a mechanical limits motor, with the addition of manual override. This feature allows a roller shutter or awning to be operated by a crank handle in the event of a power failure. The manual override feature is to allow for emergency operation only and is not suitable for general usage.

Product Certificates





7
 YEAR
 WARRANTY
 QUALITY
 ASSURED



Awning

Product Certificates



This motor has manual override and electronic limits. Unlike most override motors, the electronic limits allow easy installation and programming, as well as the flexibility to be used in cassette systems that block access to typical mechanical limit mechanisms on conventional manual override motors.

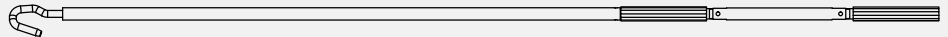
Specifications - 120V / 60Hz

Type	50/16
Rated Torque (Nm)	50
Output Speed (rpm)	16
Nominal Consumption (W)	280
Nominal Voltage (V)	120
Nominal Current (A)	2.40
Running Time (Min)	4
Protection Index (IP)	44
Total Length (in)	25.80
Maximum Turns (Turn)	∞
Net Weight (lb)	5.84

Manual Override Motor Accessories

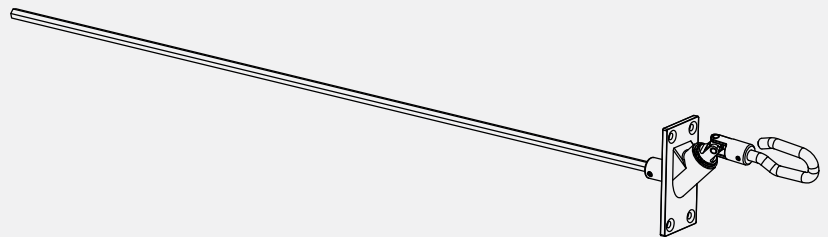
A3018 Hook Hand Crank

1.5m length



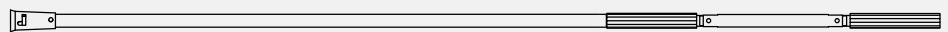
A3025-02 Hook Eyelet

for A3018



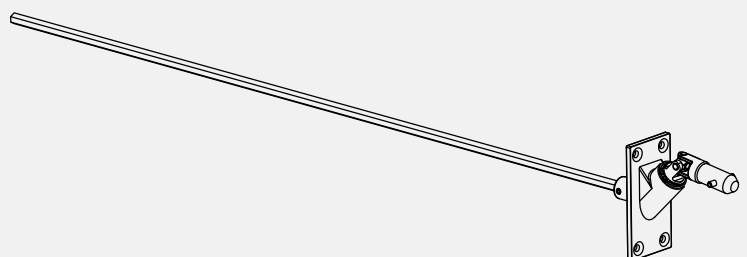
A3018K Bullet Hand Crank

1.5m length



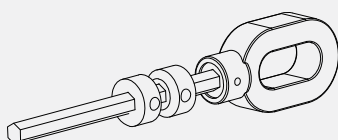
A3025-03 Bullet Eyelet

for A3018K



A3047 Eyelet

10cm



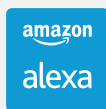


This app is extremely versatile and easy to set up. It controls motorized products individually, or by area, or the whole house at once from anywhere in the world with an internet connection. All functionality can be scheduled to operate automatically.

Simply purchase the link box and download the free Alpha-Neo app for either Android or Apple. This app is compatible with all Alpha remote control motors. There is no limit to the number of control devices you can connect. There are 30 control groups (rooms) available and you can add up to 8 blinds per group. Additionally, you can setup up to 25 schedules to automate functionality.

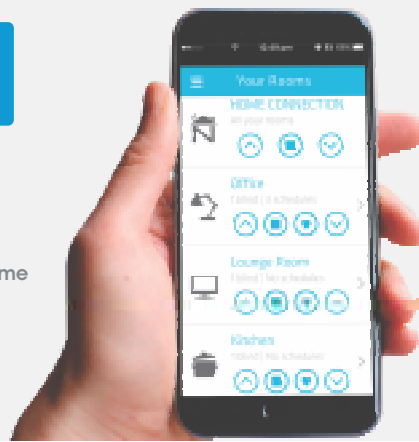
ALPHA^{NEO}

App integration made easy



Google Home

SAVANT



Specifications

Type	
Nominal Voltage (V)	5
Nominal Current (A)	1
Frequency MHz	433.92
Code Type	Rolling
Power Requirements	5V DC
Number of Channels	Max 240
Total Length (in)	2.95
Total Width (in)	2.36
Total Height (in)	0.98



The Pioneer Series

The Pioneer series remotes are a sleek, yet practical design featuring silicone edges for drop protection. Options of 1, 4, 8 & 16 channel transmitters give you enormous flexibility without being overly complicated. The WSRE103 models also feature an easy to read LCD display and a multi-channel function to further simplify the end-user experience. The Alpha remote control system applies a 66 rolling code program with 268 million possible combinations which virtually eliminates any chance of programming duplication. All Alpha remotes and receivers are inter-compatible.



RE101

Specifications

Channels	1
Frequency (MHz)	433.92
Codes	Rolling
Wall Mount	Yes



RE102

Specifications

Channels	4
Frequency (MHz)	433.92
Codes	Rolling
Wall Mount	Yes



With the 4, 8 & 16 channel remotes you can control 4, 8 or 16 different receivers separately or any group among the 4, 8 or 16 receivers.

With the 1T & 4T channel remotes you can control 1 or 4 receivers with timer function, which can set up 8 different open/close times and also Mon-Fri, or Mon-Sat, or Mon-sun open/close times.

RE103

Specifications

Channels	4, 8, 16
Frequency (MHz)	433.92
Codes	Rolling
Wall Mount	Yes

Keyring Remote



RE110

Specifications

Channels	1
Frequency (MHz)	433.92
Codes	Rolling

The Navigator Series

The Navigator series remotes are the latest offering from the R&D team. They have delivered an elegant and simple design featuring stainless steel edge trim and a near-invisible magnetic wall mount. With all the options of the Pioneer series and almost identical operation, the Navigator series remotes are an excellent addition to our range.



RE301

Specifications

Channels	1
Frequency (MHz)	433.92
Codes	Rolling
Magnetic Wall Mount	Yes



RE302

Specifications

Channels	5
Frequency (MHz)	433.92
Codes	Rolling
Magnetic Wall Mount	Yes



RE303

Specifications

Channels	4, 8, 16 1T, 4T
Frequency (MHz)	433.92
Codes	Rolling
Magnetic Wall Mount	Yes

With the 4, 8 & 16 channel remotes you can control 4, 8 or 16 different receivers separately or any group among the 4, 8 or 16 receivers.

With the 1T & 4T channel remotes you can control 1 or 4 receivers with timer function which can set up 8 different open/close times and also Mon-Fri, or Mon-Sat, or Mon-Sun open/close times.

The Decora Series

This series of controllers are surface mounted and designed to suit Decora wall plates.
(Decora wall plate not included)



Single channel

(Decora wall plate
not included)

RE601-PLUS**Specifications**

Channels	1
Frequency (MHz)	433.92
Codes	Rolling
Wall Mount	Decora



4 channel

(Decora wall plate
not included)

RE602-PLUS**Specifications**

Channels	4
Frequency (MHz)	433.92
Codes	Rolling
Wall Mount	Decora



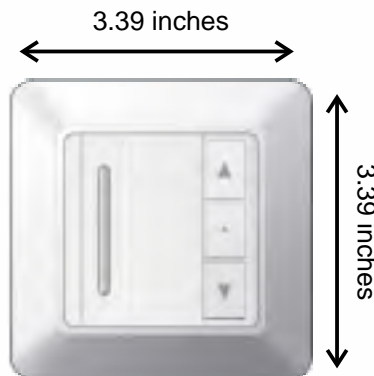
4 channel
Decora wall mount
remote with 25%,
50% and 75%
between limit selection

(Decora wall plate
not included)

RE602-I-PLUS**Specifications**

Channels	4
Frequency (MHz)	433.92
Codes	Rolling
Wall Mount	Decora

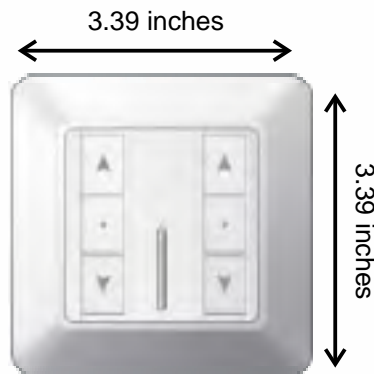
RE201



Specifications

Channels	1
Frequency (MHz)	433.92
Codes	Rolling
Wall Mount	Yes

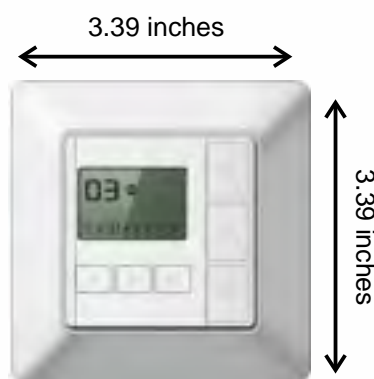
RE202



Specifications

Channels	2
Frequency (MHz)	433.92
Codes	Rolling
Wall Mount	Yes

RE203-8C

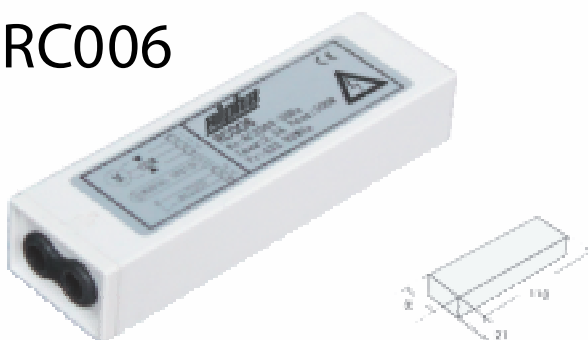


Specifications

Channels	8
Frequency (MHz)	433.92
Codes	Rolling
Wall Mount	Yes

External Remote Control Receiver

RC006



Specifications

Connections for motors	1
Frequency (MHz)	433.92
Codes	Rolling
Voltage	120V 60Hz

Able to operate with a maximum of 15 remotes

**AUTOMATION
SYSTEM CONTROL
OF REMOTE
CONTROL
MOTORS**



This device is a single channel remote control that plugs into a power point for permanent power and is controlled by connecting the device to relays in a control system or other switches. There are 4 wires connected this item: common, up, stop, and down. When the common wire comes into contact with any of the control wires, the function for that wire will be sent out to any WSER series motors or remote receivers this device is assigned to.

This device allows remote control Alpha motors to be operated by a huge variety of building management systems, automation equipment, press buttons or key turn switches as well as a remote control. This device is not practical for use in setting up the motors it will control. This must be done with a standard remote and the RE-DCE can be assigned to the motor separately for additional control options.

When planning your job with this item, only allow for connection to relays or switches that make contact as long as a button or switch is pressed and release automatically afterwards. Do not use rotary switches or switches that lock into position as the item will continue to send out the signal for as long as contact is made. This could produce unwanted results.



Product Certificates



RE-DCE

Specifications

Channels	1
Frequency (MHz)	433.92
Codes	Rolling
Wall Mount	Yes
Voltage	120V 60Hz

Available in black or white



This item attaches to the front channel of a retractable awning at either end. It measures the angle of the front bar and the amount of movement created by wind. When the sensitivity setting is reached, it sends a signal to the awning to close.

When used with a retractable awning motor, it will send a pulse to the motor a few times an hour telling the motor it's there and working. If the motor stops detecting this pulse due to drained batteries or failure, it will automatically retract the awning after about half an hour to both protect the awning and to alert the owner that the motion sensor is not working. Once the pulse is restored (usually by installing new batteries) normal operation will resume.



Although this item will control a Universal motor, the Universal motor does not have the extra protective functions mentioned above if the item stops sending the pulse. The motion sensor is a more reliable method of protection than the Sun/Wind sensors as it responds to actual physical movement of the front bar and not the wind speed detected by a device mounted nearby.

This unit has 9 pre-determined sensitivity settings, but in a feature unique to Alpha, also has the capability of detecting movement created by the installer and setting the sensitivity to that level.

Cannot be used in conjunction with Sun/Wind Sensors.



Product Certificates



RS005

Specifications

Frequency (MHz)	433.92
Codes	Rolling
Protection Index	IP44
Power	2x AAA Batteries

RS001

Solar wind & sun sensor

The RS001 cannot be used in conjunction with Motion Sensors

Specifications

Frequency (MHz)	433.92
Codes	Rolling
Protection Index	IP44
Display	LED
Power	Solar Panel & Rechargeable Battery

- Programmable with 5 wind speed and 9 light intensity settings
- Usable as sun and wind sensor where wind overrides sun
- Sun sensor can be disabled if required
- For use with WSER Series motors



RS102

Internal sun sensor

Specifications

Frequency (MHz)	433.92
Codes	Rolling
Protection Index	IP44
Display	LED
Power	3V Lithium Battery (CR2032)

- 3 fixed and 1 user setting.
- Includes timer functions that allow 8 up and down timed operations.

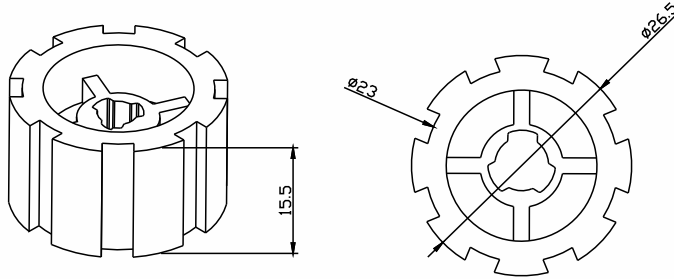




Accessories

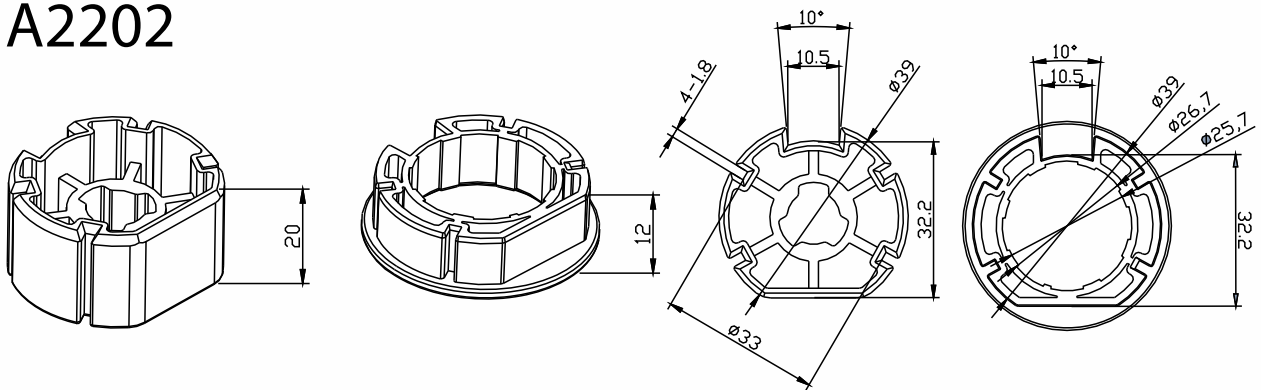
*Measurements listed are in millimeters

A2201

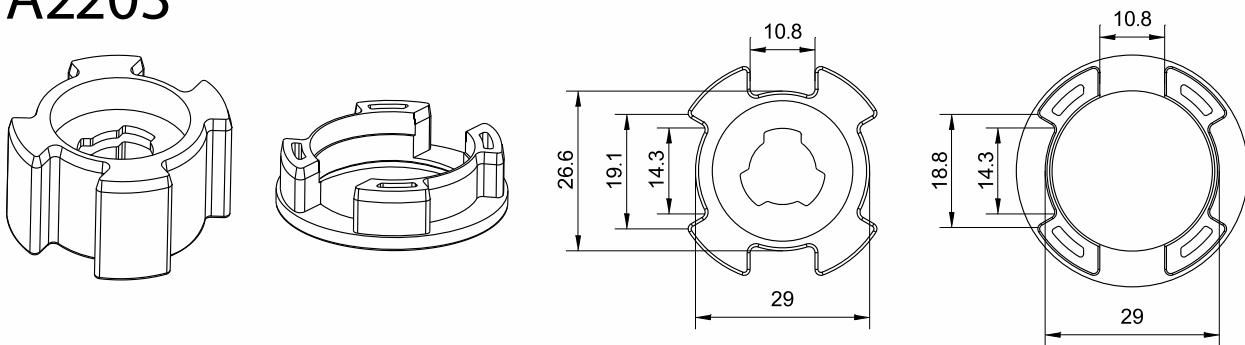


No crown required

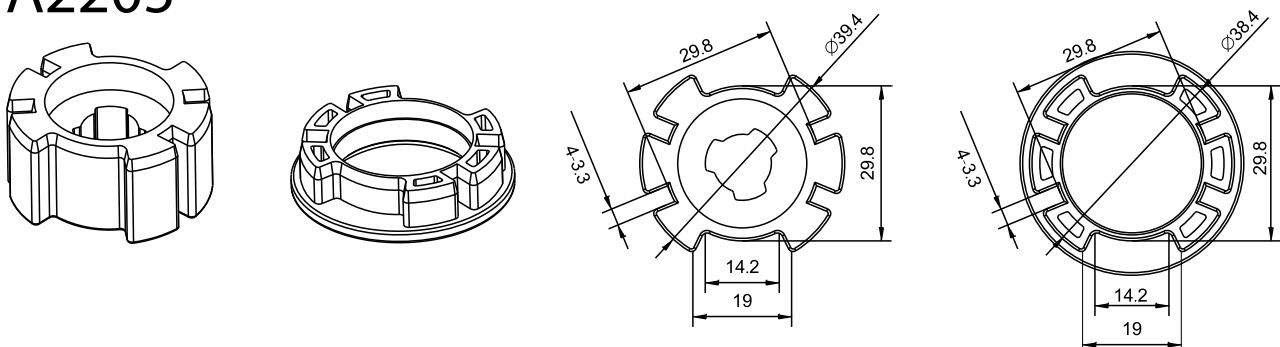
A2202



A2203

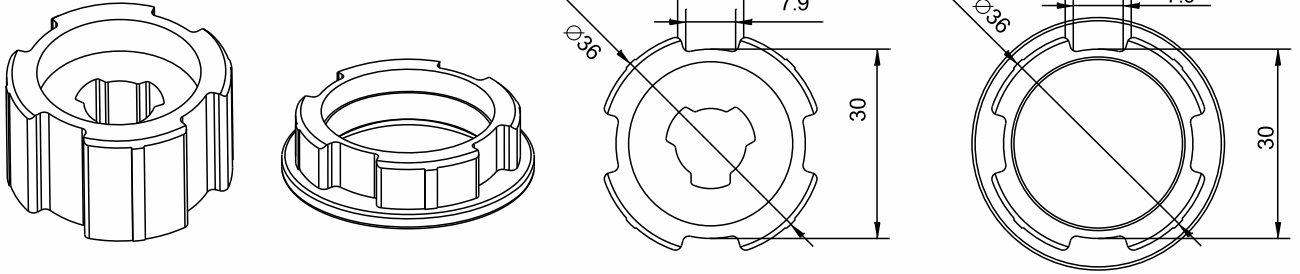


A2205

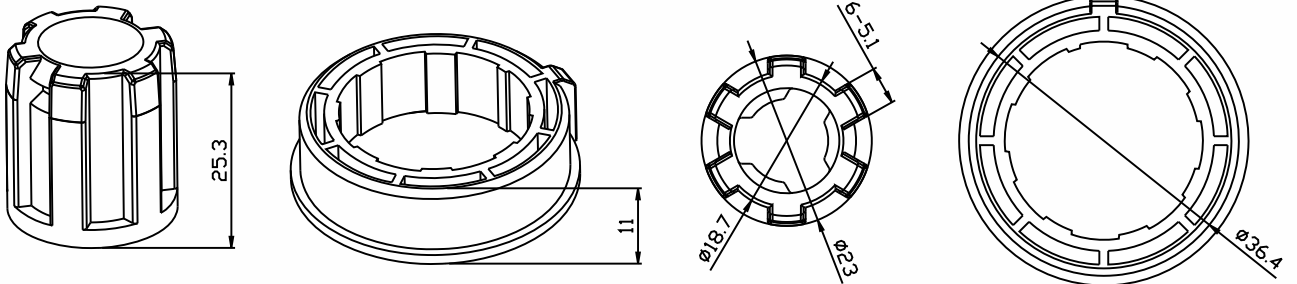


*Measurements listed are in millimeters

A2206

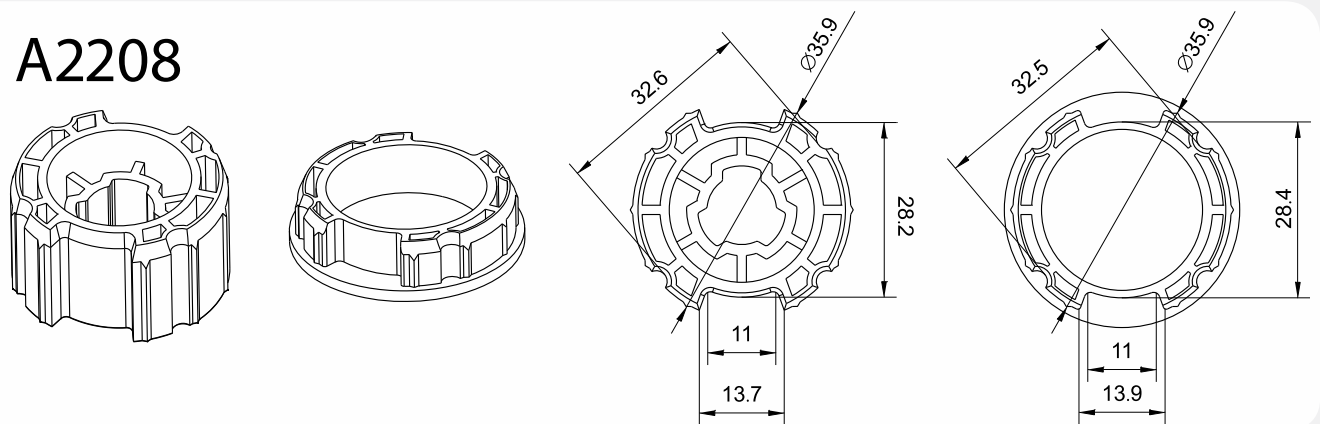


A2207 Transit Drive

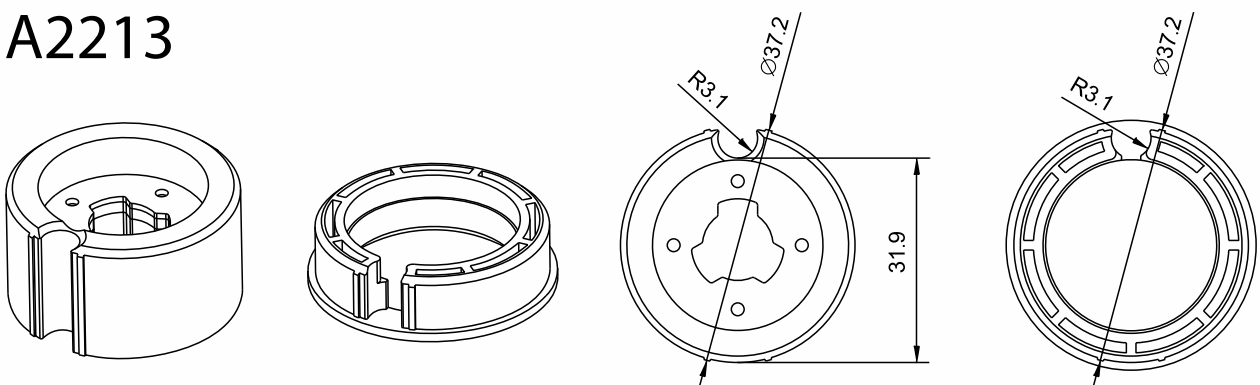


These are adapters to allow connection of our 35mm motor fittings onto a 25mm motor.

A2208

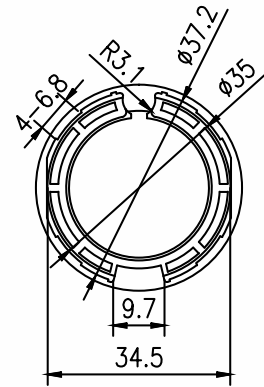
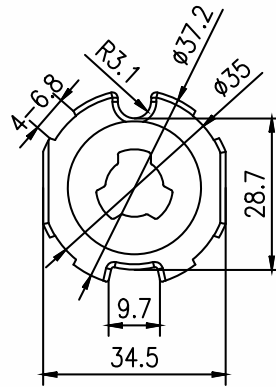
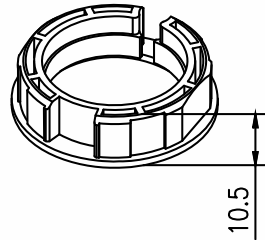
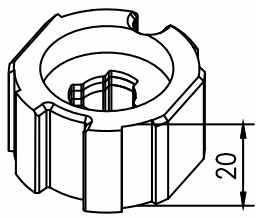


A2213

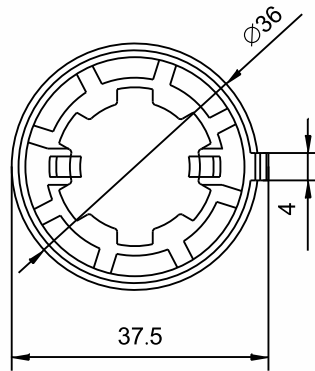
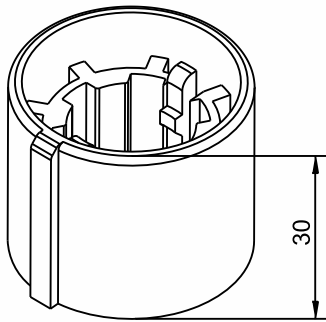


*Measurements listed are in millimeters

A2214

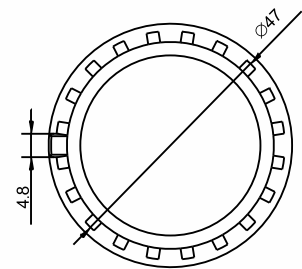
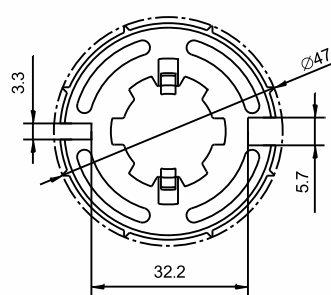
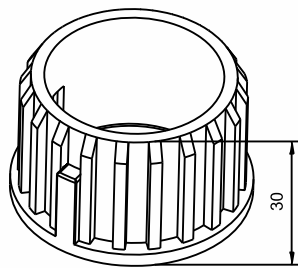
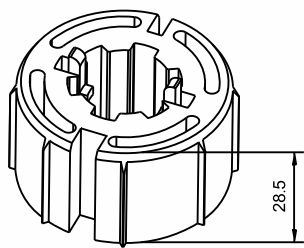


A2305

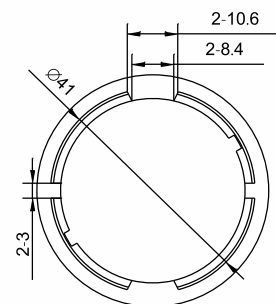
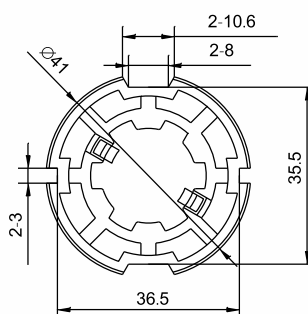
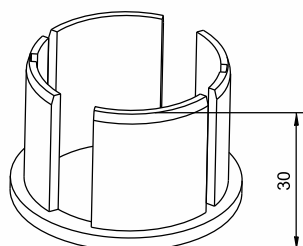
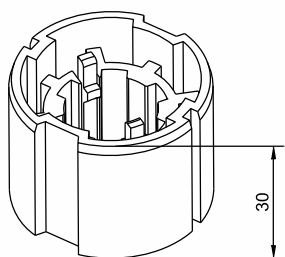


No crown required

A2307

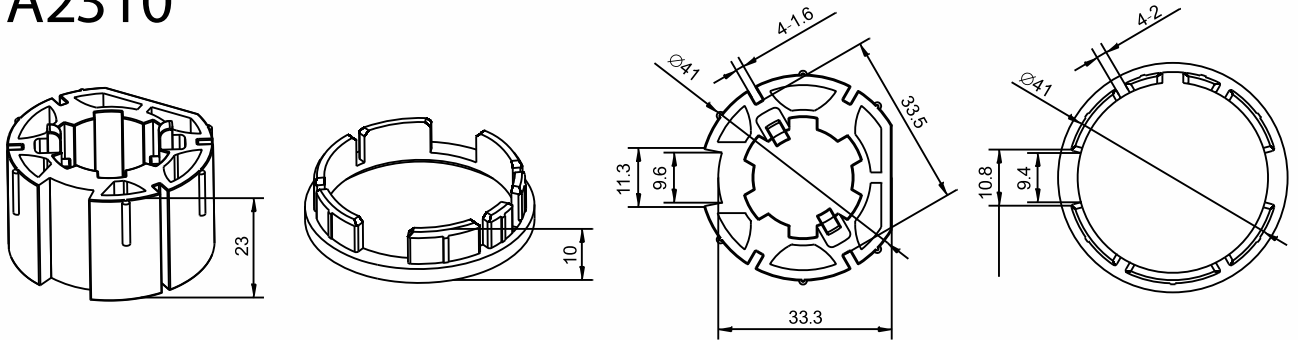


A2308

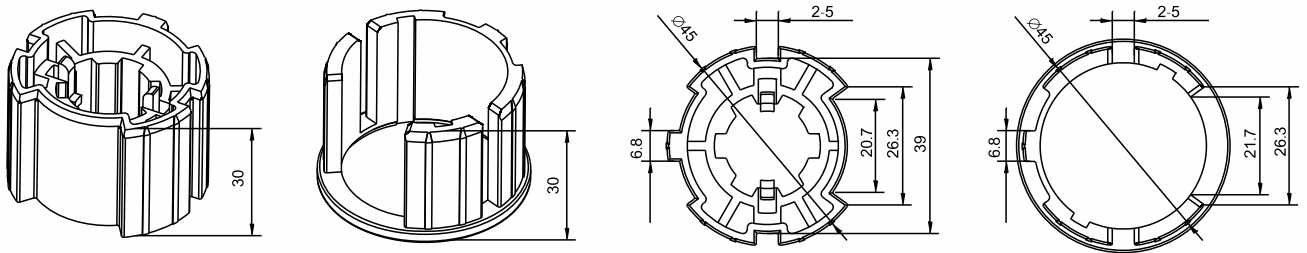


*Measurements listed are in millimeters

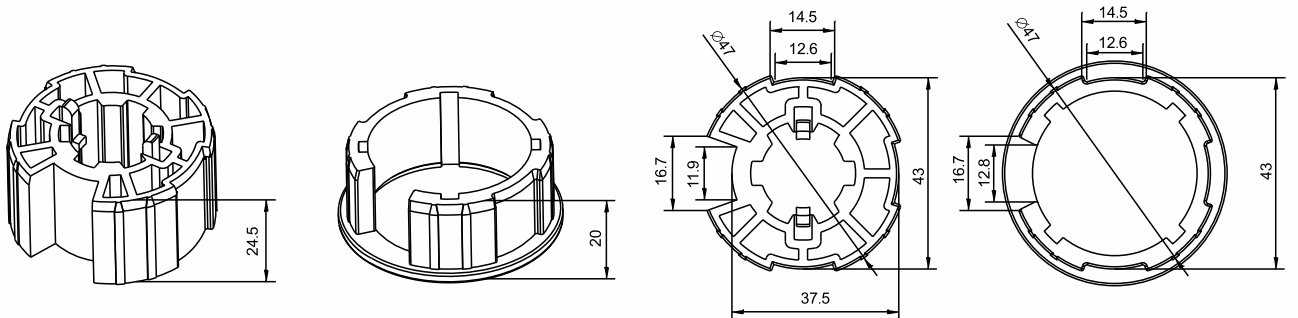
A2310



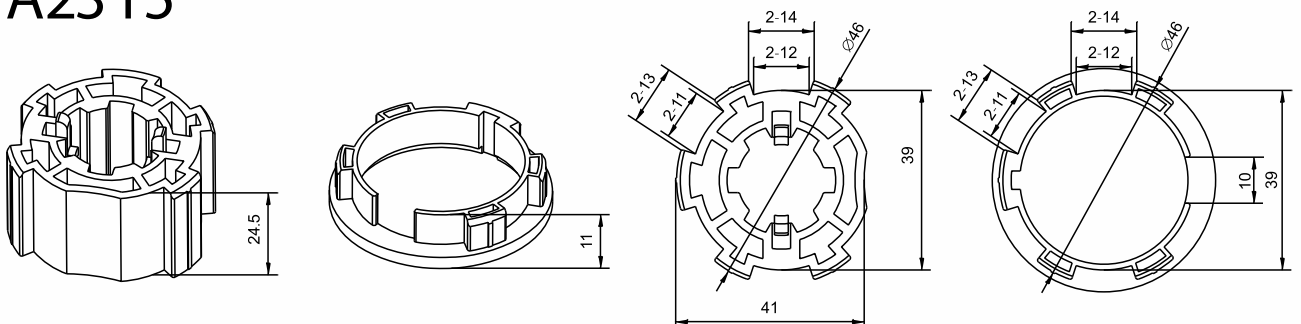
A2313



A2314

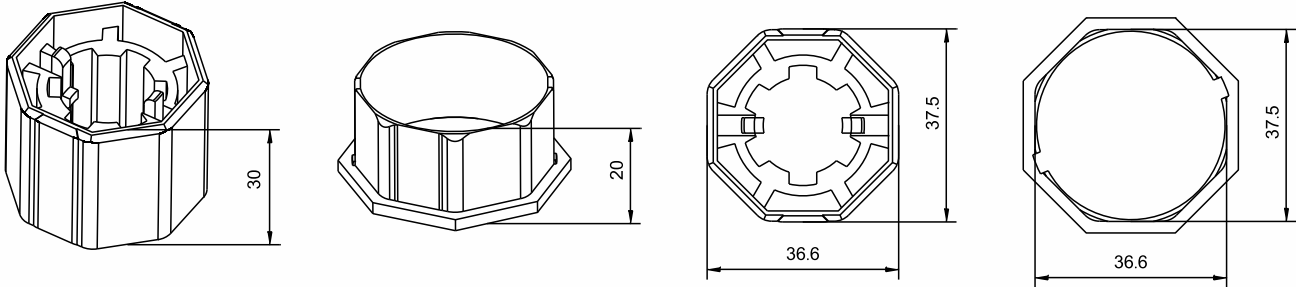


A2315

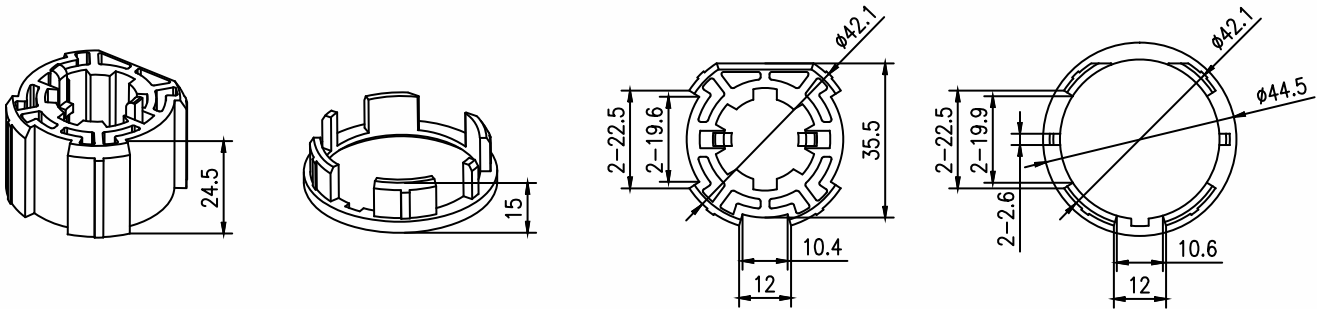


*Measurements listed are in millimeters

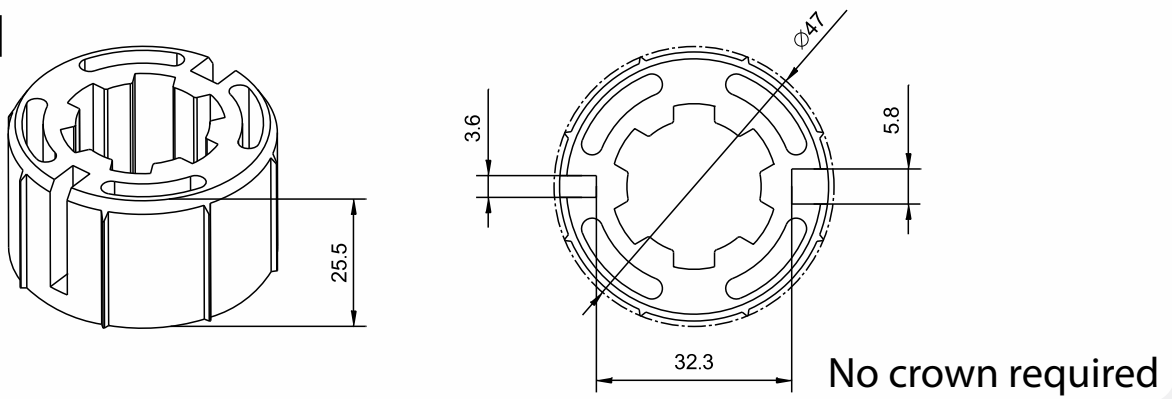
A2320



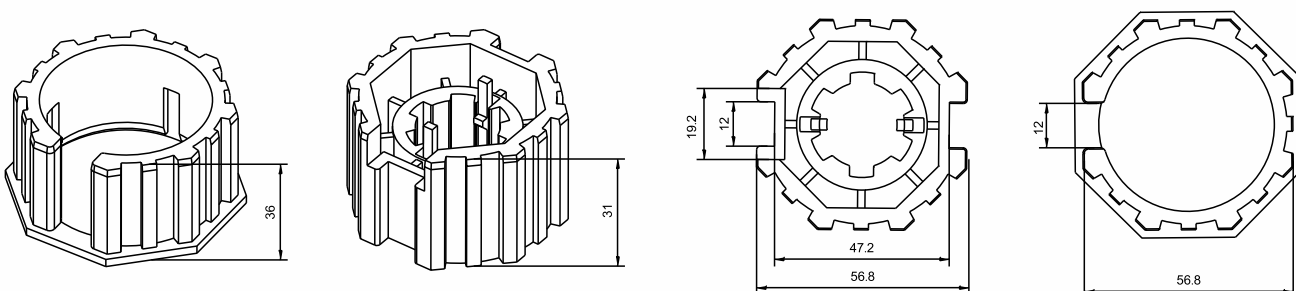
A2334



A2401

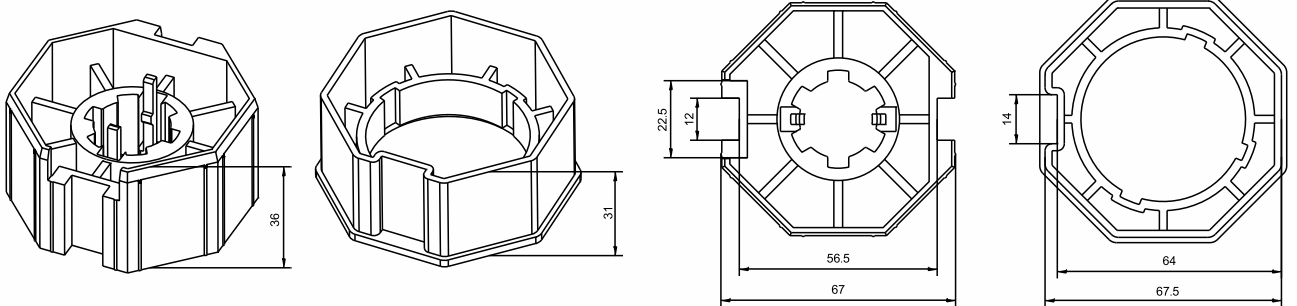


A2404

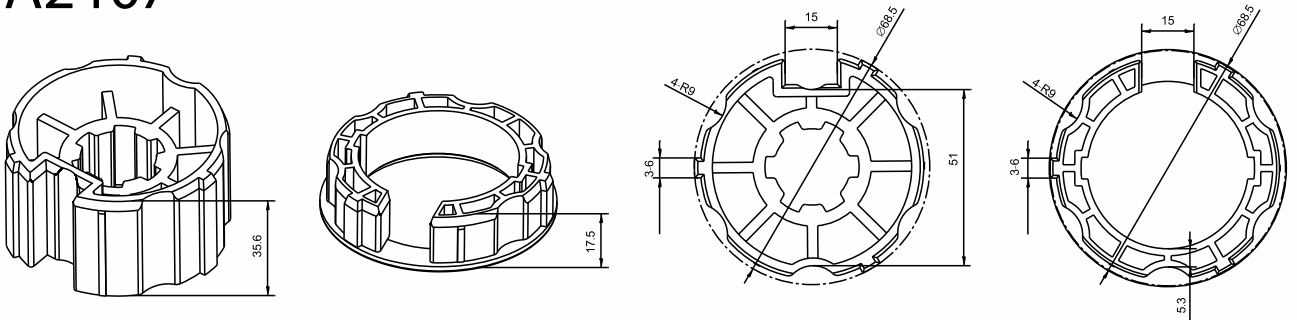


*Measurements listed are in millimeters

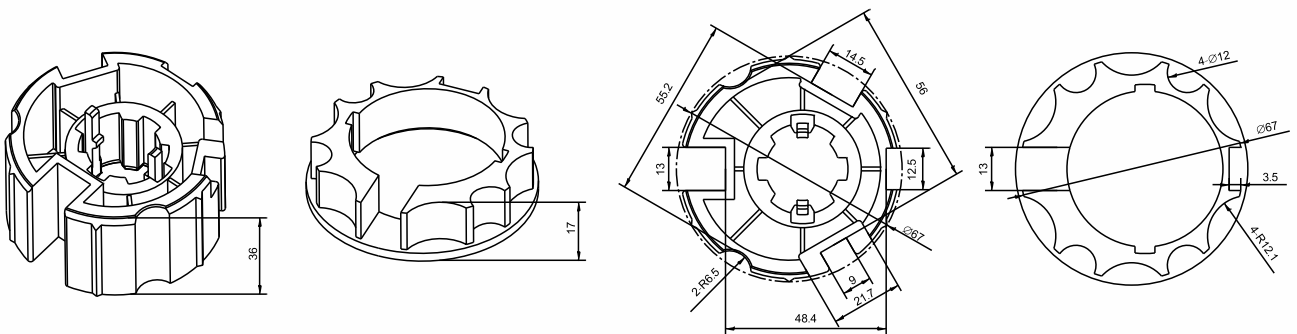
A2406



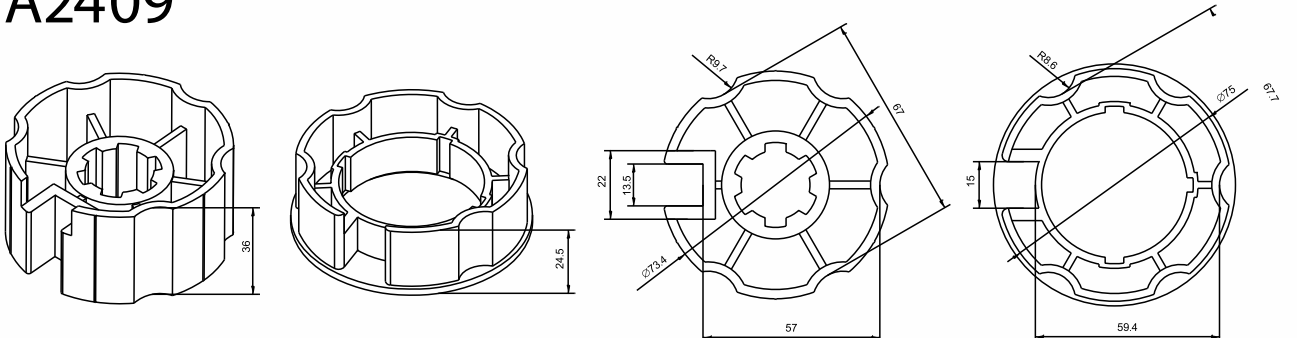
A2407



A2408

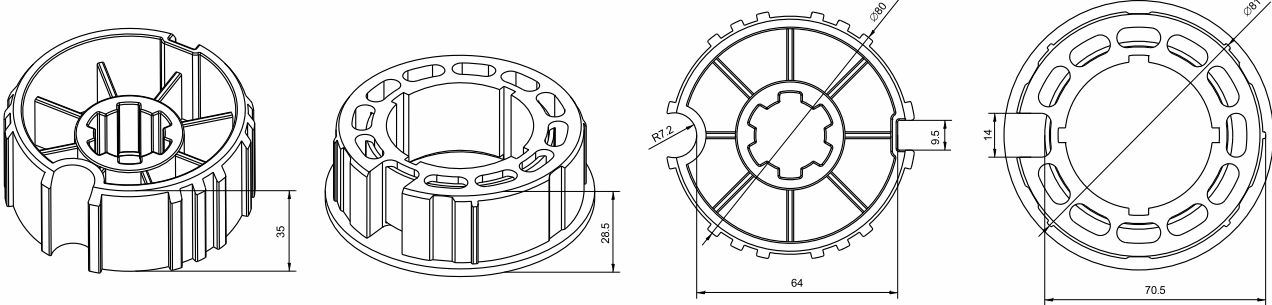


A2409

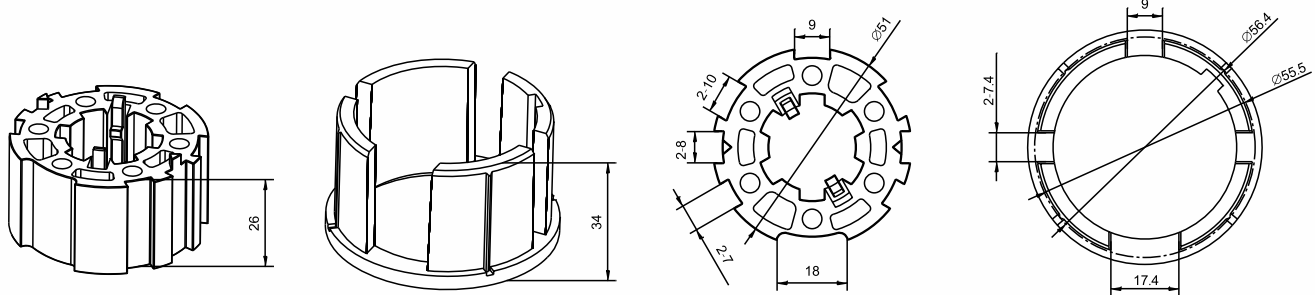


*Measurements listed are in millimeters

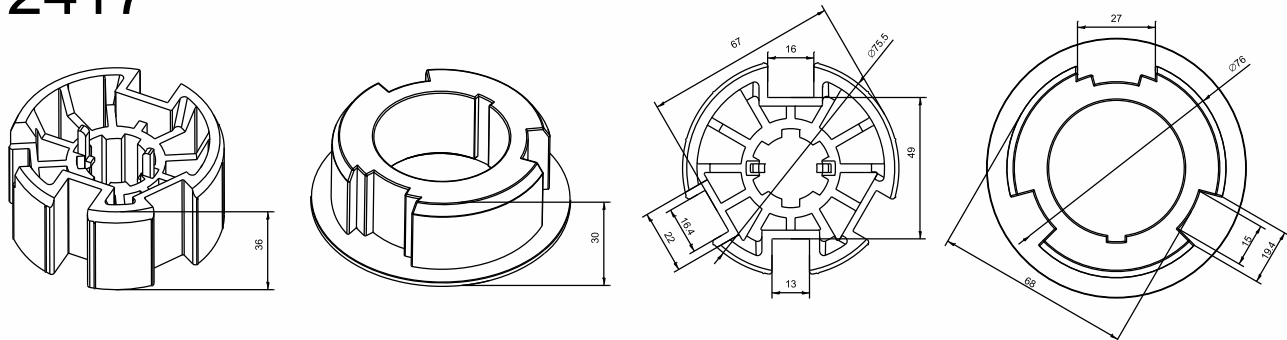
A2410



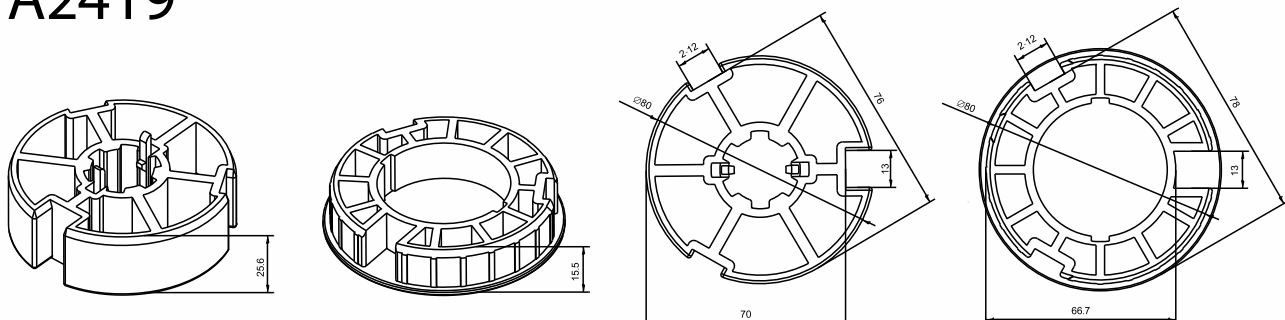
A2415



2417

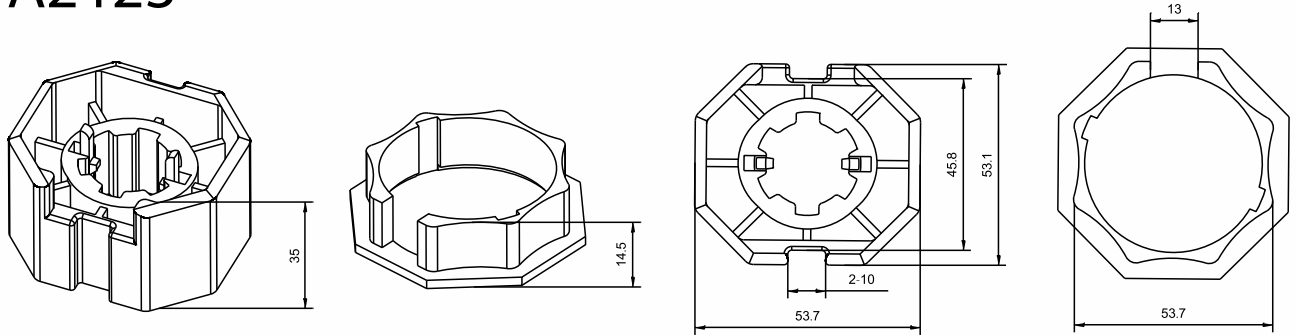


A2419

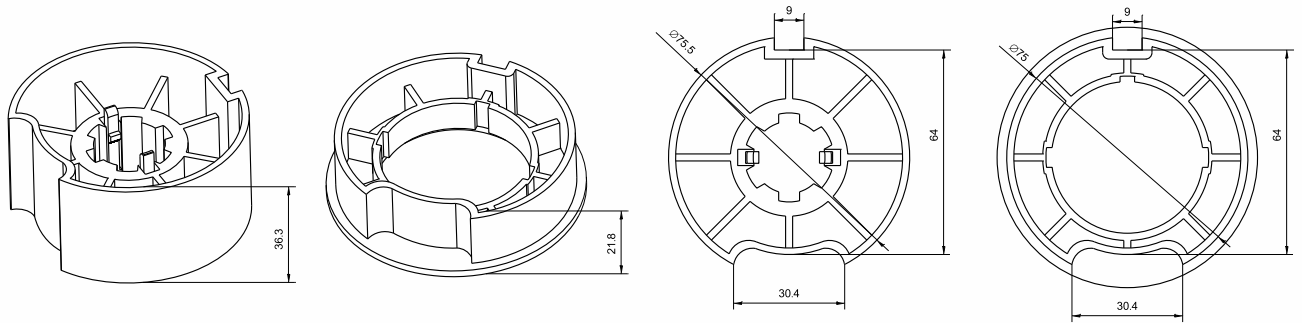


*Measurements listed are in millimeters

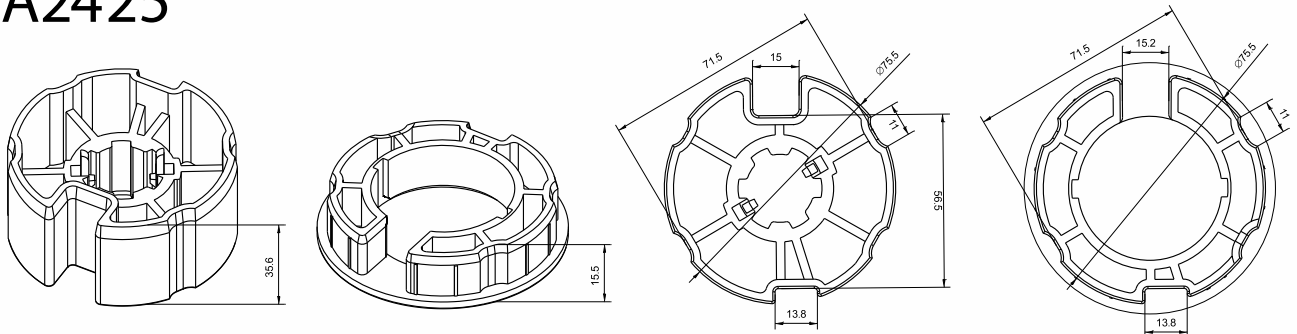
A2423



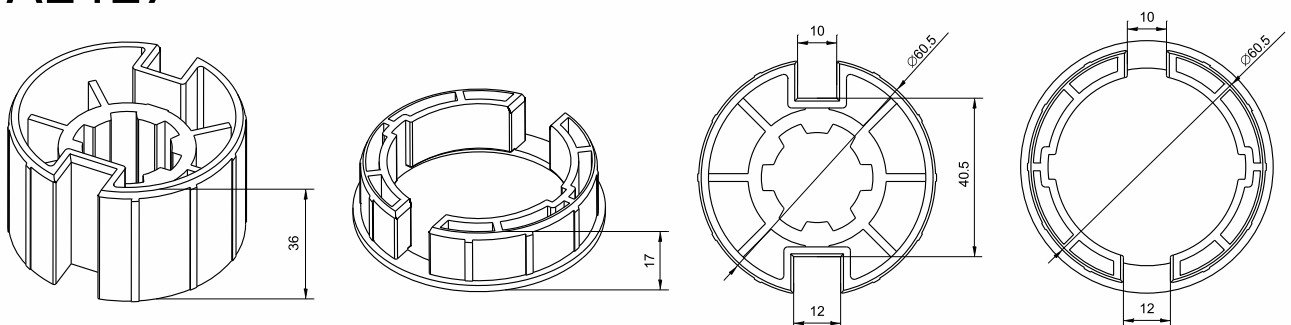
A2424



A2425

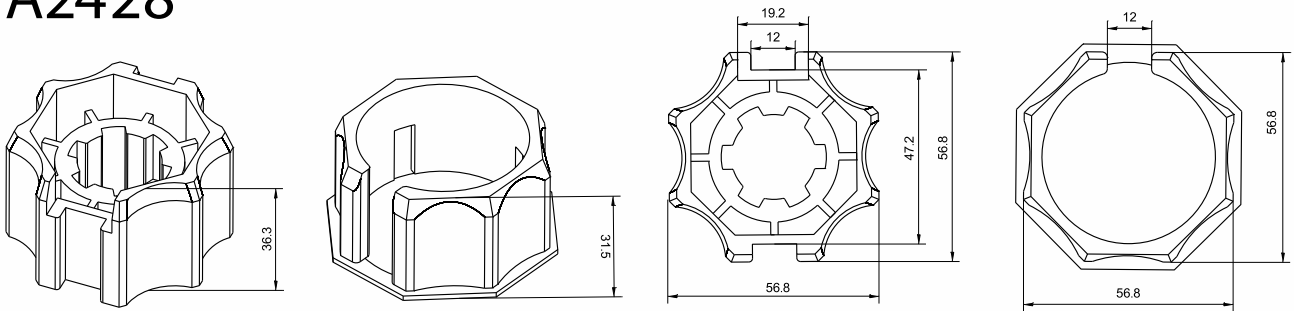


A2427

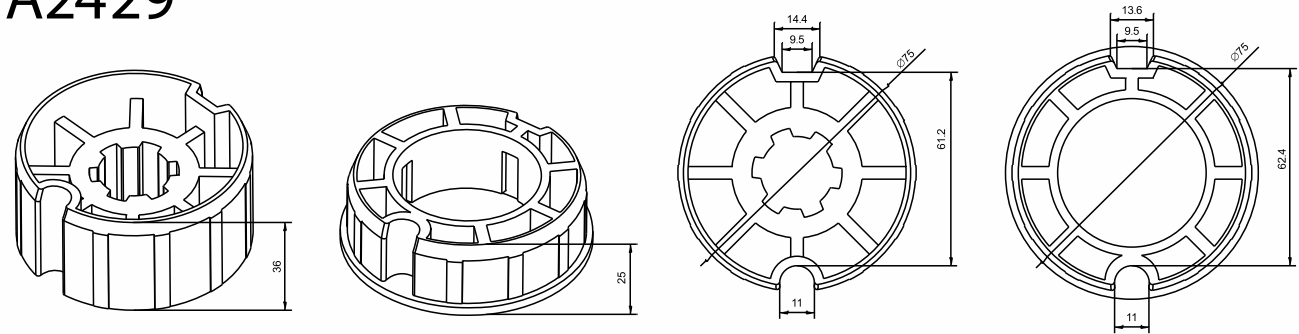


*Measurements listed are in millimeters

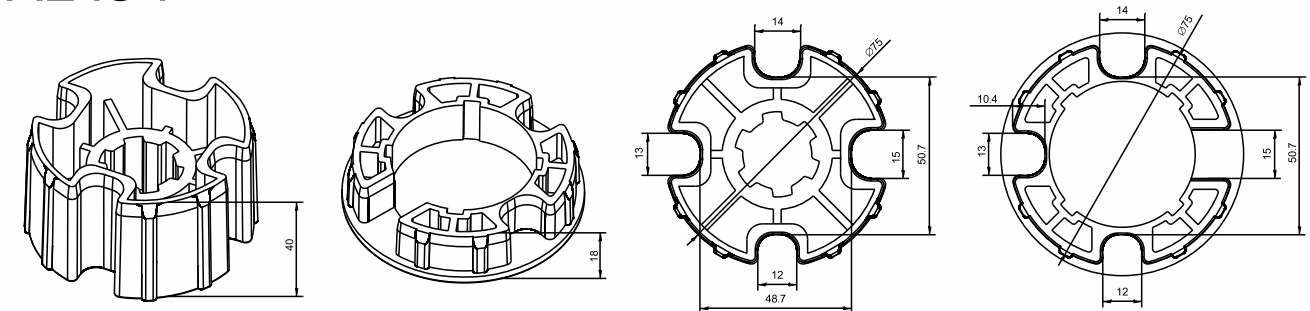
A2428



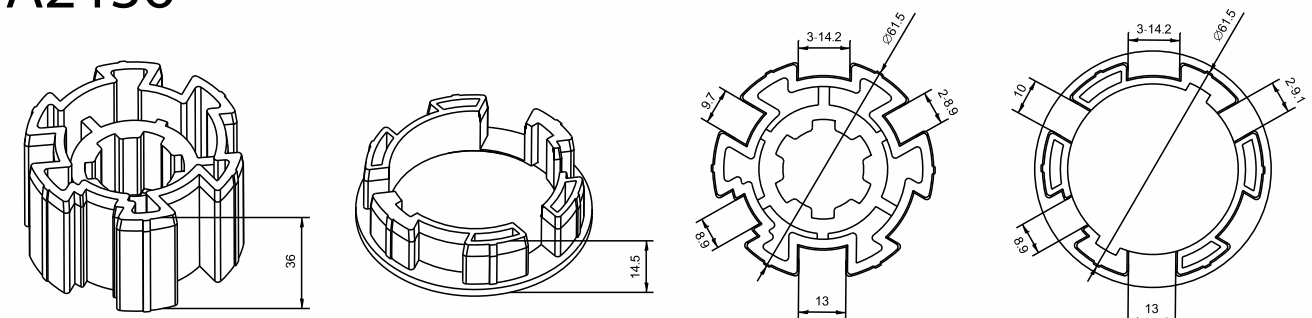
A2429



A2434

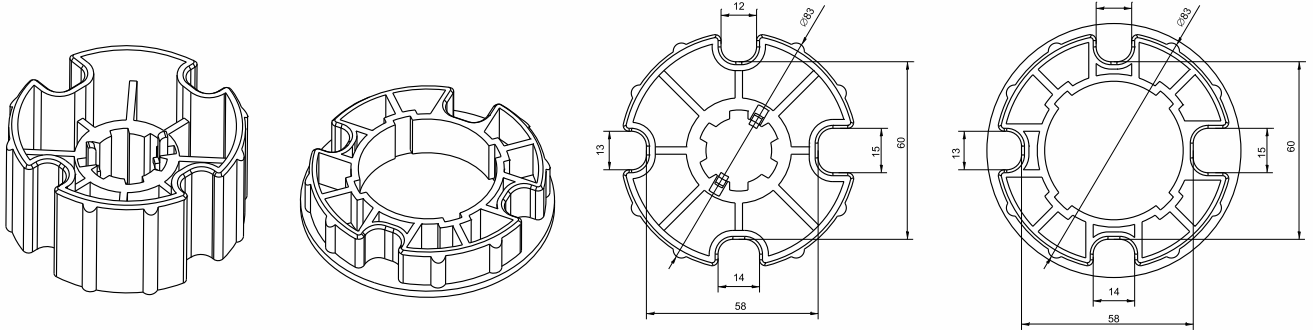


A2436

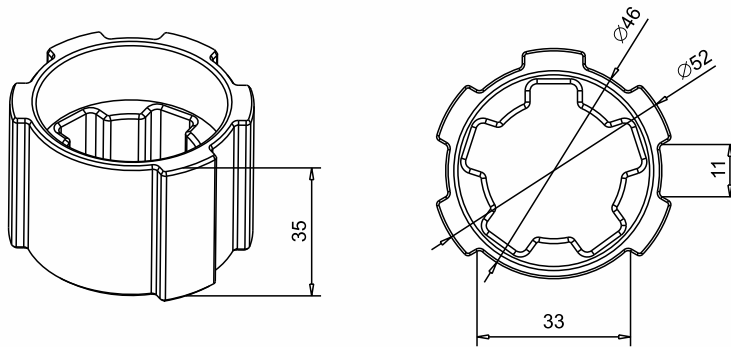


*Measurements listed are in millimeters

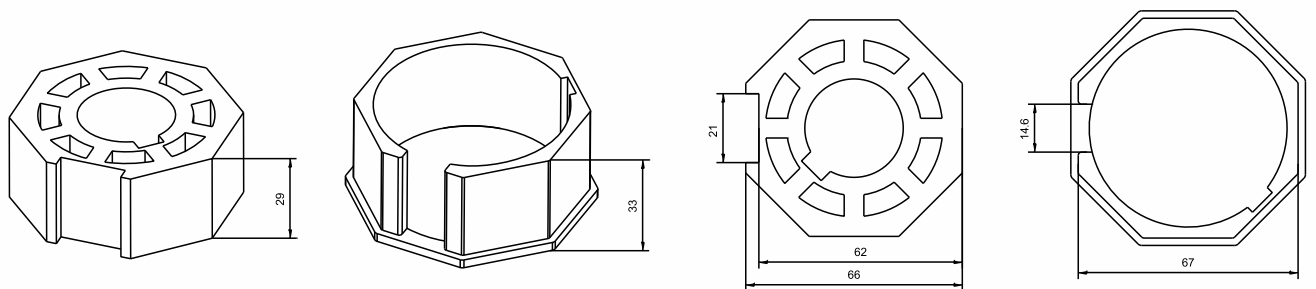
A2437



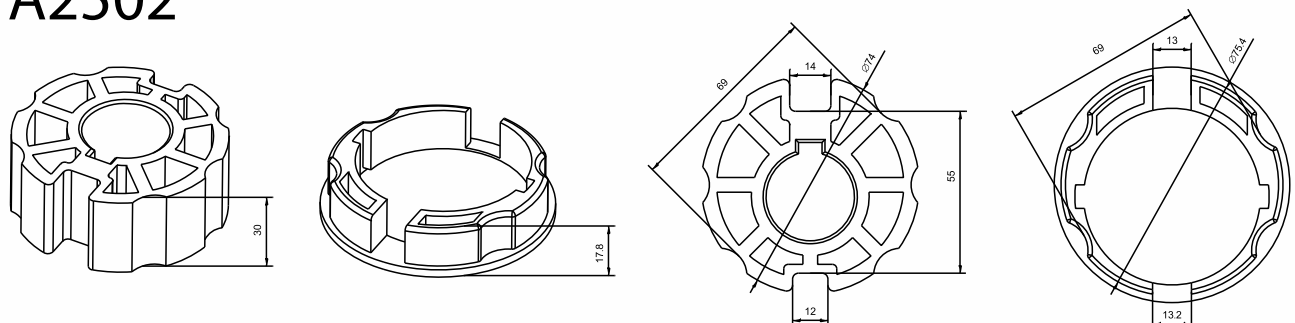
A2453



A2501

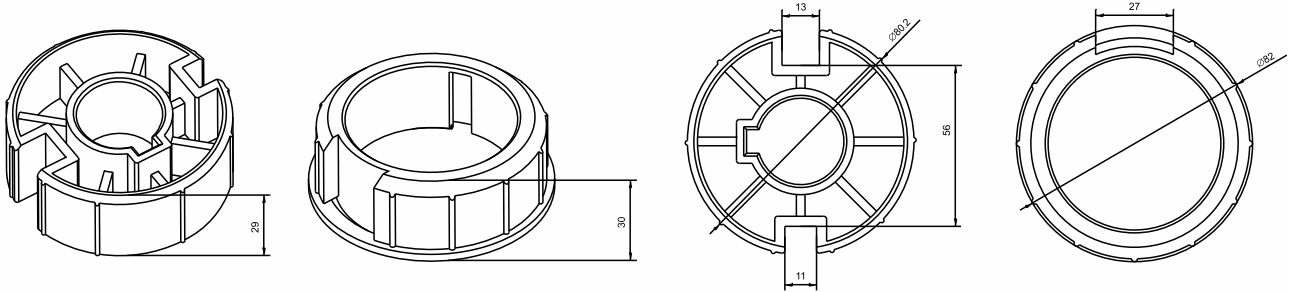


A2502

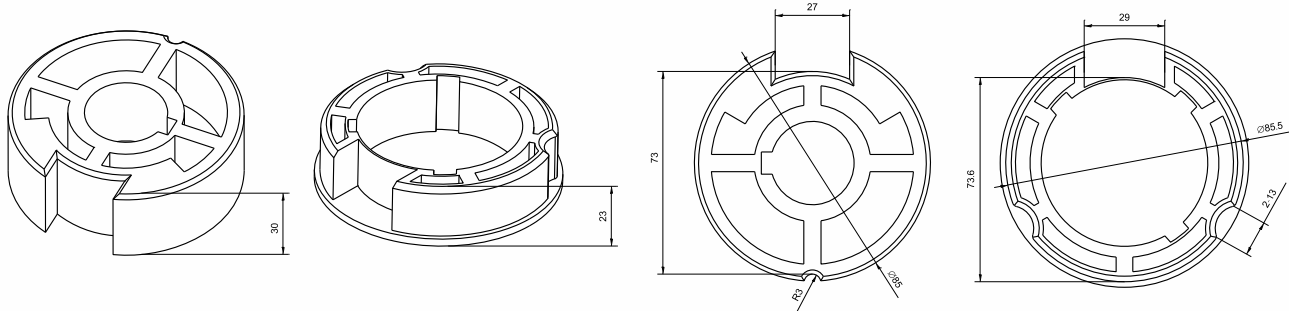


*Measurements listed are in millimeters

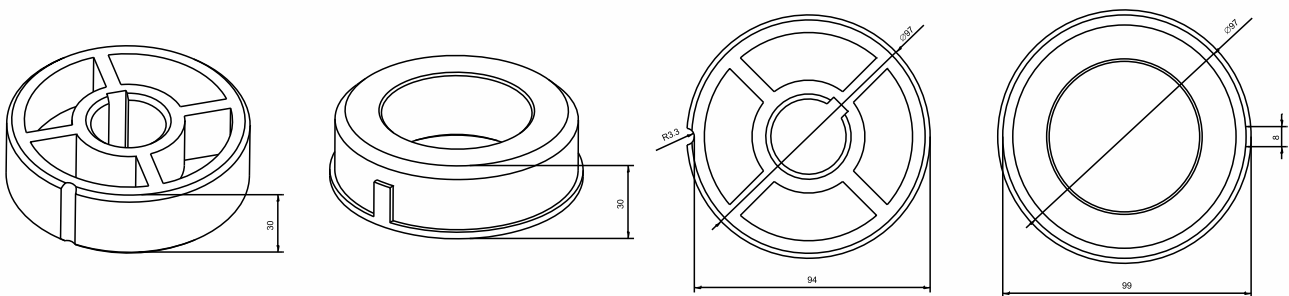
A2503



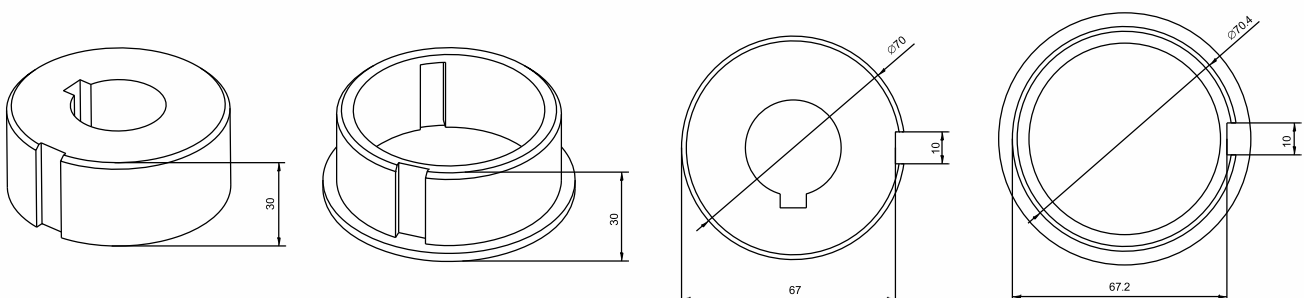
A2504



A2505

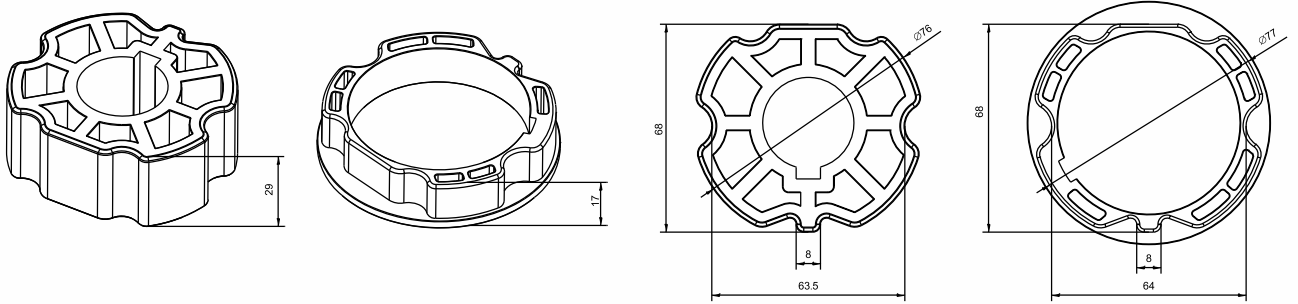


A2506

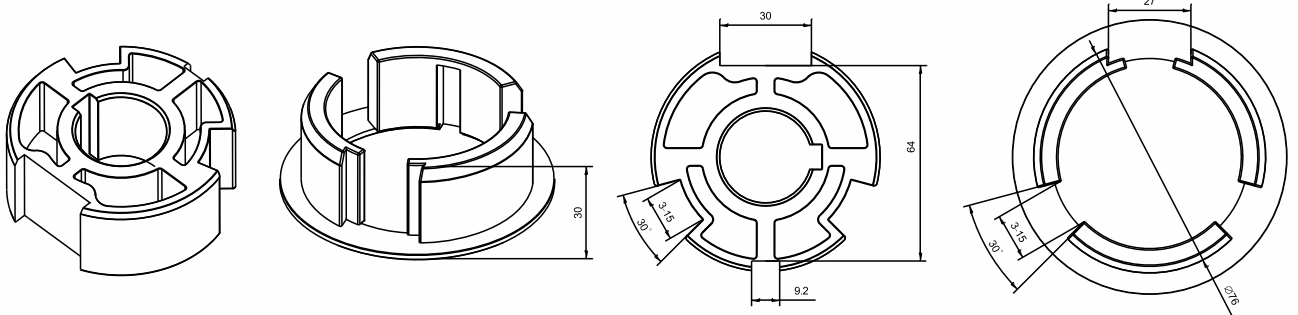


*Measurements listed are in millimeters

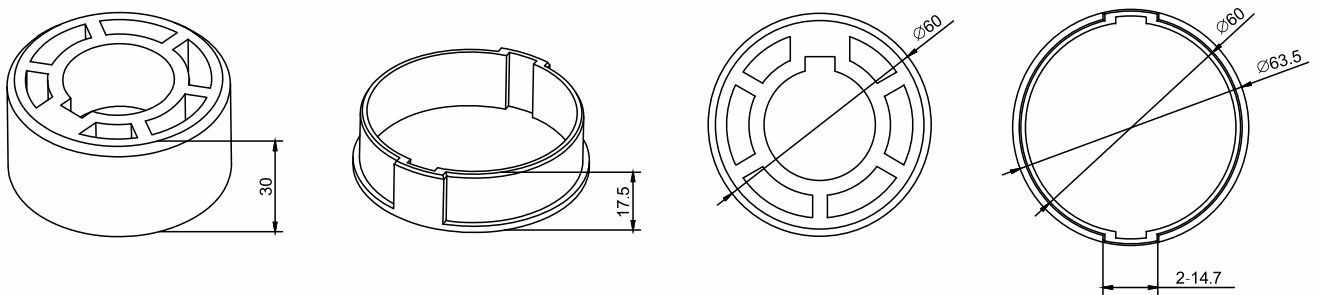
A2508



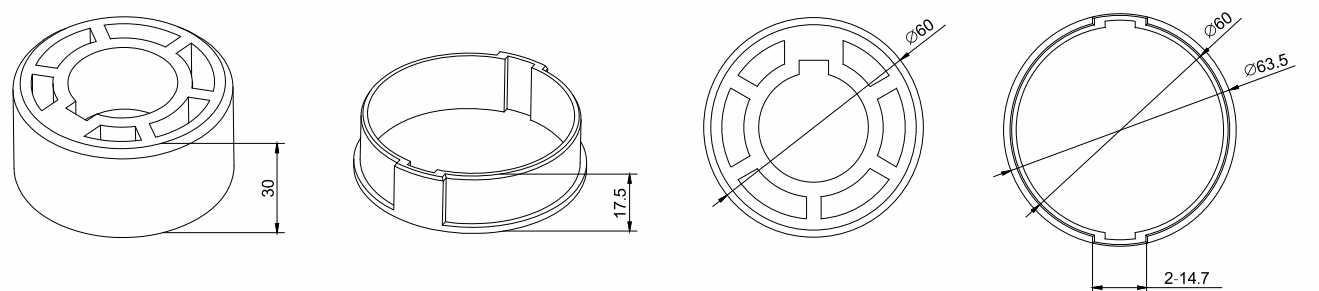
A2509



A2520



A2602



*Measurements listed are in millimeters

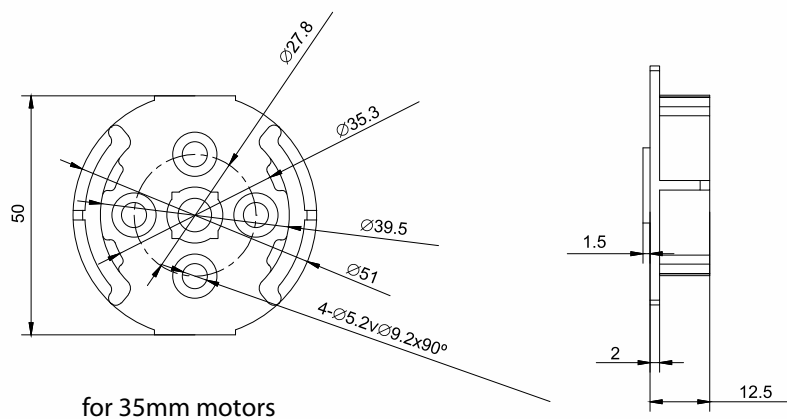
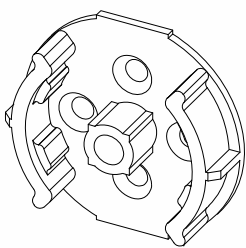
Lots more coming ... We are always adding new crowns and drives to our range.

If you don't currently see a suitable fitting for your tube please contact our team to find out if there is a suitable variant available.

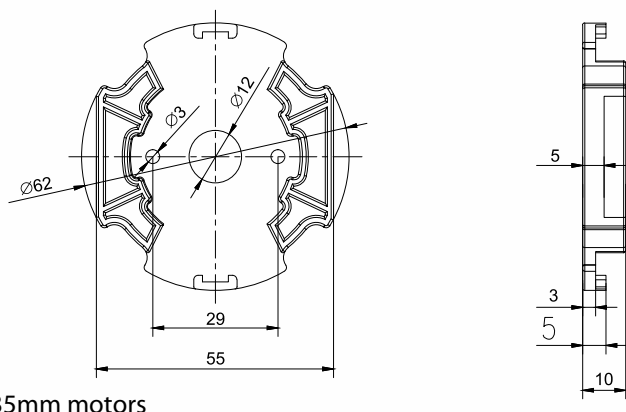
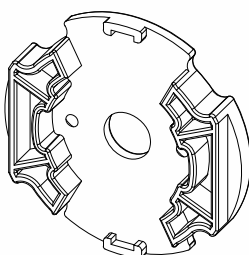
+1 (909) 307-2320

Brackets

A3306

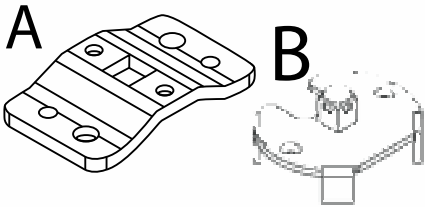


A3422



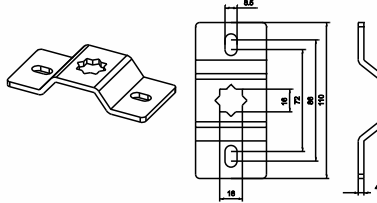
*Measurements listed are in millimeters

A3005



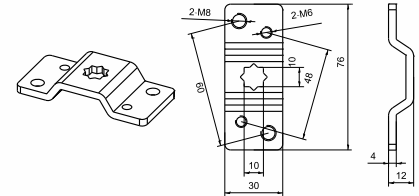
Block and Pin style bracket
Available galvanized or in stainless steel

A3006



plates for 50mm motors
NOTE: For all 50mm motors with 10mm block on end

A3006-2



A3007

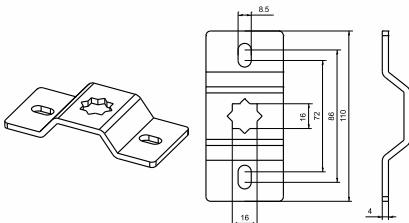


plate for 60mm motors

A3007-4

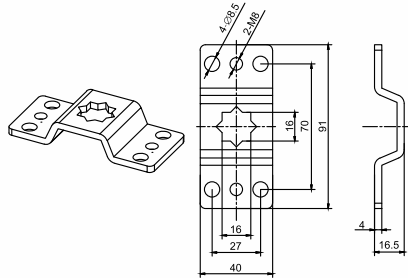
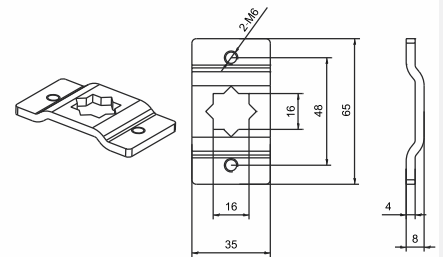


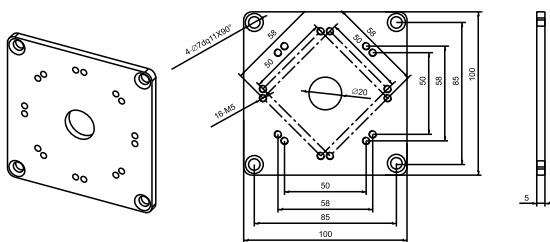
plate for 60mm motors

A3636



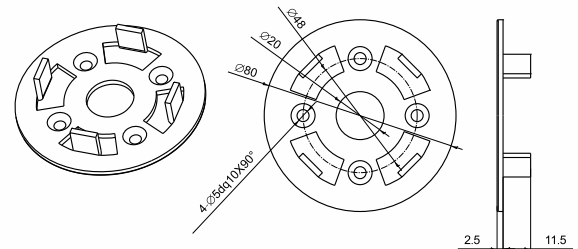
compact plate for 60mm motors

A3402



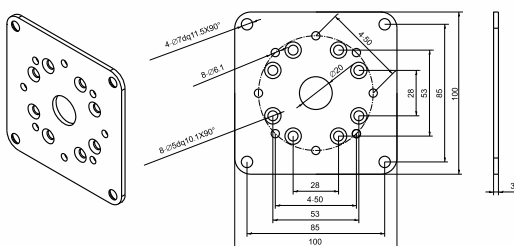
100x100mm plate for manual override motors

A3405



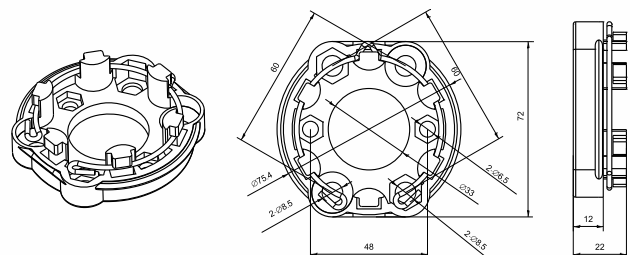
Non lockable bracket for 50mm motors used internally

A3428



Backing plate for star brackets

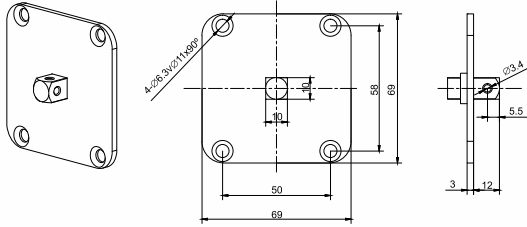
A3440



50mm Star head mounting plate

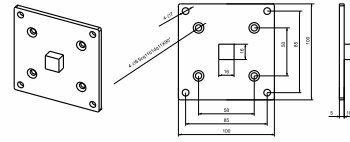
*Measurements listed are in millimeters

A3441



Manual override mounting plate

A3501



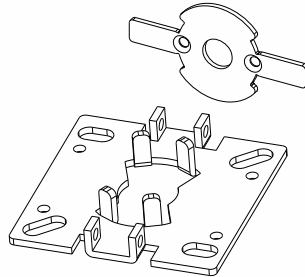
Mounting plate for 60mm manual override motors

A3628



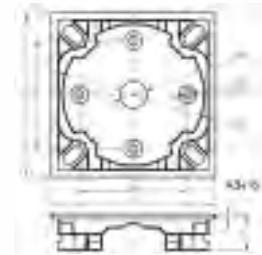
35mm motor plate

A3044



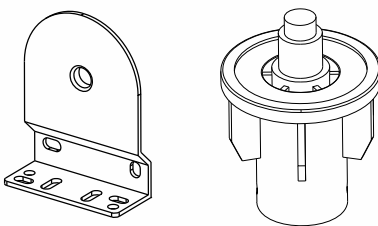
35mm motor plate

A3415

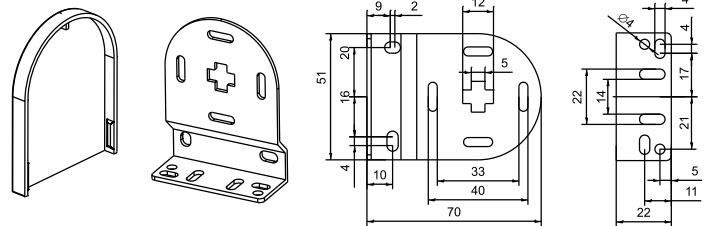


Fast Plug Adapter for 50mm motor plate

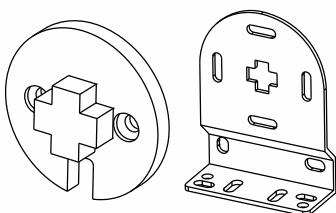
A3202



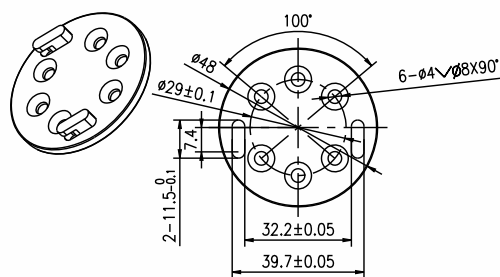
A3203



A3205

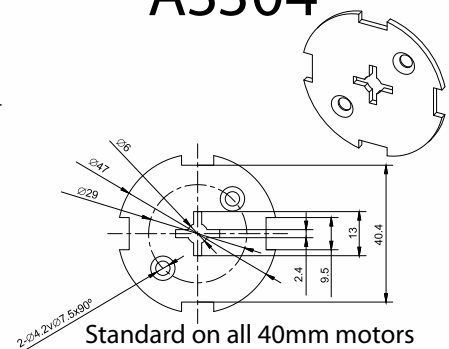


A3207



35mm motor plate

A3304



Standard on all 40mm motors

Molex Cables

AM3CM



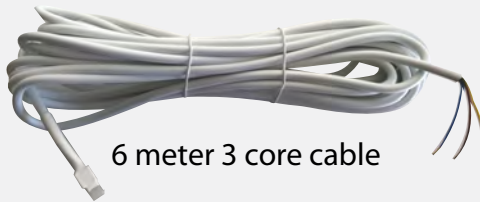
3 meter 3 core cable

AM4CM



3 meter 4 core cable

6M3CM



6 meter 3 core cable

10M3CM



10 meter 3 core cable

WSB11

Limit Setting Device



Specifications

Limit Setting Device Programming Tool

This device is for setting the limits on WSEC series motors.

All buttons are spring loaded so use as a method of powering other motors temporarily while programming is impractical.

WSB12

Test Lead



Specifications

Test Lead

This item allows you run 4 core WSS series motors in either direction while you set limits.

Alternatively you can use it as a temporary means of powering up 3 core remote control motors while you set limits. Switch is locking so it does not need to be held down.

Retractable Awning Motor Guide

Currently Alpha's Retractable Awning Motor offerings are a 50Nm and 100Nm motor.

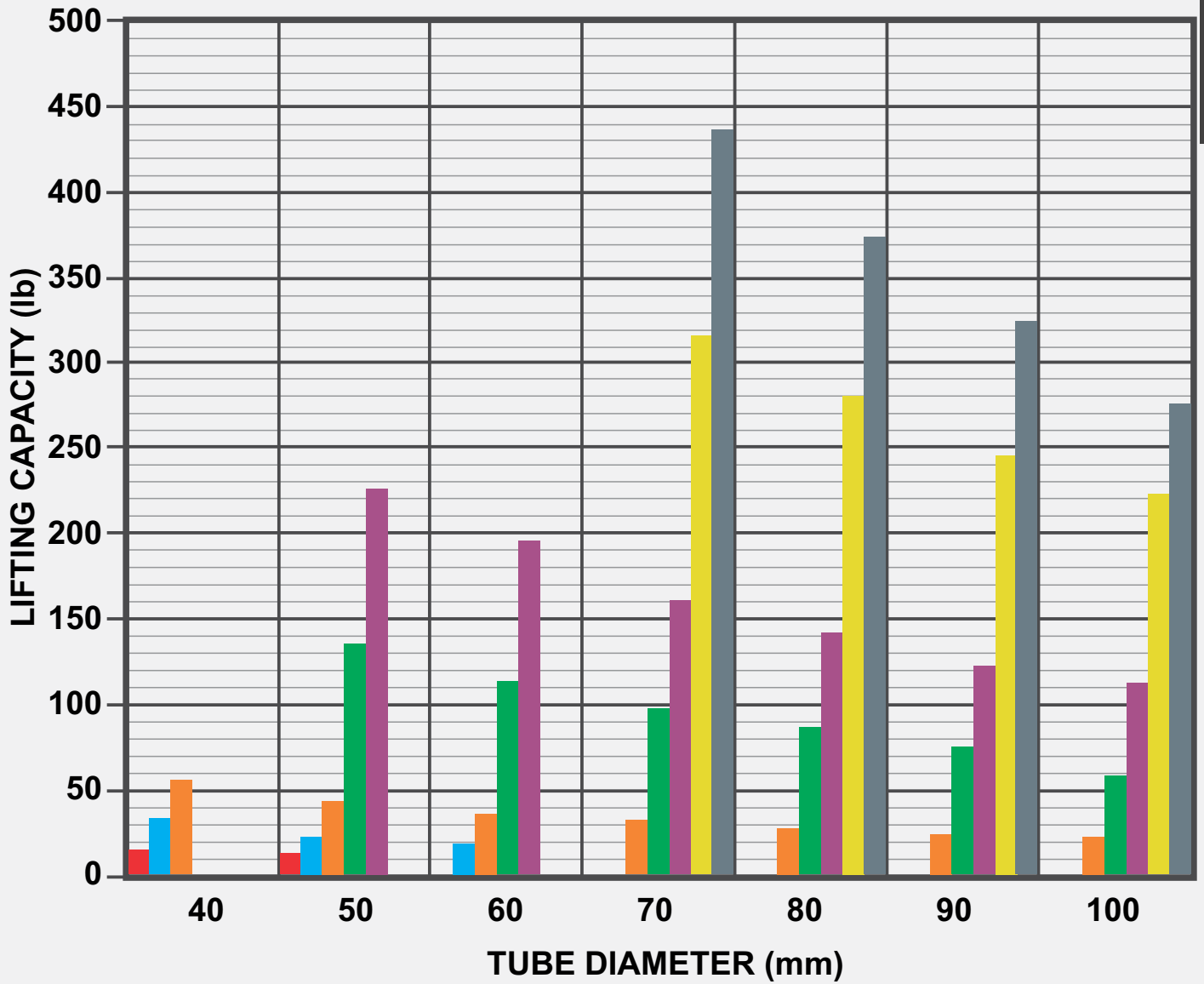
The RED 100Nm listings in the 70mm tube section below indicates that this motor is incompatible with a 70mm tube, due to its physical size.

70MM TUBE

NUMBER OF ARMS	2 ARMS	3 ARMS	4 ARMS
UP TO 5ft PROJECTION	30Nm	30Nm	50Nm
UP TO 6.5ft PROJECTION	30Nm	50Nm	50Nm
UP TO 8ft PROJECTION	30Nm	50Nm	100Nm
UP TO 10ft PROJECTION	50Nm	50Nm	100Nm
UP TO 11.5ft PROJECTION	50Nm	100Nm	100Nm
UP TO 13ft PROJECTION	50Nm	100Nm	100Nm

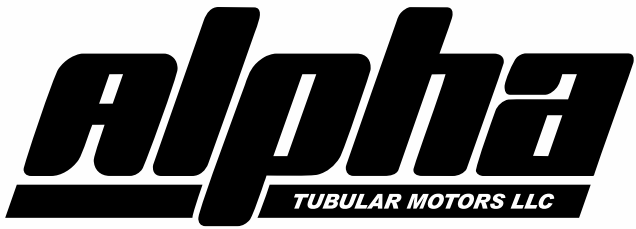
78MM TUBE

NUMBER OF ARMS	2 ARMS	3 ARMS	4 ARMS
UP TO 5ft PROJECTION	30Nm	50Nm	50Nm
UP TO 6.5ft PROJECTION	30Nm	50Nm	100Nm
UP TO 8ft PROJECTION	50Nm	50Nm	100Nm
UP TO 10ft PROJECTION	50Nm	50Nm	100Nm
UP TO 11.5ft PROJECTION	50Nm	100Nm	100Nm
UP TO 13ft PROJECTION	50Nm	100Nm	100Nm



- 2Nm ■
- 6Nm ■
- 10Nm ■
- 30Nm ■
- 50Nm ■
- 100Nm ■
- 140Nm ■

To use this chart, simply find your tube size at the bottom of the chart, find the colour that matches the capacity of your motor and check against the weights on the left side.



MOTORIZATION MADE EASY

USA DISTRIBUTION CENTER

570 NEVADA STREET
SUITE K REDLANDS CA 92373

CANADIAN DISTRIBUTION CENTER

441 CHRISLEA, VAUGHAN
ON L4L 8N4

T 909-307-2320

F 909-307-2322

E SALES@ALPHAMOTORS.NET

W WWW.ALPHAMOTORS.NET

